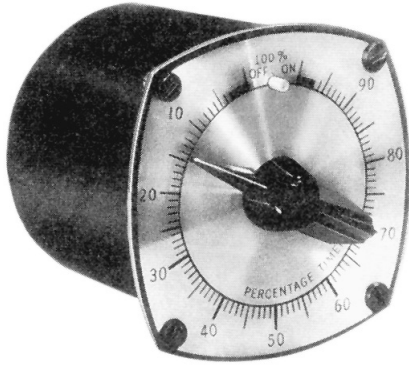


120 VAC  
  
 LISTED  
 7R59  
 Clock Oper. Sw.

  
 240 VAC  
 E104697



## Percentage Timer

### SPECIFICATIONS

<b>TIME RANGES</b>	15, 30, 60 MIN
<b>TIMING MODE</b>	Continuous ON-OFF
<b>RANGE SETTING</b>	3%-97%, Also 100% ON and OFF Points
<b>SETTING ACCURACY</b>	Within 2% of Full Scale
<b>REPEAT ACCURACY</b>	Within 1% of Full Scale
<b>OUTPUT</b>	SPST, 20A, 1/2 HP 120 VAC SPST, 20A, 1 HP 240 VAC
<b>MOTOR VOLTAGES</b>	120 VAC 50/60 Hz., 240 VAC, 50/60 Hz. (50 Hz. Units Will Be 1/6 Slower Than Listed Speeds.)
<b>TERMINATION</b>	Rear Screw Terminals
<b>MOUNTING</b>	Front Panel
<b>TEMPERATURE RATING</b>	32° to 120°F (0° to 50°C)
<b>WEIGHT</b>	1.4 lbs.

### MODEL NUMBER

<b>MODEL</b>	CP	
<b>TIME RANGE</b>	15 minutes	15M
	30 minutes	30M
	60 minutes	60M
<b>VOLTAGE</b>	120 VAC	A
	240 VAC	C

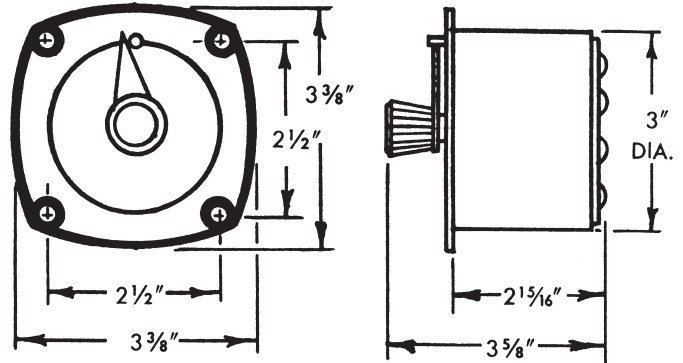
**MODEL EXAMPLE:**  
 CP-15M-A

- Precise Fool-proof Operating Mechanism
- Three Time Ranges from Which to Choose
- Eliminates All Engaging Cams and Latches
- Minimal Panel Space Needed

For continuous ON-OFF control of electrical circuits, the CP Series single circuit repeat cycle timer is a continuous cycling control where the ON or circuit closure time is dial adjusted for a percentage of the total time cycle.

**APPLICATIONS:** Control of pumps, blowers, filters, heating equipment, industrial ovens, laboratory equipment and wherever ON or OFF control is desired as a percentage of the primary fixed total time cycle.

### DIMENSIONS



### WIRING

