

**DESCRIPTION**

Model 425AR digital timer is a multi-function, multi range series. It comes standard with a 4-digit, 7-segment dual LED display. S The unit can be set for up/down counting direction and modes of operation include on-delay, interval, cyclic, forward-pause-reverse, instantaneous contact and delayed batch. The Model 425AR series is available in a 1/16 DIN (48 x 48 mm) housing with 2 SPST (NO) 5a @ 230 vac contacts and a supply operating voltage range of 90 to 270 vac/dc (50/60Hz). The 425AR series is UL approved and CE certified.

**SPECIFICATIONS**

<b>START INPUT</b>	Gate/Pulse start (programmable)
<b>ACCURACY</b>	±0.05% of F.S or 50 msec (F.S.=Full Scale)
<b>RESET</b>	Front, Remote, Power interruption (programmable)
<b>OUTPUT CONTACT</b>	2 SPST (2 NO)
<b>RELAY RATING</b>	5A @ 230V AC
<b>MODES</b>	ON delay / Interval delay Cyclic ON first / Cyclic OFF first Forward-pause-reverse Instantaneous + delayed Batch
<b>TIME RANGES</b>	0-99.99 sec 0-999.9 sec 0-9999 sec 0-99:59 min:sec, 0-999.9 min 0-9999 min 0-99:59 hr:min, 0-999.9 hr 0-9999 hr
<b>COUNTING DIRECTION</b>	Up/Down
<b>MEMORY</b>	10 years
<b>CONFIGURATION LOCK</b>	Password protected
<b>SUPPLY VOLTAGE</b>	90 to 270V AC/DC (50/60Hz) -15% to 10% tolerance
<b>POWER CONSUMPTION</b>	5VA max.
<b>TEMPERATURE</b>	Operating: 0-50°C (32 to 122°F) Storage: -20 to 75°C (-4 to 167°F)
<b>HUMIDITY</b>	95% RH (non-condensing)
<b>WEIGHT</b>	6.2 oz.
<b>PROTECTION LEVEL</b>	IP65 for faceplate

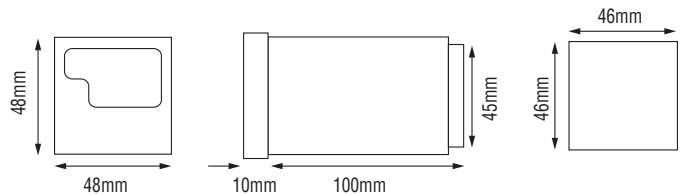
24V AC/DC MODEL AVAILABLE  
Please consult factory



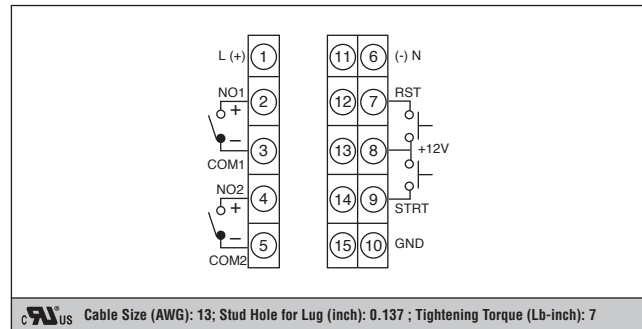
*Multifunction Timer*

- Multifunction - 7 Timing Functions
- 9 Time Ranges
- Dual Display, 4 Digit, 7 segment LED
- LED Status Indicator: Relay Status, Seconds, Minutes, Hours
- 2 Setpoints
- Batch Function

**DIMENSIONS (INCHES/MILLIMETERS)**



**TERMINAL CONNECTIONS**



UL US Cable Size (AWG): 13; Stud Hole for Lug (inch): 0.137 ; Tightening Torque (Lb-inch): 7

**ORDERING INFORMATION**

<b>MODEL NUMBER</b>	<b>SUPPLY VOLTAGE</b>
425AR100T5X	90 to 270 V AC/DC

### TIMING DIAGRAMS

