

Off-Delay DIP Switch TDR

SPECIFICATIONS

TIME DELAY RANGE

A	0.1 to 102.3 SEC in 0.1 SEC Increments
B	1.0 to 1,023 SEC in 1.0 SEC Increments
C	10 to 10,230 SEC in 10 SEC Increments
D	0.1 to 102.3 MIN in 0.1 MIN Increments
E	1.0 to 1,023 MIN in 1.0 MIN Increments

OUTPUT RATING	SPDT 10 A @ 250 VAC or 24 VDC, resistive
	DPDT 5 A @ 240 VAC

ACCURACY	Setting $\pm 2\%$ or ± 50 mSEC; whichever is greater
	Repeat $\pm 0.1\%$ or ± 8.3 mSEC; whichever is greater

RESET TIMES	Before Time Out 100 mSEC
	After Time Out 50 mSEC

SUPPLY VOLTAGE	12, 24, 48, 120 or 240 VAC, 50/60 Hz; or DC; $\pm 10\%$
-----------------------	---------------------------------------------------------

FALSE TRANSFER	No
-----------------------	----

REVERSE POLARITY PROTECTED	Yes
-----------------------------------	-----

POWER REQUIRED	3 VA, approximately
-----------------------	---------------------

DUTY CYCLE	Continuous
-------------------	------------

TEMPERATURE RATING	Operate 32° to 131°F (0° to +55°C)
	Storage -49° to 185°F (-45° to +85°C)

LIFE EXPECTANCY	Mechanical 10 million operations, minimum
	Electrical 100,000 Operations @ rated load

INDICATORS	LED glows when relay is energized.
-------------------	------------------------------------

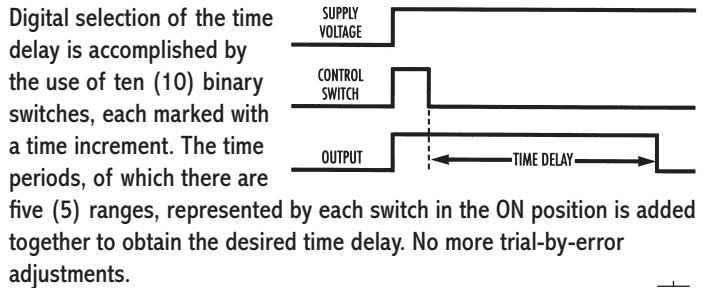
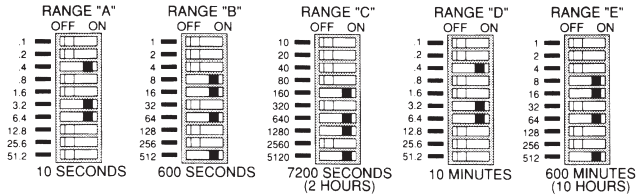
ISOLATION	1,500 volts, input/output
------------------	---------------------------

WEIGHT	0.4 lbs.
---------------	----------

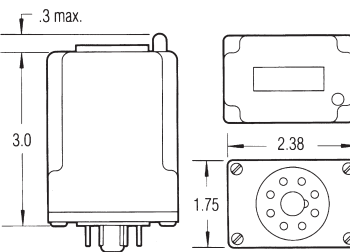
OPERATION

Supply voltage is continuously applied to the input. An external isolated switch between pins 5 and 6 controls the timer. When closed, the relay energizes. Opening the switch initiates the delay period. Upon completion of the delay period, the relay de-energizes. If the control switch recloses during the delay period, the relay remains energized and the timer resets to zero. NOTE: The TBD Series is available in an 8-pin SPDT and an 11-pin DPDT configuration.

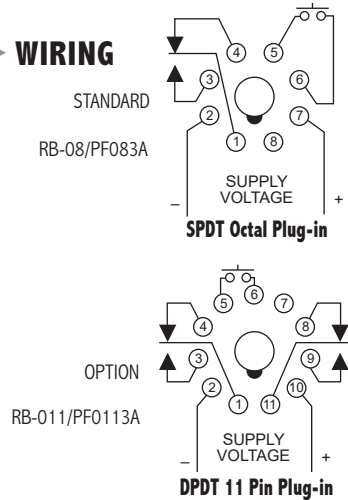
DIP SWITCH OPERATION



DIMENSIONS



WIRING



MODEL NUMBER

MODEL NUMBER	TBD				A	
CONTROL VOLTAGE	12 Volts DC	12	D			
	24 Volts AC/DC	24	A			
	48 Volts DC	48	D			
	120 Volts AC/DC	120	A			
	240 Volts AC	240	A			
TIME DELAY RANGE	0.1 to 102.3 SEC in 0.1 SEC Increments				A	
	1.0 to 1,023 SEC in 1.0 SEC Increments				B	
	10 to 10,230 SEC in 10 SEC Increments				C	
	0.1 to 102.3 MIN in 0.1 MIN Increments				D	
	1.0 to 1,023 MIN in 1.0 MIN Increments				E	
HOUSING					A	
OPTION	DPDT, 5 Amps @ 120 VAC, 11-Pin					D