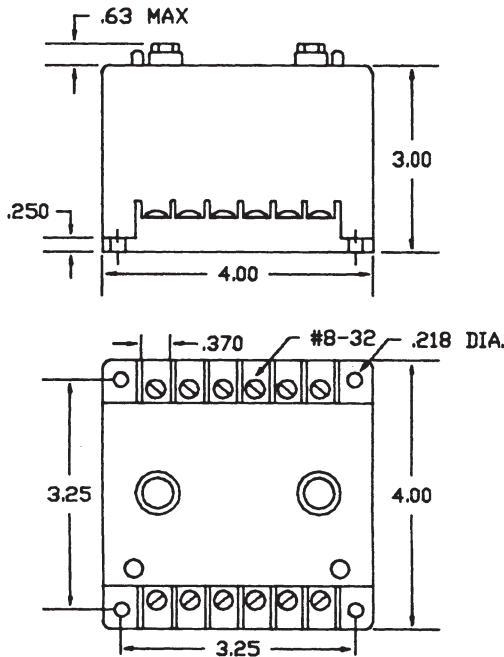
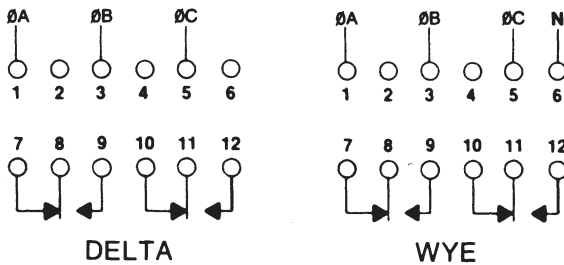


### 3-Phase Voltage Band Monitor

#### DIMENSIONS (INCHES)



#### WIRING



The **PBC Series** offers protection to three-phase equipment that is required to operate between two voltage limits. All three phases are monitored individually for a pre-selected **UNDER** and **OVER VOLTAGE** limit.

#### OPERATION

With normal operating voltages applied, the internal relay will energize (PICK-UP). When the voltages on any or all phases fall outside the pre-set Over/Under trip points for longer than the Release delay, the relay will de-energize (DROP-OUT). When line conditions return to normal, the PBC Series Monitor automatically resets and the internal relay energizes.

The LED fault indicators aid in set up and system trouble-shooting glowing on fault condition. The LED indicators have an immediate response to voltage conditions and operate independently of the relay.

The HYSTERESIS in each unit provides a differential of 4% between the PICK-UP and DROP-OUT trip points.

The PBC Series is UL Listed under UL File Number E55826.

#### SPECIFICATIONS

<b>OUTPUT RATING</b>	DPDT, 10Amps @ 240 VAC, Resistive; 360 VA @ 600 VAC, Inductive; 1/2 hp	
<b>POWER REQUIRED</b>	Models Up to 300 VAC	7 VA, Max
	Models Over 300 VAC	6 VA, Max
<b>RESET</b>	Automatic	
<b>HYSTERESIS</b>	4%	
<b>REPEAT ACCURACY</b>	0.1% @ Fixed Condition	
<b>INDICATORS LED</b>	Glow On Fault; (1) For Over, (1) For Under	
<b>RESPONSE TIMES</b>	Operate	100 mSEC
	Release	0.5 SEC
<b>TEMPERATURE RATING</b>	Operate	32° to +131°F (0° to +55°C)
	Storage	-49° to 185°F (-45° to +85°C)
<b>WEIGHT</b>	20 oz.	

#### DELTA CONNECTED

MODEL NUMBER	MAXIMUM VOLTAGE	ADJUSTABLE RANGES	
		UNDER	OVER
PBC-120-ALE	155 VAC	90-120	120-150
PBC-230-ALE	275 VAC	185-240	208-265
PBC-400-ALE	485 VAC	325-385	415-475
PBC-440-ALE	550 VAC	390-480	440-540
PBC-480-ALE	570 VAC	400-490	460-560
PBC-575-ALE	700 VAC	500-610	540-690

All voltages referenced on this page are phase-to-phase, unless otherwise indicated.

#### WYE CONNECTED

MODEL NUMBER	MAXIMUM VOLTAGE	ADJUSTABLE RANGES (Phases to Neutral)	
		UNDER	OVER
PBC-120/208-ALE	268 VAC	90-120	120-150
PBC-220/380-ALE	450 VAC	185-220	220-255
PBC-277/480-ALE	565 VAC	235-277	277-320

All voltages referenced on this page are phase-to-phase, unless otherwise indicated.