

OPERATION

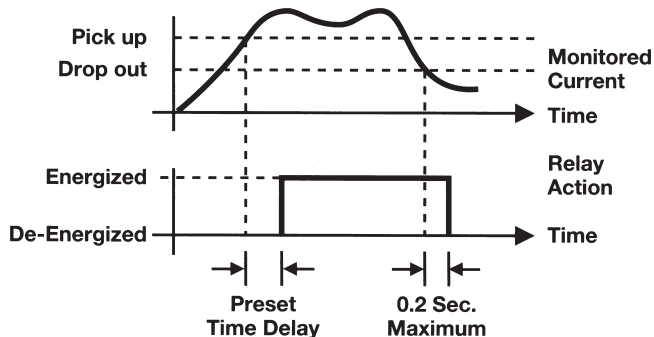
The **CMO Series** is used to detect **OVER CURRENT** conditions. The internal relay energizes (Pick-up) when the monitored current exceeds the preset trip point for longer than the adjustable time delay. The delay is incorporated to prevent nuisance tripping caused by motor inrush currents. The CMO has an automatic reset feature. The internal relay de-energizes (Dropout) when the current drops 5% below the preset trip for longer than 0.2 seconds.

An External CT may be used to extend the range of the Current.

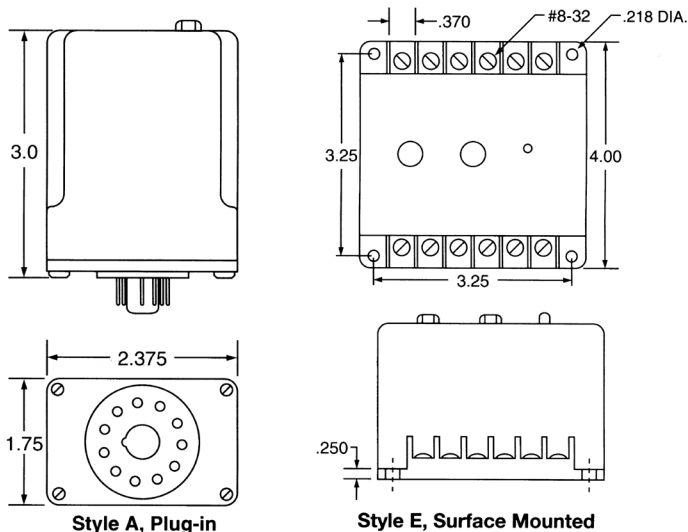


AC Over Current Monitor/Relays

CMO



DIMENSIONS (INCHES)



SPECIFICATIONS

CONTROL VOLTAGE	24 or 120 VAC/DC; 50/60 Hz	
TRIP POINTS	Pick-up	See order information
	Drop-out	5% below Pick-up
OUTPUT	DPDT, 10 Amps @ 120 VAC, Resistive	
HYSTERESIS	5%	
RESPONSE TIME	Operate	0.1 to 5 SEC, Adjustable
	Release	0.2 SEC
INDICATOR	LED Glows On Over Current (Style "E" Enclosure Only)	
SOCKET	RB-11 Socket for Style A.	
RESET	Automatic	
TEMPERATURE RATING	Operate	32° to 131°F (0° to +55°C)
	Storage	-49° to 185°F (-45° to +85°C)
ENCLOSURE	Style A	Lexan Dust Cover; 11-pin Plug-in
	Style E	Lexan Surface Mounted: #8-32 Screw Terminals
WEIGHT	Style A: 5 oz. Style E: 13 oz.	

MODEL NUMBER

MODEL NUMBER	CMO	120	A	S		
---------------------	-----	-----	---	---	--	--

CONTROL VOLTAGE	24 or 120 VAC/DC; 50/60 Hz
------------------------	----------------------------

TYPE OF CONTROL VOLTAGE	AC/DC
--------------------------------	-------

ENCLOSURE STYLE	Plug-In	A
	Surface Mount	E

CURRENT TRIP POINTS	0.05 to 0.25 amp adj.	.25
	0.2 to 1 amp adj.	1
	1.0 to 5.0 amps adj.	5
	2.0 to 10 amps adj.	10
	4.0 to 20 amps adj. (E Housing Only)	20

WIRING

