



3-Phase Current Unbalance & Over Current Monitor

SPECIFICATIONS

OPERATING VOLTAGE	3-Phase, 50/60 Hz, 600 V max	
CONTROL VOLTAGE	120 VAC, 50/60 Hz	
OVER CURRENT	See Table for Adjustable Ranges	
UNBALANCE RANGE	5% to 25%, Adjustable	
INRUSH DELAY	0.1 To 10 SEC, Adjustable; Initiated When Current of Any Phase rises 20% Above the Max. Operating Current	
OUTPUT	SPDT, 10 amp @ 240 VAC Resistive	
HYSTERESIS	2% of Unbalance Setting	
RESPONSE TIME	Operate	1 Second, Max.
	Release	100 mSEC
INDICATOR	LED Glow When All Conditions Are Normal	
RESET	Automatic or Manual	
TEMPERATURE RATING	Operate	32° to 131°F (0° to +55°C)
	Storage	-49° to 185°F (-45° to +85°C)
WEIGHT	13 oz.	

MODEL NUMBER	CONTROL RANGE	OVER CURRENT RANGE
CLB-120-ALE-5	120 VAC	1.0 to 5.0 amps, Adjustable
CLB-120-ALE-10	120 VAC	2.0 to 10 amps, Adjustable

OPERATION

The **CLB Series** is designed to protect three phase equipment against **CURRENT UNBALANCE** and **OVER CURRENT** conditions.

The control voltage is continuously applied to supply the sensing circuitry and the internal relay. When the current of any phase approximately 20% above the maximum operating current, the inrush delay begins. This delay disables the over current sensors while high inrush currents are present. Any time the currents are outside the preset limits after completion of the inrush delay, the internal relay will de-energize (Drop-out). An External CT may be used to extend the range of the current monitor.

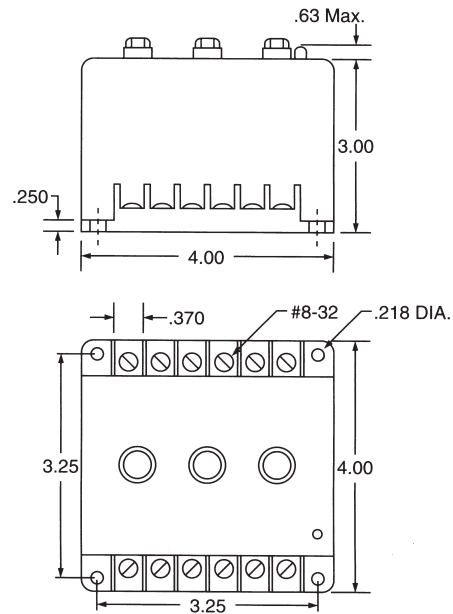
A 2% differential (hysteresis) between Pick-up and Drop-out is incorporated to prevent chattering when operated in the automatic reset mode and the current is at the trip point.

The reset mode is selected as follows:

AUTOMATIC: Place a jumper between pins ten (10) and eleven (11).

MANUAL: Place a normally open switch between pins ten (10) and eleven (11). When there is a loss and reapplication of the control voltage, the external switch must be closed before the circuit will again become operative.

DIMENSIONS (INCHES)



WIRING

