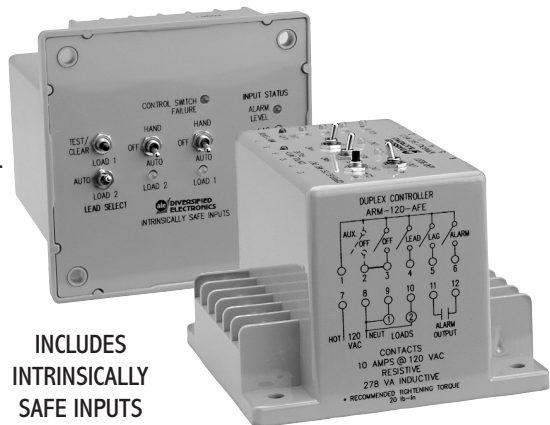




Process Control Equipment for Hazardous Locations
7M26
UL913



INCLUDES INTRINSICALLY SAFE INPUTS

**Integrated Duplex Controller
SOSO Operation
(Sequence-on, Simultaneous-off)**

The **ARM Series** Alternating Relay is a **microprocessor-based controller** designed for use in dual load installations to assure equal run time on each load. LED indicators show the status of the unit's five intrinsically safe control switch inputs, one alarm, and two load outputs. H-O-A switches, a lead select switch, and a test/clear button are provided for manual control. The ARM Series reduces the number of components required for this application by combining many functions into one unit.

TWO PUMP SEQUENCING: Evenly distributes run time by automatically alternating lead and lag load designations when the off control switch input opens.

UL913 INTRINSICALLY SAFE: Control switch inputs are low voltage/low current and are electronically isolated from the control voltage and load alarm contacts.

H-O-A Switches: Hand-Off-Automatic switches allow for manual operation.

LEAD SELECT SWITCH: Disables the automatic sequencing function and allows loads to be locked into the 2-1 or 1-2 sequence.

CONTROL SWITCH FAULT DETECTION: Unit detects open and shorted control switch failures.

TEST/CLEAR SWITCH: Verifies function and resets the control switch fault detection algorithm.

ALARM OUTPUT: Alarm contacts close when a control switch fails or the system's capacity is exceeded.

INRUSH CURRENT DELAY: Reduces line sags by preventing both loads from energizing simultaneously.

VERSATILE MOUNTING: Two (2) mounting configurations are available. The standard surface mount has top access to controls and indicators and is intended for back panel mounting. The panel mount option is intended for front panel or door cutout access to controls and indicators.

SPECIFICATIONS

| | | | |
|---------------------------|--|-------------------------------|------------------------|
| CONTROL VOLTAGE | 24 or 120 VAC ±10%, 50/60 Hz | | |
| CONTROL SWITCH | Open Circuit Voltage | 5 VDC | |
| | Short Circuit Voltage | 0.1 mA | |
| POWER REQUIRED | 4 VA Maximum | | |
| DUTY CYCLE | Continuous | | |
| RESPONSE | Power Up | 3 SEC. ±5% | |
| | Inrush Current | 5 SEC. ±5% | |
| CONTACT RATING | (3) SPST-N.O. 10 Amp Resistive, 1/4 hp, 55 VA Inductive @ 24 VAC, 278 VA Inductive @ 120 VAC | | |
| LED INDICATORS | Designation | Color | State Condition |
| | Level/Alarm | Red | ON cs5 Closed |
| | Lag | Green | ON cs4 Closed |
| | Lead | Green | ON cs3 Closed |
| | Off | Green | ON cs2 Closed |
| | Aux. Off | Green | ON cs1 Aux./cs2 Closed |
| | Load 1 | Green | ON Load ON |
| | Load 2 | Green | ON Load ON |
| | Ctrl. Switch | Red | ON Failure Open/Closed |
| LIFE EXPECTANCY | Mechanical | 10 Million Operations | |
| | Electrical | 50,000 @ Rated Load | |
| TEMPERATURE RATING | Operate | -4° to 131°F (-20° to +55°C) | |
| | Storage | -40° to 185°F (-40° to +85°C) | |
| TERMINATIONS | (12) #8-32 Screw Terminals | | |
| WEIGHT | 16 oz. | | |

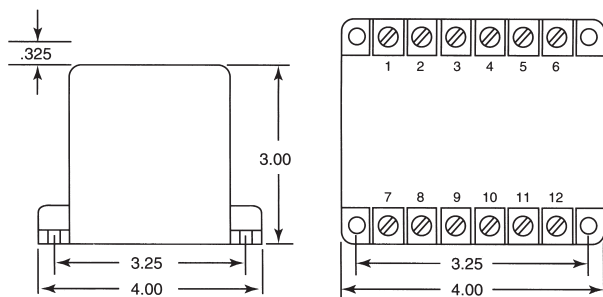
ORDERING INFORMATION

| MODEL NUMBER | CONTROL VOLTAGE | MOUNTING | COMMENTS |
|---------------|-----------------|----------|---|
| ARM-XXX-AFE* | 24 or 120 VAC | Surface | Standard |
| ARM-XXX-AFEP* | 24 or 120 VAC | Panel | Standard |
| ARM-2003 | 120 VAC | Surface | Special: w/o H-O-A switches |
| ARM-2010 | 120 VAC | Panel | Special: w/o H-O-A switches |
| ARM-2011 | 120 VAC | Surface | Special: w/o Control switch failure feature |

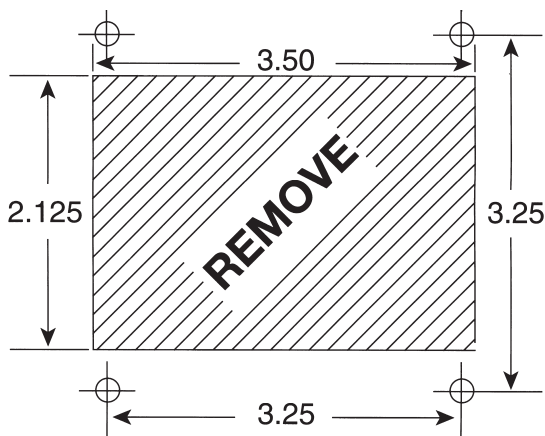
*Replace XXX with desired control voltage (24, 120)

The ARM Series is UL Listed under UL File Number E151578.

DIMENSIONS (INCHES)



*Panel Mount Cutout



*Greenlee punch #60071 or equivalent

OPERATION

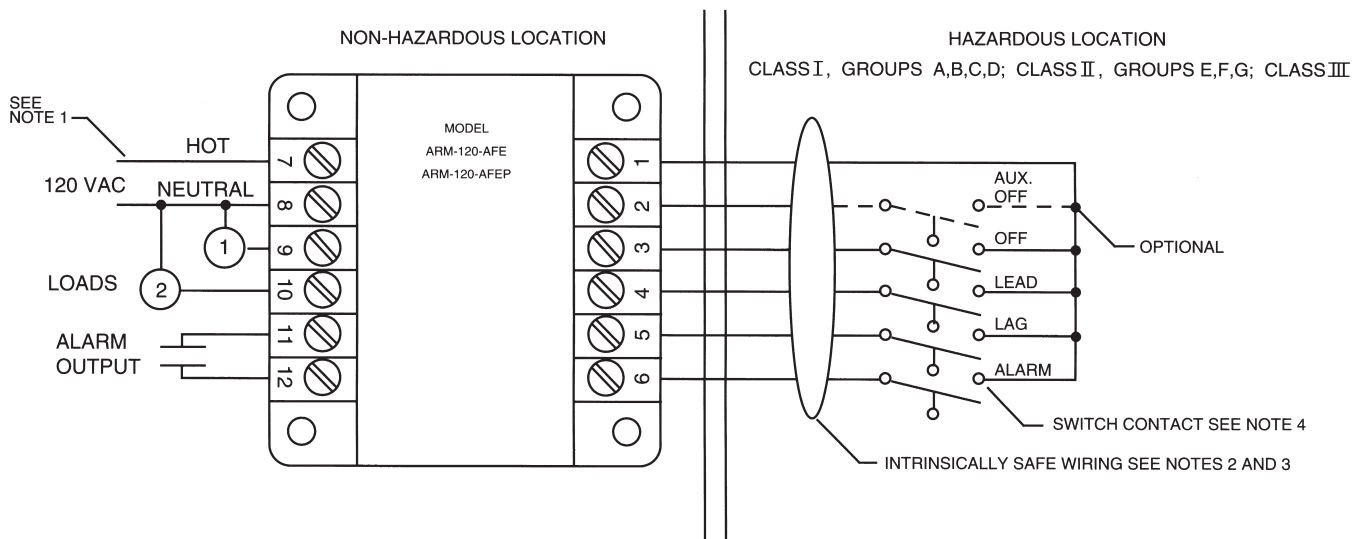
FOUR CONTROL SWITCHING: Do not remove factory-installed jumper between terminals 2 and 3. The control switches connected to terminals 3 through 6 are labeled OFF (CS2), LEAD (CS3), LAG (CS4) and ALARM (CS5). Under normal operation the lead load energizes when the off and lead control switches close in order. The lag load energizes when the lag closes and the alarm load energizes when the alarm switch closes. When all four switches reopen in the proper order all outputs are de-energized and the lead/lag output designations reverse.

FIVE CONTROL SWITCHING: Remove factory installed jumper between terminals 2 and 3. After the jumper has been removed, the additional control switch is connected to terminal 2. The extra switch functions as an AUXILIARY OFF (CS1) switch. It is used to prevent loads from running continuously if the primary OFF (CS2) switch fails to open properly.

FAULT DETECTION ALGORITHM: If any of the control switches open or close out of order, the alarm output energizes and a fault detection algorithm is used to identify the faulty switch. The faulty switch is then ignored and the OFF, LEAD, and LAG control switch designations are altered to maintain safe operation.

WIRING

CONTROL DRAWING 190



1. To maintain intrinsic safety, connect the Controller's Earth Ground Terminal 8 to the earth ground of the AC Power Supply feeder. The resistance between the Controller's Earth Ground Terminal and Earth Ground shall be less than 1 ohm.
2. Maximum distance between Controller and switch contact is 1000 feet.
3. All intrinsically safe wiring shall be separated from non-intrinsically safe wiring. Refer to article 504 of the National Electrical Code ANSI/NFPA 70 on procedures for intrinsically safe wiring.
4. Switch contact shall be any non-energy storing or generating mechanical switch type device containing no capacitance or inductance.
5. Connections to terminals 5, 6, 9, 10, 11, and 12 are optional. If the Aux. Off switch is omitted, terminals 2 & 3 must be jumpered.