

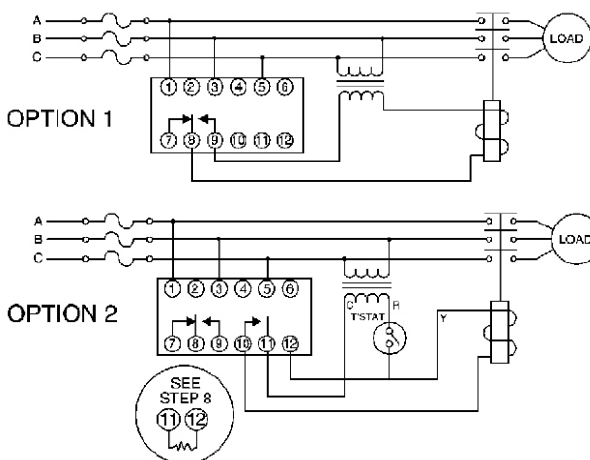
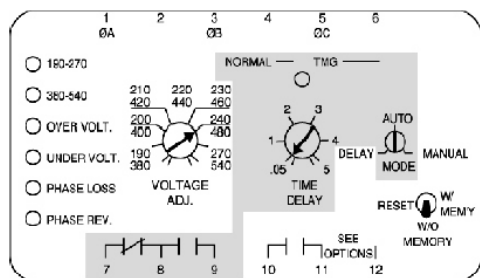
**CAUS**  
E55826

## 3-Phase Compressor Protector

- Automatic Voltage Ranging
  - Universal Control Voltage
  - Condition/Fault Indicators
  - Automatic/Manual Reset
  - Last Fault Memory
  - Delay-On-Make
  - Delay-On-Break
  - Auxiliary Contacts
  - Easy Installation
- PROTECTS AGAINST:**
- Phase Loss
  - Under Voltage
  - Over Voltage
  - Phase Reversal
  - Short Cycling

### ORDERING INFORMATION

MODEL NUMBER	DESCRIPTION
AC-2020	3-Phase Compressor Protector



\*See instruction Manual for more information.

The **AC 2020 Compressor Protector** provides multimode **time delays**, **reset** selections and a **memory capability** which indicates using LED's, the last fault condition. This offers not only protection for the compressor in adverse electrical conditions but also a method to readily determine the type of fault occurrence.

### OPERATING VOLTAGE

#### AUTO RANGES

240 VAC	190-270 VAC, Adj., 50/60 Hz
480 VAC	380-540 VAC, Adj., 50/60 Hz

### SPECIFICATIONS

**CONTROL VOLTAGE** 24 or 120 VAC  $\pm 10\%$ , 50/60 Hz

<b>TRIP POINTS</b>	Under Voltage	-10% of Setting
	Over Voltage	+10% of Setting
	Hysteresis	5% of Nominal Setting

<b>RESPONSE TIMES</b>	Pick-Up	Auto Mode: 0.05 to 5 Min. (Adj) Delay-On-Make Delay Mode: 3 Min. (Fixed) Delay-On-Break
	Drop-Out	Over/Under Voltage, Phase Loss: 2 SEC (Approximately)

**POWER REQUIRED** <5 VA

**MAXIMUM VOLTAGE** 550 VAC

**PHASE SEQUENCE** ABC (Will Not Operate On CBA Sequence)

**OUTPUT RATING** 9A General Purpose B300 (360VA)

**CONFIGURATION** Control SPST-N.O.  
Auxiliary SPDT

**MODE SELECTIONS** Automatic; Manual; Delay-On-Break

**RESET SWITCH** With Memory, Without Memory, Auto Reset, Manual Reset

**TRANSIENT WITHSTAND** 1500 V @ 8X 20 Microseconds

**TEMPERATURE RATING** Operate -4° to 131°F (-20° to +55°C)  
Storage -40° to 185°F (-40° to +85°C)

**ENCLOSURE** Style "E" Lexan® Surface Mounted

**TERMINATIONS** (12) #8-32 Screw Terminals

**WEIGHT** 6 oz.