



MD-1002 (FG5969-49BL) Landscape Wall Mount Touch Panel

Overview

The MD-1002 / 10.1" Modero G5 Wall Mount Touch Panel is a premium user interface that includes the G5 graphics engine and delivers superior performance. Designed for dedicated room control or scheduling, this elegantly-styled touch panel provides fast and smooth animations and transitions, along with a quad-core processor that provides more than enough processing power to run the most demanding applications today and in the future. The MD-1002 also includes a built-in web browser and document viewers, enabling users to access real-time information during meetings or lectures. CloudworX Manager allows the user to configure and deploy large numbers of devices simultaneously, either locally or remotely.

The MD-1002 is built for usability, offering edge-to-edge capacitive touch glass with multi-touch capabilities. The distinctive appearance will complement even the most sophisticated meeting facilities and homes, with a variety of mounting options for added security and convenience.

Common Applications

- The MD-1002 is ideal for boardrooms, conference rooms or auditoriums where a premium control surface is needed to provide access to multiple functions simultaneously while remaining elegantly unobtrusive.
- In Higher Education, the MD-1002 is ideal for lecture halls, auditoriums, performing arts theaters and boardrooms that require extensive control capabilities.
- In residences, it is perfect for kitchens, bedrooms or home offices where it can be used to manage systems throughout the home.
- This device can be used as a scheduling panel for high-end meeting rooms and auditoriums and is mass configurable and deployable through CloudworX Manager.
- All Modero Series Wall Mount panels are ideal for reception areas or other gathering places where master calendars can be displayed along with streamed information from the web like weather and stock quotes.

Features

- **G5 Graphics Engine and Quad Core Processing** – The most powerful processing in the industry delivers smooth gesturing, swiping, dynamic reordering, enhanced animation with transitions all at higher speeds for an experience any user will enjoy.

- **Simple configuration in Two Operating Modes** – Select either Modero G5, commissioned with template-based Rapid Project Maker (RPM) or full-custom TPDesign5, or Acendo Book, a curated scheduling panel experience for Microsoft Exchange, Office 365, and Google Calendar.
- **Simplified Enterprise Touch Panel and Firmware Updates** – Deploy and update touch panel files and firmware files from a network URL for simplified company-wide updates.
- **Built-in Web Browser and Content Viewers** – Conveniently simplifies accessing and presenting real-time content and documents during meetings. Simply preview files accessed via the native web browser, USB, or cloud storage apps. Easily update or disable apps using the onboard G5 App Update Manager.
- **Adjustable Security Modes** – With the ability to select from high security or custom modes, administrators can customize the panel's security levels for access, networking and communication.
- **Enhanced User Experience** – The Modero Series features intuitive UI functionality including: gesturing, swiping, dynamic reordering and enhanced animation capabilities.
- **Numerous Mounting Options** – Includes Drywall mount, while optional mounts are available including Rough-In Box, smooth surface mounting such as glass or stone with Multi-Mount Kit, gang box mounting with Any Mount Kit, and Rack Mount Kit.
- **View and Select Dynamic Data with Listview Buttons** – Display a listing of entries generated by a dynamic data source (e.g. phonebook contacts, call logs, RSS feed or other real time data sources) enabling the user to scroll or search to make a selection. Demos are available in the UI Resource Center.
- **Configuration and Deployment** – Instead of configuring one-by-one, CloudworX Manager allows large numbers of devices to be configured simultaneously, either locally or remotely.

Specifications

TOUCH SCREEN DISPLAY	
Display Type	TFT Active Matrix Color LCD
Display Size (WH)	Landscape: 9.9" x 6.7" (252 mm x 170 mm) 12" (304 mm) diagonal
Viewable Area (WH)	Landscape: 8.5" x 5.3" (217mm x 136mm) 10.1" (257mm) diagonal
Resolution (WH)	Landscape: 1280x800, Portrait: 800x1280
Aspect Ratio (WH)	Landscape: 16:9, Portrait: 9:16
Brightness	400 cd/m2
Contrast Ratio	700:1
Color Depth	16.7M colors
Illumination	LED
Touch Overlay	Projected Capacitive, multi-touch support, 3 simultaneous max
Viewing Angle	Vertical $\pm 89^\circ$, Horizontal $\pm 89^\circ$

MEMORY	
SDRAM	2 GB
Flash	16 GB
Maximum Project Size	12 GB flash, available for apps and touch panel files

COMMUNICATIONS	
Ethernet	10/100 Auto MDI-X port, RJ-45 connector. Supported IP and IP-Based Protocols: UCP, TCP, ICMP, ICSP, IGMP, DHCP, SSH, FTP, DNS, RFB (for VNC), HTTP
USB	(1) USB host 2.0, Type A ports (1 with limited physical access requiring right angle connection): Firmware upgrade, touch panel file transfer, document and image viewing, HID peripherals
Bluetooth	Mouse/Keyboard: HID Profile v1.1 (requires external USB-BT adapter)

VIDEO	
Supported Video Codecs	MPEG-2-TS: MPEG-2 Main Profile @ High Level up to 720p at 25 fps (decode only) MPEG-2-TS: H.264 High Profile @ Layer 4, AAC-LC up to 720p at 25 fps (encode/decode) MJPEG up to 720p at 25 fps (decode only)
Supported Video Transport Streams	MPEG-TS for MPEG-2 and H.264; HTTP for MJPEG
Max Number of Active Video Streams	Two decode plus one encode
Video Conferencing	Skype

AUDIO	
Microphone	-42 dB +- 3 dB sensitivity FET microphone
Speakers	4 ohm, 2 Watt, 300 Hz cutoff frequency
Supported Audio Codecs	MP2 Layer I and II, MP3 (8 kHz, 11.025 kHz, 12 kHz, 16 kHz, 22.05 kHz, 24 kHz, 32 kHz, 44.1 kHz, 48 kHz) AAC-LC (8 kHz, 96 kHz) G.711 with μ Law (VoIP encode/decode at 8kHz)
File Formats	WAV, MP3 (as part of touch panel file only - no USB storage)
Intercom	Full Duplex VoIP, SIP v2.0

GRAPHICS ENGINE	
AMX G5	G5 enhanced feature set supporting multi-touch and gestures, scrolling, transitions, applications - See TPD5 Operations Guide for more information

EMBEDDED APPLICATIONS	
Viewer Applications	PDF, JPEG, BMP, PNG, TIFF, GIF, PowerPoint, .doc, .docx, .xls, .xlsx, .ppt, .pptx
Remote Management	VNC Server
Video Conferencing	Skype
Audio Conferencing	Audio (full duplex intercom)

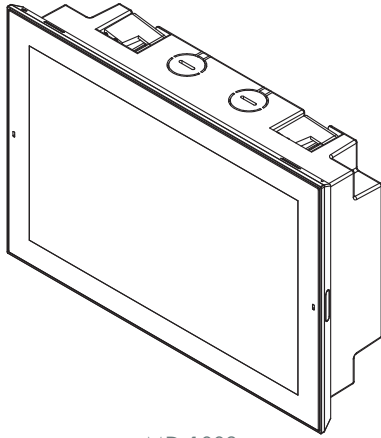
FRONT PANEL COMPONENTS	
Sleep Button	Sleep button to activate sleep mode and powering off. Also provides access to setup pages (can be disabled)

CONNECTIONS	
Ethernet	10/100 Auto MDI-X port, RJ-45 connector
USB	(1) USB host 2.0, Type A ports
Power	PoE (Power over Ethernet), 802.3af, class 3

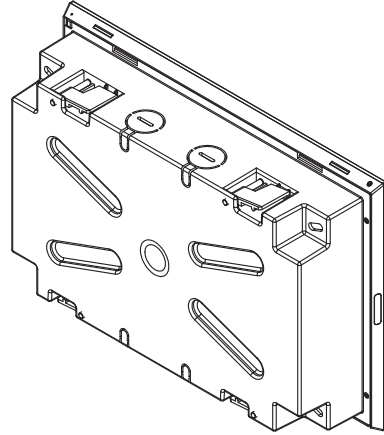
ENVIRONMENTAL	
Temperature (Operating)	32° F to 104° F (0° C to 40° C)
Temperature (Storage)	4° F to 140° F (-20° C to 60° C)
Humidity (Operating)	20% to 85% RH
Humidity (Storage)	5% to 85% RH
Power ("Heat") Dissipation	On: 44.2 BTU/hr Standby: 19.8 BTU/hr

GENERAL	
Dimensions (HWD)	Landscape: 6.8" x 10" x 2.36" (173mm x 255mm x 60mm)
Weight	2.55 lbs (1.16 Kg)
Power Consumption	Full-On: 12.95 W maximum Standby: 5.8 W Shutdown 1 W
Start-Up Inrush Current	Not applicable due to PoE standard
External Power Supply Required	AMX recommends using one of these AMX approved PoE power supplies (not included): <ul style="list-style-type: none"> • PS-POE-AF-TC, PoE Injector, 802.3AF Compliant (FG423-83) • NXA-ENET8-POE+, Gigabit PoE Ethernet Switch (FG2178-64)
Regulatory Compliance	FCC Part 15 Class B C-Tick CISPR 22 Class B CE EN 55022 Class B and EN 55024 CB Scheme IEC 60950-1 IC IEC/EN-60950 UL 60950-1 RoHS/WEEE compliant
Included Accessories	<ul style="list-style-type: none"> • Installation Template, 10" (68-2265-03) • Backbox, Wall Mount, 10i (60-2265-44)" • MXA-USB-C, USB Port Cover Kit, Modero X/S Series Touch Panel (FG5968-18) • MXA-CLK, Modero X/S Series Cleaning Kit (FG5968-16)

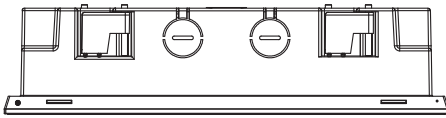
Optional Accessories	<p>MOUNTS</p> <ul style="list-style-type: none">• CB-MSA-10, Rough-In Box and Cover Plate, for Modero 10" Wall Touch Panel (FG2265-08)• MSA-MMK2-10, Multi Mount Kit, for Modero 10" Wall Touch Panel (FG2265-21)• MSA-AMK2-10, Any Mount Kit, for Modero 10" Wall Touch Panel (FG2265-36)• MSA-RMK-10, Rack Mount Kit, for Modero 10" Wall Touch Panel (FG2265-14) <p>VIDEO</p> <ul style="list-style-type: none">• MXA-MPL, Modero Series Multi Preview Live (FG5968-10)
----------------------	---



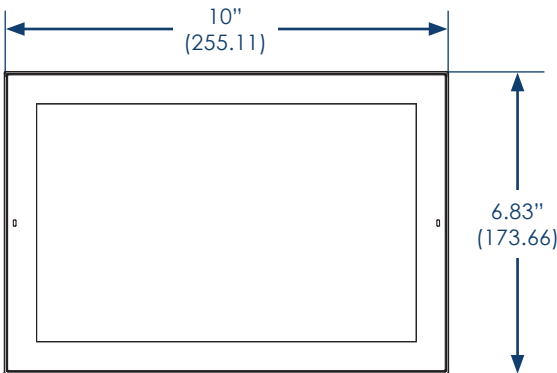
MD-1002
(Isometric View)



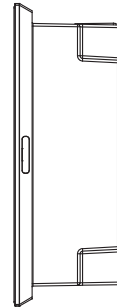
MD-1002
(Isometric View)



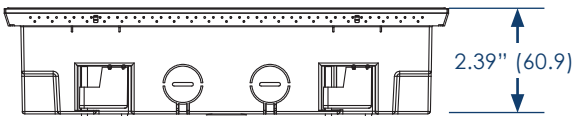
MD-1002
(Top View)



MD-1002
(Front View)



MD-1002
(Right View)



MD-1002
(Bottom View)



About AMX by HARMAN

Founded in 1982 and acquired by HARMAN in 2014, AMX® is dedicated to providing AV solutions for an IT World. AMX solves the complexity of managing technology with reliable, consistent and scalable systems comprising control, video switching and distribution, digital signage and technology management. AMX systems are deployed worldwide in conference rooms, classrooms, network operation/command centers, homes, hotels, entertainment venues and broadcast facilities, among others. AMX is part of the HARMAN Professional Group, the only total audio, video, lighting, and control vendor in the professional AV market. HARMAN designs, manufactures and markets premier audio, video, infotainment and integrated control solutions for the automotive, consumer and professional markets. ©2018 Harman. All rights reserved. Specifications subject to change.