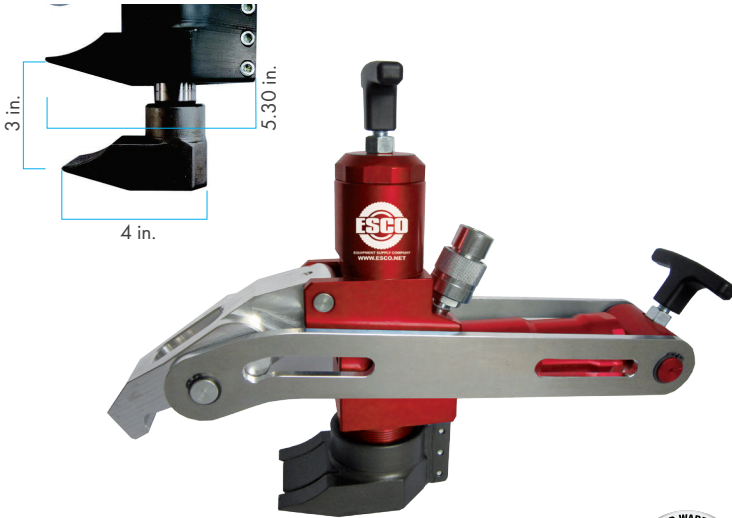


ALUMINUM Hydraulic Tire Bead Breakers



Combi Style

MODEL 40801



- ▶ **Aluminum Construction - Lightweight**
- ▶ 10 Tons of Bead Breaking Force
- ▶ Comparable to the #10101, Combi Bead Breaker
- ▶ To be used on 3-Piece Wheel Assemblies.
- ▶ Extended Jaw for Deep Dish Style Wheels (Extended Flange)
- ▶ Stroke: 2.75" **70mm**
- ▶ Weight: 19 lbs. **8.5 kg**



Earthmover Style

MODEL 40802

AVAILABLE WITH
SWIVEL COUPLER



- ▶ **Aluminum Construction - Lightweight**
- ▶ **Specialty Designed Claws** - Able to be used on Wheels with Smaller Bead Pockets. (see chart below)
- ▶ **Includes:** (2) Aluminum Style Wedges **40208-20** to increase usage on wider range of wheel assemblies & **40802-6A** Claw to be used on 5 Piece Wheel Assemblies 25" - 51"
- ▶ Bead Breaker with *Swivel Style Coupler* Available: Model #40802S
- ▶ Stroke: 2.75" **70mm**
- ▶ 20 Tons of Bead Breaking Force
- ▶ Weight: 17.6 lbs. **8 kg**

PROFESSIONAL LINE - Hydraulic Pumps

3.5 Quart - Plastic

MODEL 10500



5 Quart - Metal

MODEL 10592



ECONOMY LINE - Hydraulic Pumps

5 Quart - Plastic

MODEL 10875



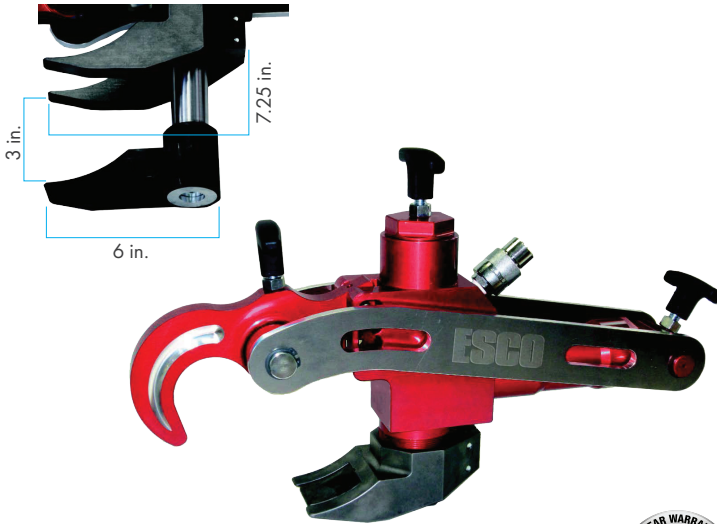
5 Quart - Metal

MODEL 10877



ALUMINUM Hydraulic Tire Bead Breakers

**NEW
DESIGN!**



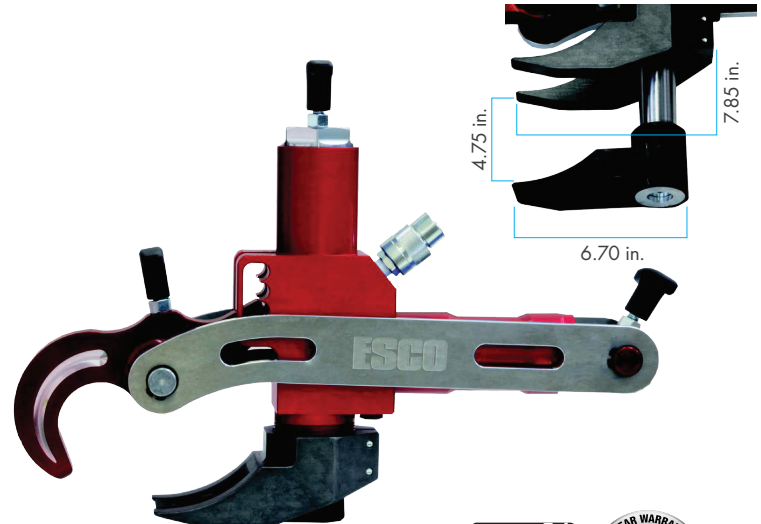
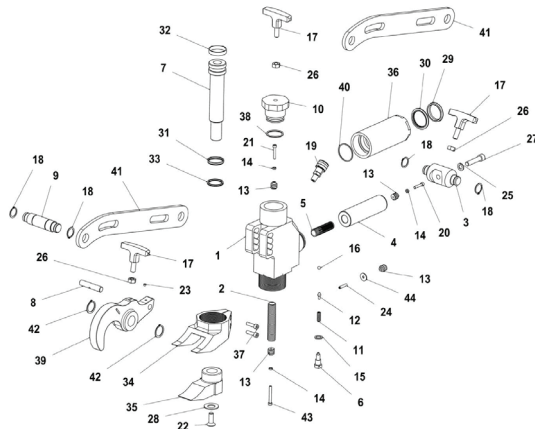
Euro Style SHORT

MODEL 40804

100%
MADE IN
EUROPE



- ▶ **Aluminum Construction - Lightweight**
- ▶ *Detaches inside and outside truck and tractor tire beads from rims.*
- ▶ *For 3-Piece Wheel Assembly*
- ▶ *Works on Caterpillar Rims from 25" to 57"*
- ▶ **5 Tons of Bead Breaking Force**
- ▶ **Stroke: 3" 75mm**
- ▶ **Weight: 38 lbs. 17 kg**



Euro Style LONG

MODEL 40805

100%
MADE IN
EUROPE



- ▶ **Aluminum Construction - Lightweight**
- ▶ *Earthmover Style Bead Breker for EM Tires 25" to 57"*
- ▶ *For 3-Piece Wheel Assembly*
- ▶ *Great for use on Caterpillar 952G, 924G, Volvo L120 Rim Configurations.*
- ▶ **5 Tons of Bead Breaking Force**
- ▶ **Stroke: 4.75" 120mm**
- ▶ **Weight: 39 lbs. 17.4 kg**

