

# Standard Control Panel Accessories



Leading Edge Control Products

Wiring and Remote Notification Options

CABLE GRIPS, PVC HUBS, JUNCTION BOXES, and REMOTE ALARMS

**TECHNICAL DATA SHEET**

## DESCRIPTION OF OPERATION

Alderon™ offers various standard control panel accessories for wiring and remote notification, including: cable grips (round and flat/UF), PVC hubs/terminal adapters, standard/custom junction boxes, and remote alarm panels.

### Cable Grips

PART NUMBERS	7419, 7102 - 7106	SPECIFICATIONS	MECHANICAL DRAWING
--------------	-------------------	----------------	--------------------



**Body/Nut Material**  
Polyamide 6

**Seal/Bushing Material**  
Neoprene

**Thread Type (NPT)**  
National Pipe Tapered  
ANSI/ASME B1.20.1

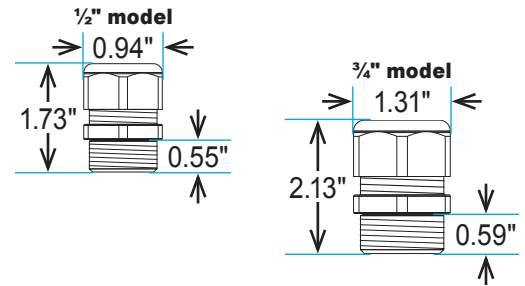
**Operating Temp**  
-40° F to 100° F

**Cable Types**  
Round and Flat/UF  
(Flat Cable Types: 14/2, 12/2,  
10/2, 14/3, and 12/3)

**Clamping / Slot Sizes**  
Varies per model

**Certifications**  
UL Listed / CSA Certified

**Three-Year Limited Warranty**



(\*) Call for complete data sheet/mechanical drawings for 3/8" and 1" models

### PVC Hubs / Terminal Adapters | 1" to 2" Conduit Sizes

PART NUMBERS	7107, 7108, 7109	SPECIFICATIONS	MECHANICAL DRAWING
--------------	------------------	----------------	--------------------



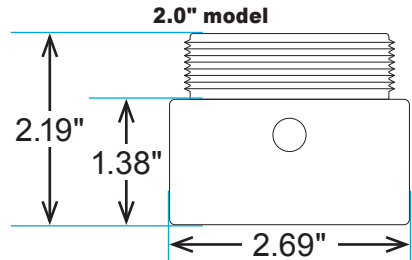
**Hub Material**  
Polyvinyl Chloride (PVC)

**Lock Nut Material**  
Zinc Plated Steel

**Hub Sizes**  
1.0", fits 1-inch conduit  
1.5", fits 1½-inch conduit  
2.0", fits 2-inch conduit

**Certifications**  
UL Listed  
CSA Listed

**Three-Year Limited Warranty**



(\*) Call for complete data sheet/mechanical drawings for 1" and 1½" models

### Standard and Custom Junction Boxes

PART NUMBERS	7093 - 7101	SPECIFICATIONS	MECHANICAL DRAWING
--------------	-------------	----------------	--------------------



**Enclosure**  
Polyvinyl Chloride (PVC)  
Nonmetallic  
Type 4X, Outdoor

**Enclosure Sizes**  
4 x 4 x 4 (inches)  
6 x 6 x 4 (inches)  
8 x 8 x 4 (inches)

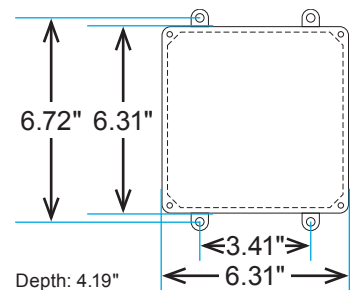
**Enclosure Cover**  
Polyvinyl Chloride (PVC)  
Foam gasketed seal

**Enclosure Screws**  
Stainless Steel

**Certifications**  
UL Listed  
CSA Certified

**Three-Year Limited Warranty**

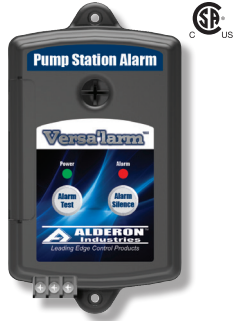
**6 x 6 x 4 (with cover)**



(\*) Call for complete data sheet/mechanical drawings for 4x4x4 and 8x8x4 models

# Versa'alarm™ 1-Zone, Type 1 Indoor Remote Pump Station Alarm (Alarm Panel Only)

PART NUMBER	8058	SPECIFICATIONS	MECHANICAL DRAWING
-------------	------	----------------	--------------------



**Primary Power**  
120VAC, 60 Hz (5ft cord)

**Secondary Power**  
Class 2, 9-11.1VDC 500mA

**Auxiliary Contacts**  
Normally Open  
Class 2, 24VDC/VAC  
50/60 Hz, 100mA (max)

**Field Connection Sensor**  
9VDC, 200mA (min)  
(signaling device)

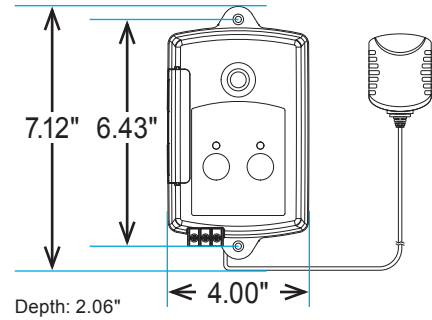
**Battery Backup**  
9VDC (not included)

**Buzzer**  
95 db @ 2-feet

**Enclosure**  
Type 1, Indoor

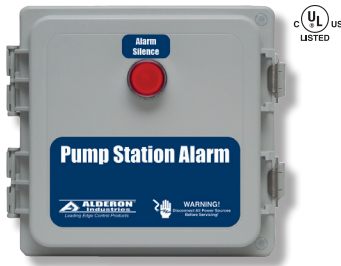
**Certifications**  
CSA (US and Canada)

**Three-Year Limited Warranty**



# Outdoor Remote Pump Station Alarm, Type 4X (Alarm Panel Only)

PART NUMBER	8059	SPECIFICATIONS	MECHANICAL DRAWING
-------------	------	----------------	--------------------



**Primary Power**  
120VAC from main control panel or separate power feed

**Input Signal**  
Dry contacts, 120VAC, 1A (min)  
Wet contacts to 120VAC

**Auxiliary Contacts**  
Normally Open (dry contacts)  
120VAC, 5A (max)

**Alarm Indicator (red)**  
120VAC, 22mm diameter (LED)

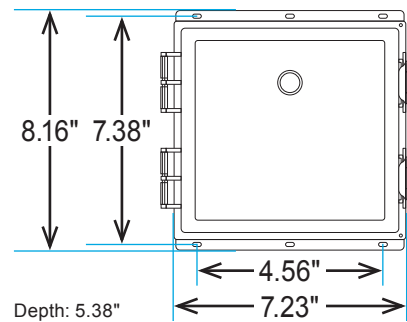
**Alarm Buzzer**  
95 db @ 2-feet

**Fuse**  
1A, 250VAC (max)

**Enclosure (6x6x4)**  
Type 4X, Outdoor

**Certifications**  
UL (US and Canada)

**Three-Year Limited Warranty**



## ORDERING INFORMATION

For a complete list of standard products with pricing, refer to the current year price sheet or visit [alderonind.com](http://alderonind.com) for more information.

PART NUMBER	DESCRIPTION	PART NUMBER	DESCRIPTION (Junction Box Sizes listed are Inches)
7419	Cable Grip, 3/8" NPT Round, 0.06" - 0.24" Clamping Range	7093	4x4x4 Junction Box (Junction Box Only)
7102	Cable Grip, 1/2" NPT Round, 0.20" - 0.47" Clamping Range	7094	4x4x4 Junction Box, 1.5" PVC Hub, (2) Float Grips, (1) Pump Grip
7103	Cable Grip, 3/4" NPT Round, 0.35" - 0.71" Clamping Range	7095	4x4x4 Junction Box, 1.5" PVC Hub, (3) Float Grips, (1) Pump Grip
7104	Cable Grip, 1" NPT Round, 0.55" - 0.98" Clamping Range	7096	6x6x4 Junction Box (Junction Box Only)
7105	Cable Grip, 1/2" NPT Flat, 0.24" x 0.55" Slot Size (14/2, 12/2, or 10/2)	7097	6x6x4 Junction Box, 1.5" PVC Hub, (3) Float Grips, (1) Pump Grip
7106	Cable Grip, 3/4" NPT Flat, 0.24" x 0.55" Slot Size (14/3 or 12/3)	7098	6x6x4 Junction Box, 2.0" PVC Hub, (3) Float Grips, (1) Pump Grip
7107	1.0" PVC Hub	7099	6x6x4 Junction Box, 2.0" PVC Hub, (3) Float Grips, (2) Pump Grips
7108	1.5" PVC Hub	7100	6x6x4 Junction Box, 2.0" PVC Hub, (3) Float Grips, (2) Pump Grips
7109	2.0" PVC Hub	7101	8x8x4 Junction Box (Junction Box Only)
8058	Versa'alarm™ - Indoor Remote Pump Station Alarm (Alarm Panel Only)	<b>Custom Junction Boxes, Refer to Nomenclature Below</b> (for complete information, refer to TDS00062)	
8059	Outdoor Remote Pump Station Alarm, Type 4X (Alarm Panel Only)		

NUMBER	CATEGORY	TYPE / EXAMPLE
1	Base Model	J4 = Junction Box, 4 x 4 x 4 (inches), PVC/Nonmetallic, Type 4X
		J6 = Junction Box, 6 x 6 x 4 (inches), PVC/Nonmetallic, Type 4X
		J8 = Junction Box, 8 x 8 x 4 (inches), PVC/Nonmetallic, Type 4X
2	PVC Hub Size (maximum one)	X = No PVC Hub
		H1 = (1) 1.0" PVC Hub
		H2 = (1) 1.5" PVC Hub
		H3 = (1) 2.0" PVC Hub
3	Float Switch Cable Grips	X = No Float Switch Cable Grips
		F2 = (2) Cable Grips, 1/2" NPT Round, 0.12" - 0.35" (3mm - 9mm)
		F3 = (3) Cable Grips, 1/2" NPT Round, 0.12" - 0.35" (3mm - 9mm)
		F4 = (4) Cable Grips, 1/2" NPT Round, 0.12" - 0.35" (3mm - 9mm)
		F5 = (5) Cable Grips, 1/2" NPT Round, 0.12" - 0.35" (3mm - 9mm)
		F6 = (6) Cable Grips, 1/2" NPT Round, 0.12" - 0.35" (3mm - 9mm)
		F7 = (7) Cable Grips, 1/2" NPT Round, 0.12" - 0.35" (3mm - 9mm)
4	Pump Power Cable Grips	X = No Pump Power Cable Grip(s)
		P1 = (1) Cable Grip, 1/2" NPT Round, 0.20" - 0.47" (5mm - 12mm)
		P2 = (1) Cable Grip, 3/4" NPT Round, 0.35" - 0.71" (9mm - 18mm)
		P3 = (1) Cable Grip, 1" NPT Round, 0.55" - 0.98" (14mm - 25mm)
		P4 = (2) Cable Grips, 1/2" NPT Round, 0.20" - 0.47" (5mm - 12mm)
		P5 = (2) Cable Grips, 3/4" NPT Round, 0.35" - 0.71" (9mm - 18mm)
		P6 = (2) Cable Grips, 1" NPT Round, 0.55" - 0.98" (14mm - 25mm)
		P7 = (3) Cable Grips, 1/2" NPT Round, 0.20" - 0.47" (5mm - 12mm)
		P8 = (3) Cable Grips, 3/4" NPT Round, 0.35" - 0.71" (9mm - 18mm)
		P9 = (3) Cable Grips, 1" NPT Round, 0.55" - 0.98" (14mm - 25mm)
		P10 = (4) Cable Grips, 1/2" NPT Round, 0.20" - 0.47" (5mm - 12mm)
		P11 = (4) Cable Grips, 3/4" NPT Round, 0.35" - 0.71" (9mm - 18mm)
P12 = (4) Cable Grips, 1" NPT Round, 0.55" - 0.98" (14mm - 25mm)		