

Power Post™ Monitoring System

Pump Connection Center | Demand Dose, Integrated Alarm

42.5-INCH POST | 15 AMP, 120/240VAC



Leading Edge Control Products

TECHNICAL DATA SHEET

DESCRIPTION OF OPERATION



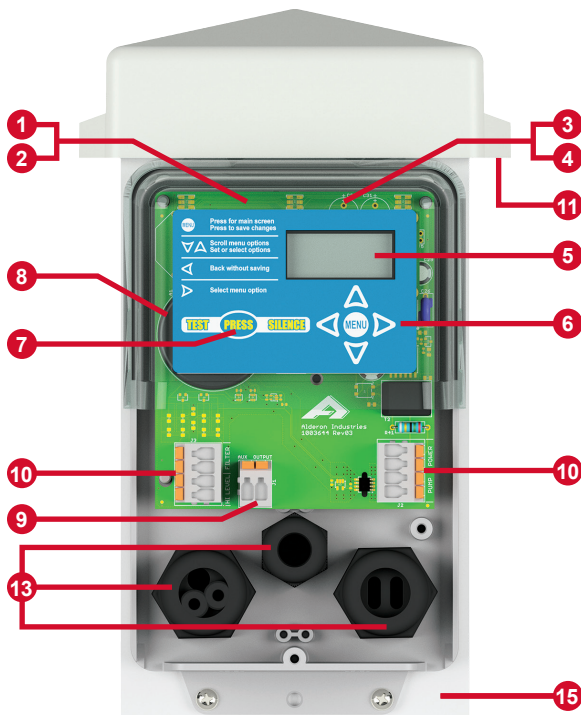
Alderon Industries™ | Patent Pending

Use the Power Post™ Monitoring System to make a professional and safe connection for power and float switch wiring connections to your on-site septic system. The Power Post™ comes with a 42.5-inch post to install in the ground with the vented post cap, cable grips, and junction box all pre-installed to the post which eliminates a 4" x 4" wood post and the exposed wires for a safe, clean, and quick installation. This system can be used for a wide variety of applications, including but not limited to: septic tanks, holding tanks, pump chambers, and water tanks. Available models include 120VAC and 240VAC.

The Power Post™ Monitoring System has an integrated outdoor alarm equipped with LED indicators (various colors), buzzer, and test/silence pushbutton. The top of the enclosure changes color along with system function displayed text on the OLED screen for easy troubleshooting information. Menu keys are provided to program settings and view data such as: pump cycle counts, pump amps, elapsed time, total gallons pumped, alarm conditions and more.

The system includes terminals to connect a high level alarm float switch and filter switch. The system will track high level and filter alarm statistics. Alarm "dry" contacts are provided to connect to a remote indoor alarm.

STANDARD FEATURES



(1) **Power On Indicator** - Green LEDs illuminate to indicate the unit is powered on. Note: Disable LED indicators in system settings.

(2) **Alarm Beacon** - Alarm LEDs (various colors) illuminate, flashing.

(3) **Pump Run Indicator** - Blue LEDs illuminate to indicate a pump run event. Note: Disable LED indicators in system settings.

(4) **System LED Indicators** - Multiple color indicators illuminate for both system events and/or alarm conditions.

(5) **OLED Display Screen** - Displays system functions.

(6) **Menu Keypad** - Toggle between system functions, program settings, or view all lifetime data stored.

(7) **Test/Silence Pushbutton** - Quick access to lifetime pump run event counter statistic, test or silence the alarm, or exit the menu system.

(8) **Alarm Buzzer** - Annunciates to indicate an alarm event.

(9) **Alarm "Dry" Contacts** - Interface with an external device such as a standard or WiFi indoor alarm. The contacts (normally open) are rated 24VDC/120VAC, 500mA maximum.

(10) **Quick Snap Terminal Blocks** - A pair of four-position terminal blocks for system power, pump power, alarm or control switches, and filter switch.

(11) **Vented Post Cap** - Allows airflow to prevent the build up of gases and condensation inside the post.

(12) **QR Code (not shown)** - Scan code for product information.

(13) **Cable Grips** - Pre-installed, creates a liquid and gas tight strain relief connection when securely fastened.

(14) **Pump Power Receptacle (not shown)** - A female, 15A, pump power receptacle is pre-installed. Available in 120VAC or 240VAC models.

(15) **Post** - Provides wire routing access for system power and pump power while protecting from water intrusion.

SPECIFICATIONS

Power Post™ - Pump Connection Center | Demand Dose, Integrated Alarm



Pump Power Receptacle

120VAC or 240VAC, 15A, 60 Hz
(voltage depends on model/part number)

Pump Power

120VAC or 240VAC, 13A or 15A, 60 Hz
(voltage/amps depends on model/part number)

Alarm Power

120VAC, 60 Hz
(240VAC, 60 Hz available; consult factory)

Auxiliary "Dry" Contacts

24VDC/120VAC, 500mA maximum

Power Consumption

14 Watts maximum (alarm condition)

Enclosure

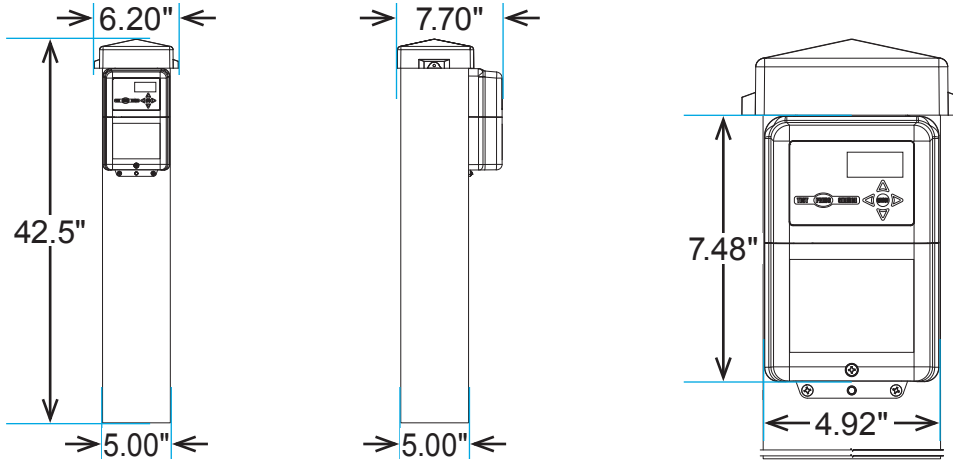
Type 3R, Outdoor

Certifications

FCC Part 15 (US and Canada)
CSA (US and Canada)

Three-Year Limited Warranty

MECHANICAL DRAWING



Power Post™ Monitoring System | Demand Dose - System Functions and Event Displays

ENCLOSURE LED INDICATOR	SYSTEM FUNCTION DISPLAYED TEXT	DESCRIPTION OF SYSTEM FUNCTION
Green Continuous	SYSTEM NORMAL	System is Normal
Blue Continuous	PUMP RUN	Pump is Running Normal
Red/Blue Alternating	EXT PUMP ALARM	Alarm - Pump is Running Continuously; Check Pump Float or Broken Pipe
Purple/Blue Alternating	HIGH AMP ALARM	Alarm - Pump is Drawing High Amps; Check Pump and Pump Blockages
Purple Flashing	PUMP FAILURE	Alarm - Pump is NOT Drawing Amps; Check Pump Float and Pump, Press Menu to Clear Fault
Purple/Red Alternating	PUMP FAILURE/HIGH LVL ALARM	Pump is NOT Drawing Amps/Tank is Full; Check Pump Float and Pump, Press Menu to Clear Fault
Red Flashing	HIGH LVL ALARM	Tank is at High Level; Check Pump Float and Pump
Amber Flashing	FILTER ALARM	Filter needs Cleaning; Check Effluent Filter
White/Cyan Alternating	UI ERROR (event not displayed)	Faceplate or OLED Screen not connected to Circuit Board; Check Ribbon for Proper Connection

ORDERING INFORMATION

PPMDS12252

1 2 3 4 5 6

Customized System Part Number:

MODEL # BOX 1	MODEL # BOX 2	MODEL # BOX 3	MODEL # BOX 4	MODEL # BOX 5	MODEL # BOX 6
PPMDS					

NUMBER	CATEGORY	TYPE / EXAMPLE
1	Base Model	PPMDS = Power Post™ Monitoring System, Demand Dose, Outdoor Alarm
2	Pump Voltage	1 = 120VAC Pump 2 = 240VAC Pump
3	Remote Alarm Options	X = No Remote Alarm Option 1 = 1-Zone Indoor Alarm, Standard 2 = 1-Zone Indoor Alarm, WiFi
4	Alarm Sensor Options (20' cable length, standard)	X = No Alarm Sensor Option 1 = Alarm Float 2 = Alarm Float and Filter Switch
5	Pump Switch Options (piggyback plug models) (20' cable length, standard) <i>Only choose one (1) option X, 13A switch, or 15A switch</i>	X = No Pump Switch Option 1 = 13 Amp, Narrow Angle Pump Switch (2.5" - 16.0" pumping range) 2 = 13 Amp, Medium Angle Pump Switch (4.5" - 32.0" pumping range) 3 = 13 Amp, Wide Angle Pump Switch (7.5" - 40.0" pumping range) 4 = 15 Amp, Medium Angle Pump Switch (4.5" - 32.0" pumping range) 5 = 15 Amp, Wide Angle Pump Switch (7.5" - 40.0" pumping range) 6 = 15 Amp, DoubleMax™ 2-Float Pump Switch (2.0" - 60.0" pumping range)
6	Riser Kit and Access Panel Options	X = No Riser Kit or Access Panel Option 1 = 2.0" Riser Connection Kit 2 = 2.5" Riser Connection Kit 3 = No Riser Kit with Access Panel 4 = 2.0" Riser Connection Kit with Access Panel 5 = 2.5" Riser Connection Kit with Access Panel