

Filter Switch

Effluent Filter Service | Rated 12/24VAC/DC, 10mA Maximum

UNIVERSAL TO ANY BRAND OF EFFLUENT FILTER



Leading Edge Control Products

TECHNICAL DATA SHEET

DESCRIPTION OF OPERATION



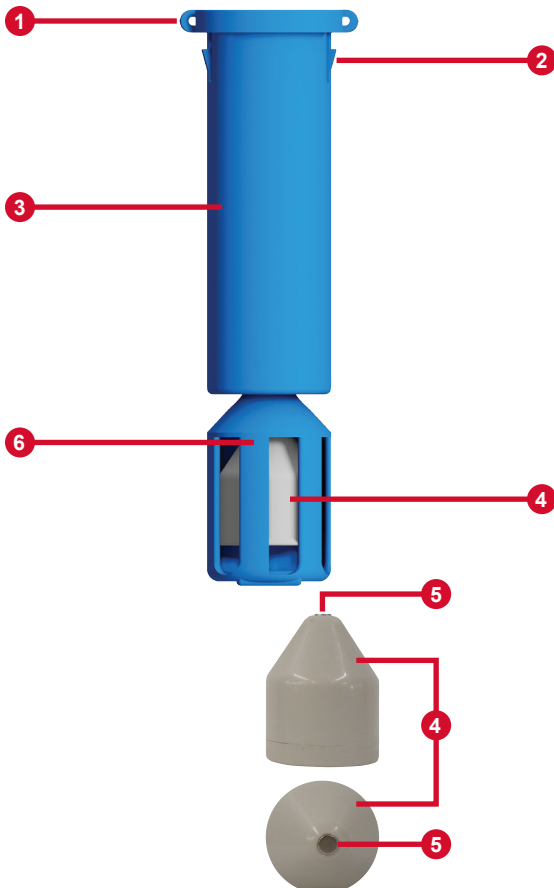
The Filter Switch is used to activate an alarm when a septic tank effluent filter needs to be serviced and is universal to any brand of effluent filter that has a one-inch through hole.

Use with high or low voltage alarm or control panel systems rated at 12/24VAC/DC, 10VA maximum.

Effluent filters with a one-inch diameter through hole, install by pressing the filter switch in the hole until it snaps into place.

The Filter Switch can be used with Alderon™ alarm or control panels and pump connection centers for septic tank applications. The sensor is wired to incoming terminals, when the water level rises activating the float, it sends a signal to indicate a filter alarm condition has occurred. After servicing the effluent filter, clear the float of debris as needed to reset the sensor for the next alarm cycle.

STANDARD FEATURES



(1) **Release Tabs** - Press the tabs inward, then lift the filter switch upward out of the hole.

(2) **Locking Tabs** - Snaps the filter switch in place when using with a through hole effluent filter.

(3) **Float Housing** - Enclosure and electronics are encapsulated in epoxy, making it a completely waterproof switch.

(4) **Float** - The float rises upon the build up of particles in the effluent filter and sends a signal to the alarm or control panel system indicating an alarm condition has occurred. Clean the effluent filter as needed for proper maintenance and operation before reinstalling the filter switch.

(5) **Float Magnet** - Located on top of the float and activates the micro switch inside the float housing, sending a signal to the alarm or control panel system.

(6) **Float Cage** - Protects the float from any obstructions and for the proper operation of the float to move up and down.

(7) **Filter Switch Power Cable (not shown)** - SJ00W (UL/CSA), 18 gauge, 2-conductor, flexible, and water/oil resistant. Available in 12/24VAC/DC, 10VA maximum.

SPECIFICATIONS

Filter Switch

Electrical

10VA, 12/24VAC/DC

Operating Temperature

0 - 120° F

Cable Type

SJOOW (UL/CSA), 18 gauge, 2-conductor, flexible, and water/oil resistant

Filter Switch Float and Housing

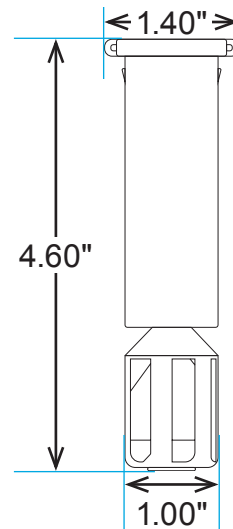
ABS Plastic

Maximum Mounting Angle

5° total from vertical

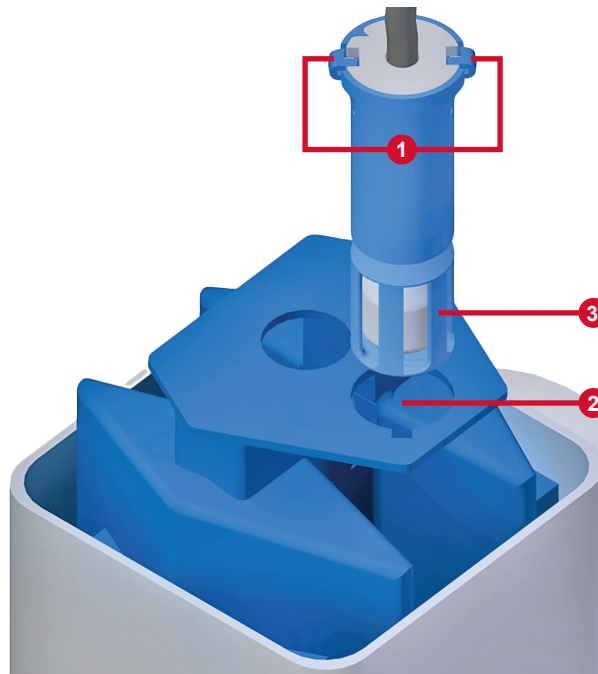
Three-Year Limited Warranty

MECHANICAL DRAWING



INSTALLATION EXAMPLE

- (1) Release tabs for easy installation and removal
- (2) Easily snaps into one-inch through hole
- (3) Float cage provides protection from obstructions



ORDERING INFORMATION

For a complete list of standard products with pricing, refer to the current year price sheet or visit alderonind.com for more information.

PART NUMBER	DESCRIPTION
7739	15' Filter Switch, Normally Open, 10VA, 12/24VAC/DC
7740	20' Filter Switch, Normally Open, 10VA, 12/24VAC/DC