

WaterPro™ High Amp Switching Contactor



Leading Edge Control Products

Enclosure Rated Type 4X (Outdoor)

CONTACTOR and ENCLOSURE (USE WITH ALDERON™ WATERPRO™ SERIES)

TECHNICAL DATA SHEET

DESCRIPTION OF OPERATION

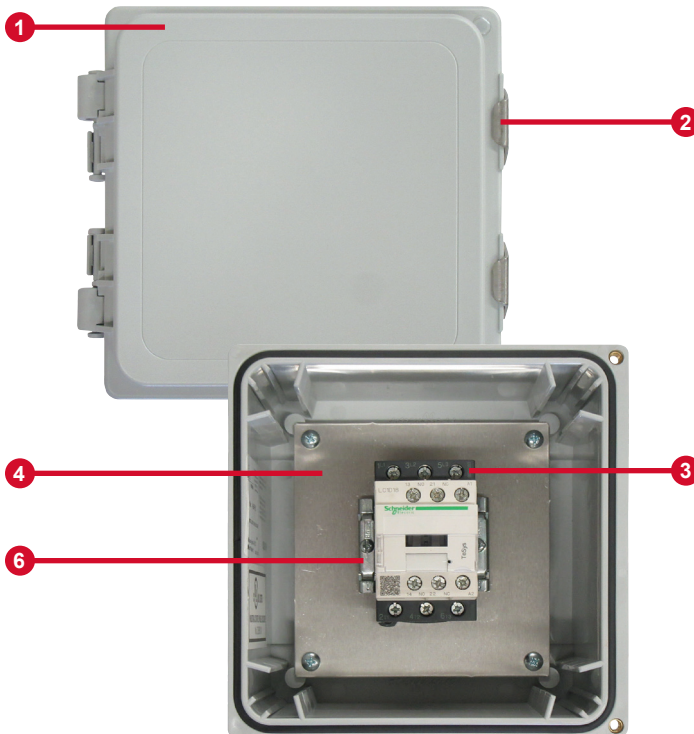


(18A contactor with 6x6x4 enclosure model shown)

The WaterPro™ High Amp Switching Contactor is used with the Alderon™ WaterPro™ Water Protection Control System, an expandable control panel system for flood prevention applications. Available models include 18 Amp, 25 Amp, 30 Amp, or 40 Amp motor contactors with a 6x6x4 or 10x10x6 enclosure, rated Type 4X.

The high amp switching contactors are used for the pump load of a well pump or resistive load for water heater shutoff. The type and size of motor contactor used depends on the amperage requirements per application. When using these motor contactors, use appropriate conduit connections and seal all conduits to prevent moisture and gases from entering the enclosure per local codes.

STANDARD FEATURES



(18A contactor with 6x6x4 enclosure model shown)

- (1) Thermoplastic Enclosure, Rated Type 4X
 - 6 x 6 x 4 (inches; 7045, 7046, and 7047)
 - 10 x 10 x 6 (inches; 7048)
- (2) Lockable Latches (secure from unwanted entry)
- (3) High Amp Switching Motor Contactor
 - 18 Amp (7045)
 - 25 Amp (7046)
 - 30 Amp (7047)
 - 40 Amp (7048)
- (4) Aluminum Backplate
- (5) Din-Rail (not shown, contactor mounting)
- (6) Din Rail End Stops (secures component)
- (7) Mounting Feet on Enclosure (not shown)

SPECIFICATIONS

WaterPro™ High Amp Switching Contactor

Electrical

120VAC, 50/60 Hz

Amperage

18 Amp (7045)
25 Amp (7046)
30 Amp (7047)
40 Amp (7048)

Auxiliary Contacts

Normally Open and Normally Closed

Electrical Durability

1.65 Million Cycles

Mechanical Durability

15 Million Cycles

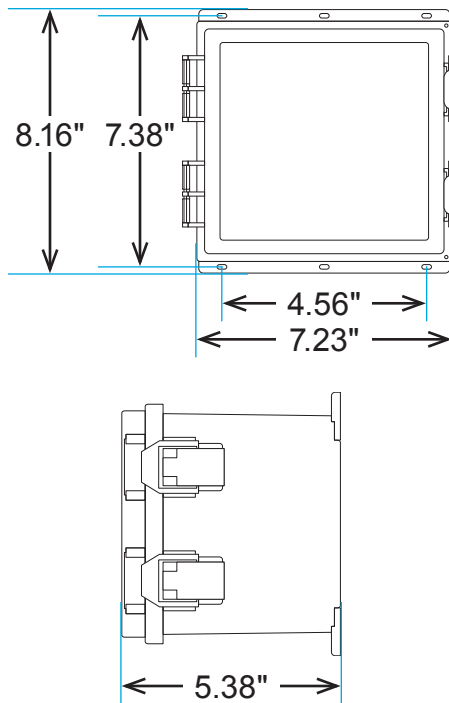
Enclosure

Hoffman Thermoplastic
6 x 6 x 4 (inches)
10 x 10 x 6 (inches)
Type 4X, Outdoor
Lockable Latches

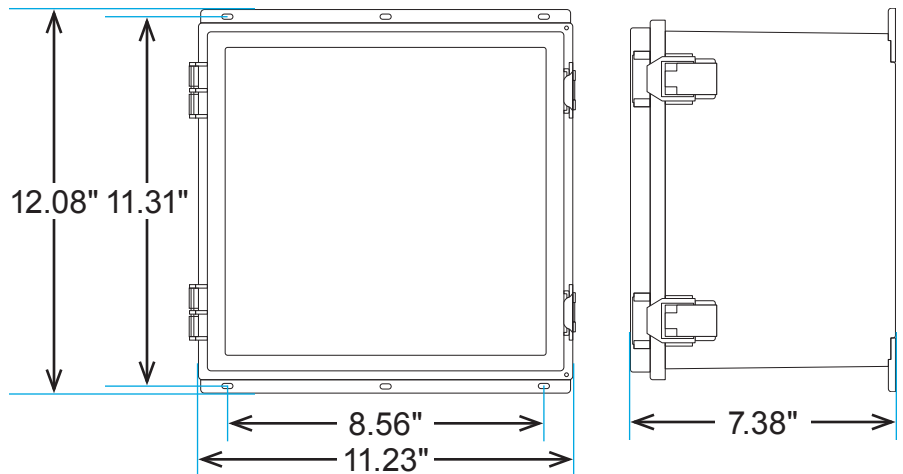
Three-Year Limited Warranty

MECHANICAL DRAWING

6 x 6 x 4 Enclosure



10 x 10 x 6 Enclosure



ORDERING INFORMATION

For a complete list of standard products with pricing, refer to the current year price sheet or visit alderonind.com for more information.

PART NUMBER	DESCRIPTION
7045	WaterPro™ Well Pump Motor Contactor, 6 x 6 x 4 Enclosure, Type 4X, 0-18 Amps (Pump Load)
7046	WaterPro™ Well Pump Motor Contactor, 6 x 6 x 4 Enclosure, Type 4X, 20-25 Amps (Pump Load)
7047	WaterPro™ Water Heater Shutoff Motor Contactor, 6 x 6 x 4 Enclosure, Type 4X, 15-30 Amps (Resistive Load)
7048	WaterPro™ Water Heater Shutoff Motor Contactor, 10 x 10 x 6 Enclosure, Type 4X, 30-40 Amps (Resistive Load)
WATERPRO™ CONTACTORS are an accessory used with the WATERPRO™ CONTROL PANEL	
7925	WaterPro™ Control Panel, 120/230VAC, 0-20 Amps, Type 4X (Panel Only)