

# Go2™ Totalizer Pump Control



Single Phase Simplex, Single Power Source

Model: GO2T1S120-CT6 and GO2T1S230-CT6 | 120 or 240VAC; 0-12A, 7-15A, or 9-20A

INCLUDES: PUMP & ALARM BREAKERS AND POWER TERMINAL BLOCK

MARKETING DATA FLIER



## STANDARD FEATURES

- **Type 4X Enclosure, Indoor or Outdoor, Pad-lockable**
  - Enclosure Size 10" x 8" x 4" (inches)
  - Opaque Door, Alarm Beacon with Red Flashing LEDs
  - Alarm Buzzer and Alarm Test/Silence Switch
- **Alarm and Pump Circuit Breaker and Double-Pole Hybrid Solid State Relay**
  - Tested to over a million pump cycles
- **Beacon with Vibrant Multi-Color LEDs (select indicators listed)**
  - Green = Normal
  - Green Flashing = Pump Run
  - Green/Red = Hand-Off-Auto (HOA) Selector in OFF Position
  - Red Flashing = Liquid Level Alarm
- **Digital Amp Meter**
  - Display Real-Time Pump Running Amps
  - Track Amperage Statistics: High, Low, Min/Max/Average
  - Used for Pump and Relay Failure Detection
- **OLED Display – 2 lines x 8 Characters**
  - Intuitive User Menu System
  - Fully Configurable System
  - Statistic Tracking
- **Statistics Tracking**
  - Pump Elapsed Time, Pump Cycle Counter, Total Gallons Pumped, High Level Stats, and More
- **Status LEDs**
  - Pump Run and Float Activated
- **Automatic Resettable Alarm and Control Fuses**
- **Built-in Printed Circuit Board Surge Protection (conformal coated)**
- **Easily Change Configurations**
  - Demand or Timed Dosing
  - Float Sequence Errors, Automatic or Manual Alarm Reset, High Float Redundant Start Enable, and Green System Normal Beacon Disable
- **Float Options**
  - Field Wire up to (4) Float Switches
- **Included Auxiliary "Dry" Contacts**
  - Normally Open/Normally Closed, General Alarm (any Alarm and Power Loss)
- **Hand-Off-Auto (HOA) Pump Selector Switch**
  - Off Reminder, Red/Green Flashing Beacon
- **Exterior Test/Silence Switch**
  - Test Alarm (activated and deactivated less than 5-seconds)
  - Clears All Alarms (activated more than 5-seconds)
  - Silence Buzzer during Alarm
- **Lever Style Terminal Blocks**
  - Elevated, In-Line Sight, Wire Connections
  - Screwdriver-less installation

### Panel Options (customize application)

- Pedestal Mount
- Vizzy.Site™ Remote Monitoring

## ORDERING INFORMATION

For a complete list of standard products with pricing, refer to the current price sheet or scan the QR code for more information on this product.



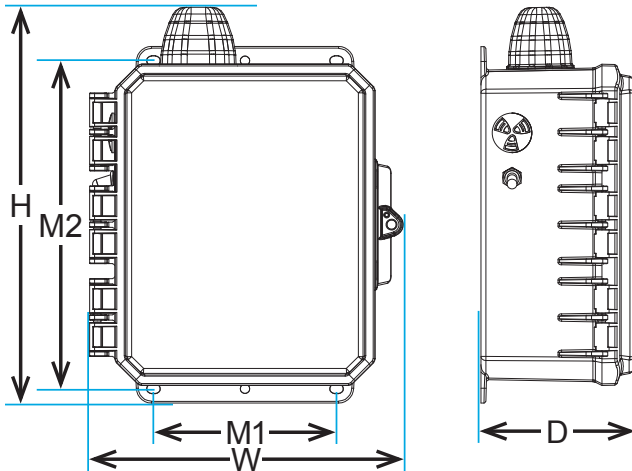
### GO2™ TOTALIZER - SINGLE PHASE | SIMPLEX

Base Model	Control Panel Description			
GO2T1S120H	Go2 Totalizer, Single Source Power Terminal Block, Single Phase Simplex, 120VAC, Pump & Alarm Breaker			
GO2T1S230H	Go2 Totalizer, Single Source Power Terminal Block, Single Phase Simplex, 120/230VAC, Pump & Alarm Breaker			
Panel Code	Pump Full Load Amps (FLA)	Control Switch Options	Panel Code	Description (narrow angle models only)
12-CT6	0.0 - 12.0 Amps	Number of Floats		No Float Switches
15-CT6	7.0 - 15.0 Amps		+3	(3) Float Switches
20-CT6	9.0 - 20.0 Amps		+4	(4) Float Switches
		Float Style	AG	Altra™ Gold Series
		Activation Type <i>Normally Open = Pump Down</i>	H	High Level, Normally Open
		Mounting Method (float attachment)	PR	RubberLox™
			WC	Cable Weight, Cast Iron
			WP	Cable Weight, Plastic
		Cable Length (feet; standard)	20	20' Cable Length
			30	30' Cable Length
			50	50' Cable Length

Example: GO2T1S230H15+3AGHPS20 = Go2 Totalizer, Single Source Power Terminal Block, Single Phase Simplex, 120/230VAC, Pump & Alarm Breaker, 7-15 Amps, (3) 20' Float Switches, Stainless Steel Pipe Clamps

# Go2™ Totalizer Pump Control | PRODUCT DIMENSIONS and REMOTE MONITORING

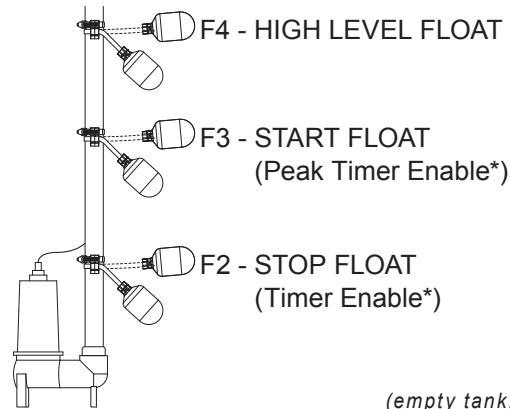
Visit [alderonind.com](http://alderonind.com) to expand your system with other Alderon™ products for standard or custom applications



ENCLOSURE SIZE	OVERALL Width (W)	OVERALL Height (H)	OVERALL Depth (D)	MOUNTING Width (M1)	MOUNTING Height (M2)
10 x 8 x 4	10.27	13.69	5.01	6.0	10.75
Enclosure measurements (inches)					

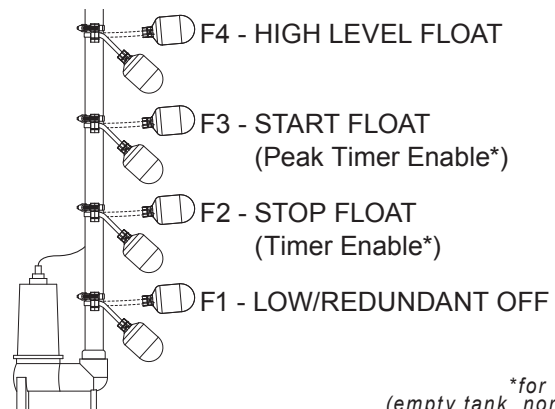
ENCLOSURE WITH PEDESTAL SIZE	OVERALL Height (A)	BOTTOM Height (B)	PEDESTAL Width (C)	PEDESTAL Depth (Y)	OVERALL Depth (Z)
	37.33	24.90	7.78	6.22	7.98
Enclosure measurements (inches)					

## 3-FLOAT EXAMPLE



*\*for Timed Dose (empty tank, normally open)*

## 4-FLOAT EXAMPLE



*\*for Timed Dose (empty tank, normally open)*

### Circuit Board LED Indicators for Sensor Functions:

1. When a float switch activates, its corresponding indicator LED will illuminate to show it is active (F1, F2, F3, and F4).
2. If Float Sequence Error Detection is enabled and the float switches activate out of sequence, the indicator LEDs for the problem floats will blink.

