

GOOP Alarm

Grease or Oil Panel Alarm System

Model: GA240 | Single Phase, 120/240VAC | Type 4X (Indoor/Outdoor)

INCLUDES: ALARM BEACON and AUXILIARY DRY CONTACTS



MARKETING DATA FLIER



STANDARD FEATURES

- **Type 4X Enclosure, Indoor or Outdoor, Pad-Lockable**
 - Enclosure Size 8" x 6" x 4" (inches)
 - Opaque Door, Alarm Beacon with Red Flashing LEDs
 - Alarm Buzzer and Alarm Test/Silence Switch
- **Beacon with Vibrant Multi-Color LEDs (select indicators listed)**
 - Green (solid) = Normal
 - Red (flashing) = Sensor Alarm
- **Status LEDs**
 - Sensors are Activated or View Current Configuration
- **Built-in Printed Circuit Board Surge Protection (conformal coated)**
- **Easily Change Configurations**
 - Green Beacon Disable
- **Included Auxiliary "Dry" Contacts**
 - Alarm 1 – Grease or Oil
 - Alarm 2 – Grease or Oil
 - Oil in Water – Float – Oil
 - Oil/Water Float Enabled
- **System Selector Switch**
 - 1) = 1 Zone Grease or Oil Alarm
 - 2) = 2 Zone Grease or Oil Alarm
 - 3) = Oil in Water Alarm – 2 Float
- **Adjustable Probe Sensitivity Potentiometer**
 - Can be Configured to Activate at Equivalent Resistance Values of 10k-Ohms to 100k-Ohms (50k-Ohms recommended)
- **Test/Configure Button**
 - Activate Test Routine, Clear Alarms, and Enable Settings
- **Exterior Test/Silence Switch**
 - Test Alarm
 - Silence Buzzer during Alarm

DESCRIPTION OF OPERATION

The GOOP alarm is a universal alarm for grease or oil detection within water-oil/grease separator tanks. For grease alarms in larger 500 gallon or larger tanks, a sensor bracket is mounted in the manhole area for mounting the sensors. For some grease alarm applications, a simple float switch is used and will activate when the float switch floats on top of a large grease layer activates due to inrush of water in the separator. Or instead of the float switch, use 2 suspension grease/water conductivity probes. When the grease surrounds the tip of the suspension probe the alarm is activated. For oil applications, choose either suspension float switches or suspension oil/water conductivity probes. When the alarm is activated, the beacon will flash red and the buzzer and alarm dry contacts are activated. Silence the buzzer by activating the test/silence toggle switch. The alarm automatically resets when the alarm condition is cleared and the beacon will turn green indicating the system is normal.

ORDERING INFORMATION

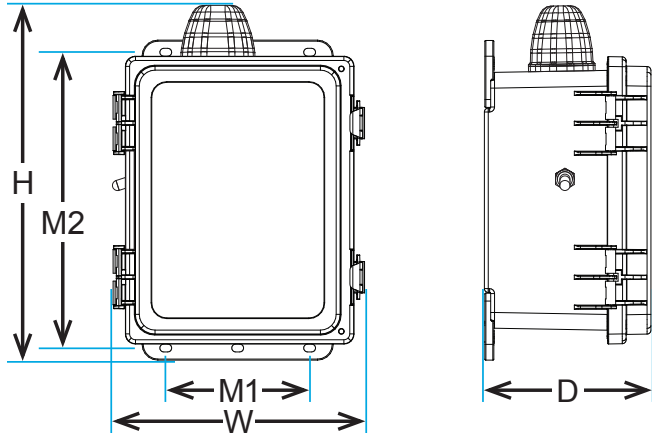
GOOP ALARM - GREASE OR OIL PANEL ALARM SYSTEM

Base Model	Control Panel Description		
GA240	Goop Alarm, 120-240 VAC, Grease or Oil Panel Alarm System		
Sensor Code	Sensor Options	Sensor Cable Length Code	Description
+1FG	Float Switch for GREASE Application ONLY	20	20' Cable Length
		30	30' Cable Length
		50	50' Cable Length
+2PS	(2) Probe Sensors for Reference and Alarm, for Grease or Oil Applications		
+3PS	(3) Probe Sensors for Reference, Alarm1, and Alarm 2 for Grease or Oil Applications	Bracket Code	Bracket Description
		SB3	3 Hole Sensor Bracket
+2FO	(2) Floats Switches for OIL Applications ONLY		

Example: GA240+2PS20SB3 = Goop Alarm, 120-240 VAC, Grease or Oil Panel Alarm System, (2) Probe Sensors for Reference and Alarm, 20' Sensor Cables and 3 Hole Sensor Bracket

Pump Sensor Alarm Panel | PRODUCT DIMENSIONS and REMOTE MONITORING

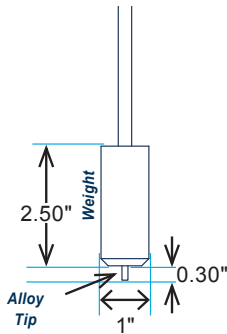
Visit alderonind.com to expand your system with other Alderon™ products for standard or custom applications



PANEL CODE (enclosure size)	OVERALL Width (W)	OVERALL Height (H)	OVERALL Depth (D)	MOUNTING Width (M1)	MOUNTING Height (M2)
Base Model (E1) 8 x 6 x 4	8.17	10.15	5.28	4.56	9.38
Enclosure measurements (inches)					

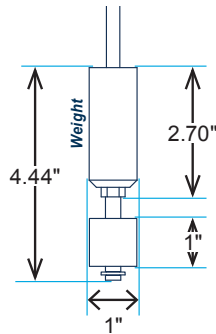
APPLICATION

Suspension Probe Sensor



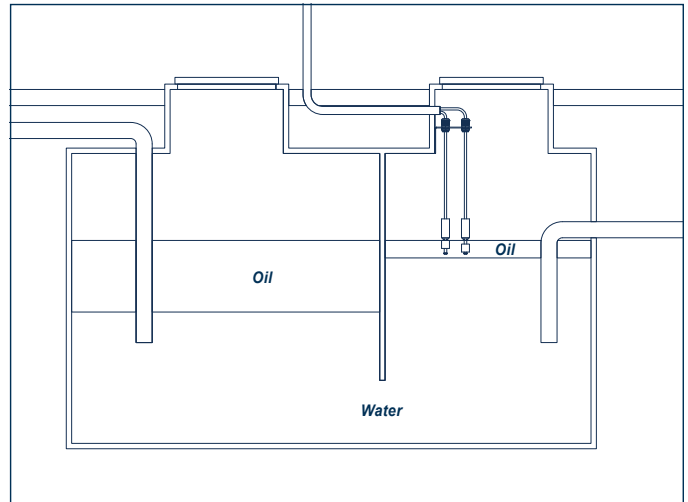
- Cable: 18/2 SJOOW
- Suspension Weight: 316 Stainless Steel, 1" x 2.5"
- Sensor: Corrosion Resistant Alloy, 0.125" x 0.30"

Suspension Float Switch

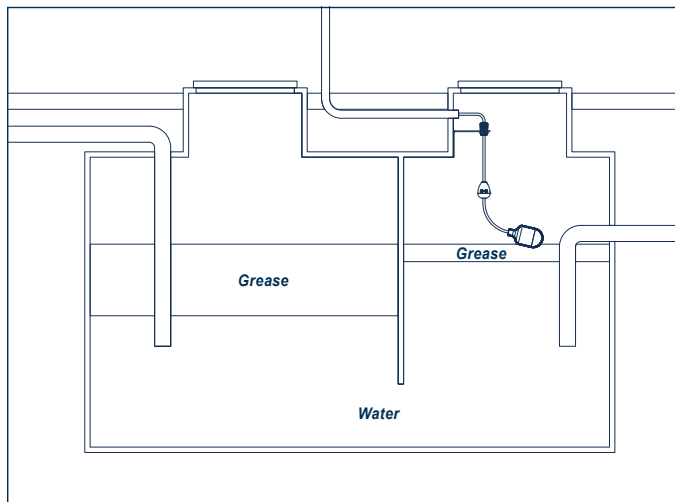


- Cable: 18/2 SJOOW
- Suspension Weight: 316 Stainless Steel, 1" x 2.5"
- Float: Buna-N
- Stem: Brass
- Specific Gravity = .47 for Fluid Enable Float
- Specific Gravity = .95 for Oil/Water Alarm Float

Suspension Float Switches for Oil Alarm ONLY Application



Float Switch for Grease ONLY Application



Suspension Probe for Both Oil or Grease Application

