

# FLEX™ Control Panel

Three Phase Simplex, Type 4X (Indoor/Outdoor)

Model: FLXC3S | 208/230/460VAC or 230/460/575VAC; Specified Amp Ranges

CLEAR DOOR and LOCKABLE LATCHES



Leading Edge Control Products

MARKETING DATA FLIER



## STANDARD FEATURES

- **Type 4X Enclosure, Indoor or Outdoor Use, Pad-Lockable**
  - Standard Enclosure Size 12" x 10" x 6" (inches)
  - Clear Door, View OLED Screen with Alarm and Status Indicator LEDs
  - Alarm Buzzer and Alarm Test/Silence Switch
- **Pump Motor Protective Switch (MPS) and IEC Contactor**
  - Combination Circuit Breaker, IEC Contactor Pump Starter, and Overload Relay with an Adjustable Pump Amp Range which Protects the Pump from Overcurrent Damage or use MPS for Pump Disconnect
- **Vibrant Multi-Color LEDs (*select indicators listed*)**
  - Green (normal), Red (alarms), Blue (pump run), and Red/Yellow (error)
- **Automatic Resettable Alarm and Control Fuses**
- **Built-in Printed Circuit Board Surge Protection (*conformal coated*)**
- **Easily Change Configurations**
  - Demand Dosing, Timed Dosing, Transducer Settings, Enable Pump Exerciser, and Seal Fail Alarm or Pump Shutdown
- **Sensor Options (*signaling device*)**
  - Field Wire up to (5) Digital Inputs
  - Low Level Alarm and Auxiliary Switch Options
  - Configure 5th Input for a Control Float Switch, Auxiliary Switch, or 4-20mA Submersible Transducer
- **Statistic Tracking**
  - Pump Elapsed Time, Min/Max/Avg Pump Run Times, Pump Cycle Counter, Total Gallons Pumped, High Level Stats, and More
- **Included Auxiliary "Dry" Contacts**
  - Pump Run and General Alarm
  - Configurable Reverse Operated for General Alarm plus Power Loss
- **Hand-Off-Auto (HOA) Pump Selector Switch**
  - Off Reminder, Yellow Flashing LEDs and Displays "Pump Disabled"
  - Configurable Pump Disable
- **Scroll Wheel and Digital Display (*password protected settings*)**
  - Navigate Menu, Access Statistics Tracking, Configure Settings, and Displays System Information on OLED Screen
- **Exterior Test/Silence Switch**
  - Quick View of Pump and Alarm Stats
  - Check Alarm LEDs and Buzzer or Silence Buzzer during Alarm

## Panel Options (customize application)

- Current Sensor (displays and monitors Amps)
- Anti-Condensation Heater
- Main Disconnect
- Lightning Arrestor
- Intrinsically Safe Circuits
- Vizzy.Site™ Remote Monitoring

## ORDERING INFORMATION

Scan the QR code for more information on this product and website includes pricing.



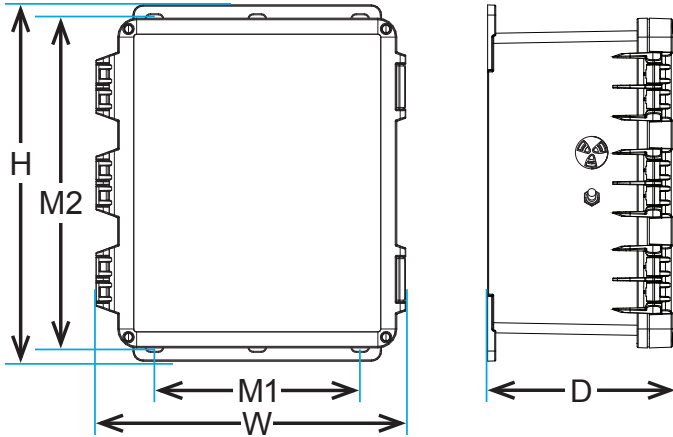
### FLEX™ - THREE PHASE | SIMPLEX

Base Model	Control Panel Description			
FLXC3S	FLEX™, Clear Door, Three Phase Simplex, 208/230/460VAC (460) or 230/460/575VAC (575)			
Panel Code	Pump Full Load Amps (FLA)	Control Switch Options	Panel Code	Description (narrow angle models only)
CO1-1.6	1.0 - 1.6 Amps	Number of Control Switches	+2	(2) Control Switches ( <i>with transducer</i> )
CO1.6-2.5	1.6 - 2.5 Amps		+3	(3) Control Switches
CO2.5-4	2.5 - 4.0 Amps		+4	(4) Control Switches
CO4-6	4.0 - 6.0 Amps		AG	Altra™ Gold Series
CO6-10	6.0 - 10.0 Amps	Activation Type ( <i>Pump Down</i> )	H	High Level, Normally Open
CO9-14	9.0 - 14.0 Amps	Mounting Method (float attachment)	PS	Pipe Clamp, Stainless Steel
CO13-18	13.0 - 18.0 Amps		WC	Cable Weight, Cast Iron
CO17-23	17.0 - 23.0 Amps		WP	Cable Weight, Plastic
CO20-25	20.0 - 25.0 Amps	Cable Length (feet; standard)	20	20' Cable Length
			30	30' Cable Length
			50	50' Cable Length
			75	75' Cable Length
			100	100' Cable Length

Example: FLXC3S460CO4-6+3AGHWC30 = FLEX™, Clear Door, Three Phase Simplex, 208/230/460VAC, 4-6A, (3) 30' Control Switches, Cast Iron Cable Weights

# FLEX™ Control Panel | PRODUCT DIMENSIONS and REMOTE MONITORING

Optionally connected to the Alderon™ cloud based Vizzy.Site™ for alarm and pump tracking statistics



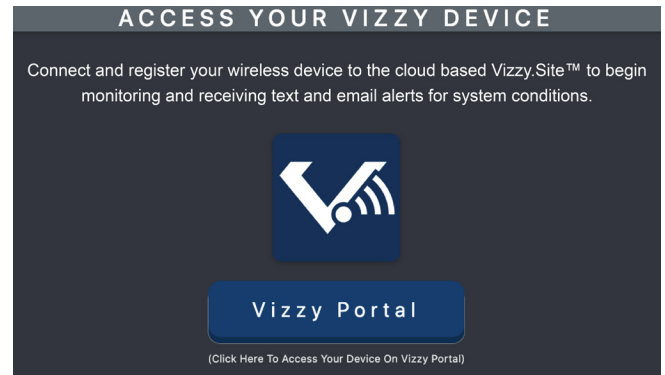
PANEL CODE (enclosure size)	OVERALL Width (W)	OVERALL Height (H)	OVERALL Depth (D)	MOUNTING Width (M1)	MOUNTING Height (M2)
Base Model (E2) 12 x 10 x 6	12.04	13.85	7.27	8.27	12.82
E3 14 x 12 x 6	14.01	15.85	7.27	10.24	14.83
E4 16 x 14 x 8	16.09	17.85	9.27	12.24	16.91
E5 18 x 16 x 10	18.16	19.85	11.27	14.25	18.99

Enclosure measurements (inches)

## OPTIONAL - REMOTE MONITORING

### Vizzy.Site™ | 3 WAYS to CONNECT

- 1 WIFI**  
Panel is connected where the WiFi signal is available AT the panel location ~ Panel Code: V1
- 2 ZIGBEE WIRELESS to WIRELESS WIFI**  
Panel is connected up to 1,000 feet (*line of sight*) AWAY FROM where a WiFi signal is available from the panel location ~ Panel Code: V2
- 3 VERIZON CELLULAR**  
Panel is connected as long as a Verizon cellular signal is available at the panel location ~ Panel Code: V3 (USA) and V4 (Canada)



### MONITOR YOUR SYSTEM ANYWHERE with a SMARTPHONE, TABLET, or COMPUTER

When the product is connected to the Alderon™ Vizzy.Site™ cloud for remote monitoring; view product information for the device, configuration, event history, stats, alert rules, and information. Each tab includes additional information and selections to change system settings or view alarm and pump statistics.

Statistic examples include: System Pumping, Pump Run Stats, Pump Auxiliary Cutoff, Pump Overcurrent, Pump Undercurrent, Pump Seal Sensor Alarm, High Water Alarm, and Low Water Alarm.

#### Example:

Pump 1 Overcurrent

PRESS the 'Clear Resettable' button to "reset" statistic to zero.

NOTE: Lifetime statistic values are NOT resettable

Alarm Count		Clear Resettable
Resettable Value:	0	
Lifetime Value:	0	
Last Updated:	02/03 09:49:56 AM	

Average Peak Current Observed On Overcurrent Alarm		Clear Resettable
Resettable Value:	0 Amps	
Lifetime Value:	0 Amps	
Last Updated:	02/03 09:49:58 AM	

## SUBSCRIPTIONS:

### Options V1 and V2 | WiFi or Zigbee to WiFi

- VIZZY™ FREE - \$0.00 | high or low level alarm monitoring only
- VIZZY™ PRO - \$99.00/YEAR | full system monitoring of alarms and events, pump statistics, and more

### Options V3 (USA) and V4 (Canada) | Cellular

- VIZZY™ PRO - \$299.00/YEAR | full system monitoring of alarms and events, pump statistics, and more