

# GO2™ Control Panel

Single Phase Duplex, Type 4X (Indoor/Outdoor)  
 Model: GO21D230 | 120/240VAC; 1-7A, 7-15A, or 15-20A

INCLUDES: PUMP CIRCUIT BREAKERS and AUXILIARY DRY CONTACTS



Leading Edge Control Products

MARKETING DATA FLIER



## STANDARD FEATURES

- **Type 4X Enclosure, Indoor or Outdoor, Pad-lockable**
  - Enclosure Size 8" x 8" x 4" (inches)
  - Opaque Door, Alarm Beacon with Red Flashing LEDs
  - Alarm Buzzer and Alarm Test/Silence Switch
- **Pump Circuit Breakers and Double-Pole Pump Relay Starters**
- **Beacon with Vibrant Multi-Color LEDs (select indicators listed)**
  - Green = Normal
  - Green Flashing = Pump Run
  - Amber Flashing = Hand-Off-Auto (HOA) Selectors in OFF Position
  - Red Flashing = Liquid Level Alarm
- **Status LEDs**
  - Pump Run (each pump) and Float Activated
- **Automatic Resettable Alarm and Control Fuses**
- **Built-in Printed Circuit Board Surge Protection (conformal coated)**
- **Built-in Lag Delay Timer to Prevent Simultaneous Pump Run**
- **Easily Change Configurations**
  - Sensor Error Input, Automatic or Manual Alarm Reset, Lag Alarm Disable, High Float Redundant Start Enable, and Green System Normal Beacon Disable
- **Sensor Options (signaling device)**
  - Field Wire up to (4) Digital Inputs; Off, Lead, Lag/Alarm, and Liquid Level Alarm
- **Included Auxiliary "Dry" Contacts**
  - Normally Open/Normally Closed, General Alarm (any Alarm and Power Loss)
- **Hand-Off-Auto (HOA) Pump Selector Switch (each pump)**
  - Off Reminder, Yellow Flashing Beacon (both pumps set to OFF)
- **Configure/Test Button**
  - Activate Test Routine, Clear Alarms, and Enable Settings
- **Exterior Test/Silence Switch**
  - Test Alarm (activated and deactivated less than 5-seconds)
  - Clears All Alarms (activated more than 5-seconds)
  - Silence Buzzer during Alarm

## ORDERING INFORMATION

For a complete list of standard products with pricing, refer to the current price sheet or scan the QR code for more information on this product.



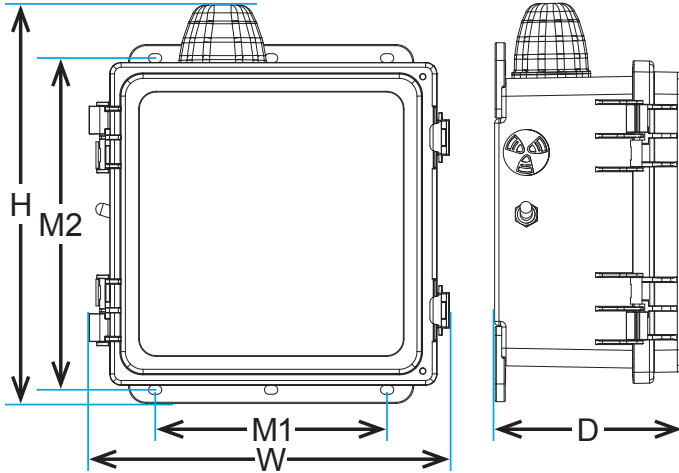
### GO2™ - SINGLE PHASE | DUPLEX

Base Model	Control Panel Description			
GO21D230	GO2™ Single Phase Duplex, 120/240VAC, Pump Circuit Breakers			
Panel Code	Pump Full Load Amps (FLA)	Control Switch Options	Panel Code	Description (narrow angle models only)
R7	1.0 - 7.0 Amps	Number of Floats	+3	No Float Switches
R15	7.0 - 15.0 Amps		+4	(3) Float Switches
R20	15.0 - 20.0 Amps	Float Style	AG	Altra™ Gold Series
		Activation Type <i>Normally Open = Pump Down</i> <i>Normally Closed = Pump Up</i>	H	High Level, Normally Open
			L	Low Level, Normally Closed
		Mounting Method (float attachment)	PS	Pipe Clamp, Stainless Steel
			WC	Cable Weight, Cast Iron
			WP	Cable Weight, Plastic
		Cable Length (feet, standard)	20	20' Cable Length
			30	30' Cable Length
			50	50' Cable Length

Example: GO21D230R15+4AGHPS20 = GO2™ Single Phase Duplex, 120/240VAC, Pump Circuit Breakers, 7-15 Amps, (4) 20' Float Switches, Stainless Steel Pipe Clamps

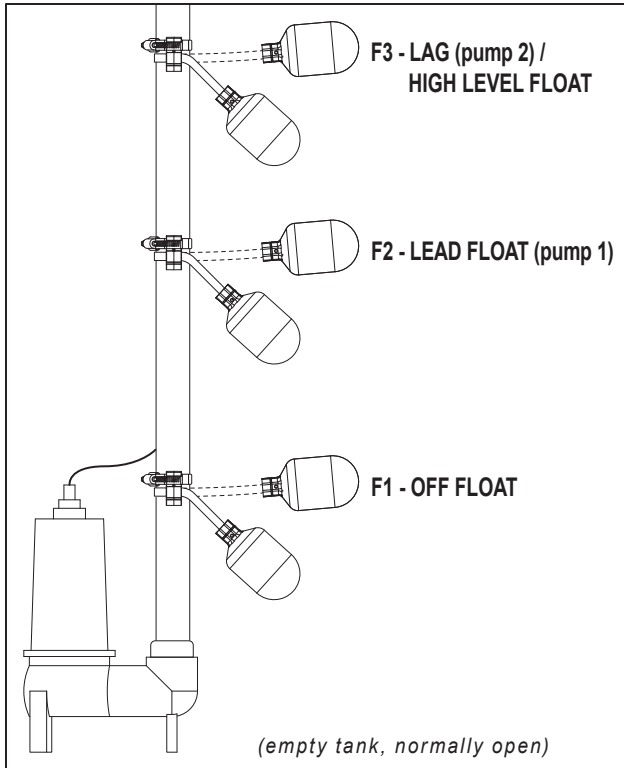
# GO2™ Control Panel | PRODUCT DIMENSIONS and APPLICATION EXAMPLES

Visit [alderonind.com](http://alderonind.com) to expand your system with other Alderon™ products for standard or custom applications

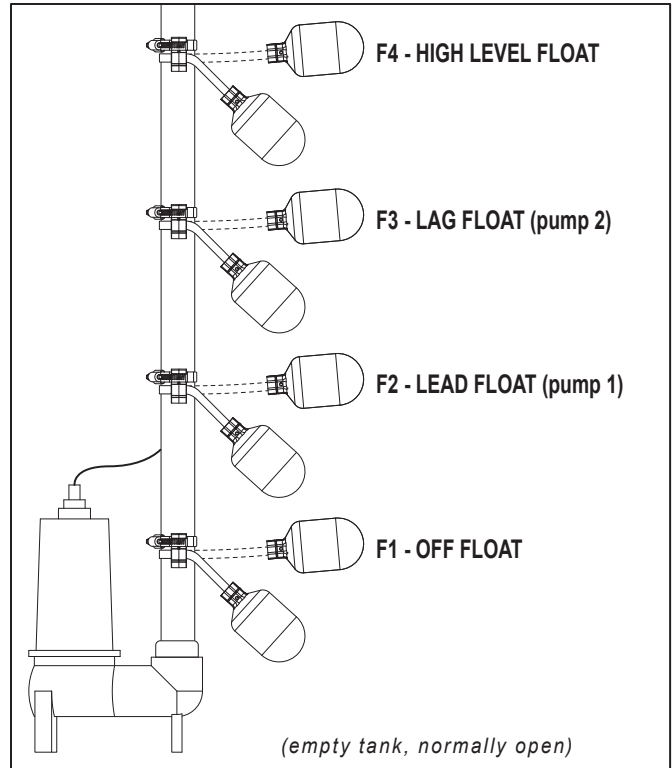


ENCLOSURE SIZE	OVERALL Width (W)	OVERALL Height (H)	OVERALL Depth (D)	MOUNTING Width (M1)	MOUNTING Height (M2)
8 x 8 x 4	10.17	12.15	5.28	6.56	9.38
Enclosure measurements (inches)					

## 3-FLOAT EXAMPLE



## 4-FLOAT EXAMPLE



### Circuit Board LED Indicators for Sensor Functions:

1. When a float switch is activated, the control panel circuit board LEDs will illuminate for all sensors which are active (F1, F2, F3, and F4).
2. When a float switch is deactivated the control panel circuit board LEDs are not illuminated for all sensors which are not active (F1, F2, F3, and F4).

