

Check It™ Control Panel

Three Phase Simplex, Type 4X (Indoor/Outdoor)

Model: CKIT3S | 208/230/460VAC or 230/460/575VAC; Specified Amp Ranges

OPAQUE DOOR, ALARM BEACON, and LOCKABLE LATCHES



Leading Edge Control Products

MARKETING DATA FLIER



STANDARD FEATURES

- **Type 4X Enclosure, Indoor or Outdoor Use, Pad-Lockable**
 - Standard Enclosure Size 12" x 10" x 6" (inches)
 - Opaque Door, Alarm Beacon with Red Flashing LEDs
 - Alarm Buzzer and Alarm Test/Silence Switch
- **Pump Motor Protective Switch (MPS) and IEC Contactor**
 - Combination Circuit Breaker, IEC Contactor Pump Starter, and Overload Relay with an Adjustable Pump Amp Range which Protects the Pump from Overcurrent Damage or use MPS for Pump Disconnect
- **Beacon with Vibrant Multi-Color LEDs**
 - Green (normal/pump run), Red (alarms), and Amber (error/HOA off)
 - Event LEDs will flash and normal state LEDs will be solid
- **System Status LEDs (circuit board)**
 - Power, Pump Run, Sensor/Float Activated, and Seal Fail (optional)
- **Automatic Resettable Alarm and Control Fuses**
- **Built-in Printed Circuit Board Surge Protection (conformal coated)**
- **Easily Change Configurations**
 - Sensor Error Input, Automatic or Manual Alarm Reset, Redundant Start Enable, and System Normal Beacon Disable with optional Seal Fail Pump Stop Enable and Seal Fail Buzzer Enable
- **Sensor Options (signaling device)**
 - Field Wire up to (4) Digital Inputs
 - Low Alarm/Redundant Off, Off, Start, and High Alarm
- **Included Auxiliary "Dry" Contacts**
 - Normally Open or Closed, General Alarm (any) plus Power Loss
- **Hand-Off-Auto (HOA) Pump Selector Switch**
 - Off Reminder, Yellow Flashing LEDs (beacon)
- **Configure/Test Button (interior, circuit board)**
 - Activate Alarm Test, Clear Alarms, and Enable or Disable System Configuration Settings
- **Exterior Test/Silence Switch**
 - Activated and Deactivated less than 5-seconds, Activates Alarm Test
 - Activated more than 5-seconds, Clears all Alarms
 - Silence Buzzer during Alarm

Panel Options (customize application)

- Elapsed Time Meter/Cycle Counter
- Control Circuit Breaker
- Anti-Condensation Heater
- Main Disconnect
- Lightning Arrestor
- Intrinsically Safe Circuits

ORDERING INFORMATION

For a complete list of standard products with pricing, refer to the current price sheet or scan the QR code for more information on this product.



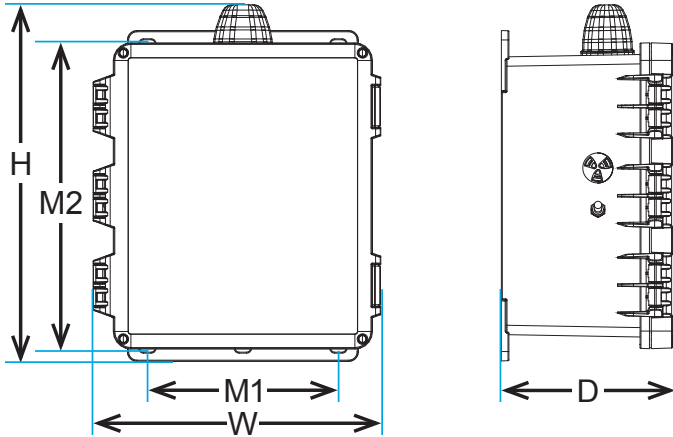
CHECK IT™ - THREE PHASE | SIMPLEX

Base Model	Control Panel Description			
CKIT3S	Check It™, Three Phase Simplex, 208/230/460VAC (460) or 230/460/575VAC (575)			
Panel Code	Pump Full Load Amps (FLA)	Control Switch Options	Panel Code	Description (narrow angle models only)
CO1-1.6	1.0 - 1.6 Amps	Number of Floats	+3	(3) Float Switches
CO1.6-2.5	1.6 - 2.5 Amps		+4	(4) Float Switches
CO2.5-4	2.5 - 4.0 Amps	Float Style	AG	Altra™ Gold Series
CO4-6	4.0 - 6.0 Amps	Activation Type <i>Normally Open = Pump Down</i> <i>Normally Closed = Pump Up</i>	H	High Level, Normally Open
CO6-10	6.0 - 10.0 Amps		L	Low Level, Normally Closed
CO9-14	9.0 - 14.0 Amps	Mounting Method (float attachment)	PS	Pipe Clamp, Stainless Steel
CO13-18	13.0 - 18.0 Amps		WC	Cable Weight, Cast Iron
CO17-23	17.0 - 23.0 Amps		WP	Cable Weight, Plastic
CO20-25	20.0 - 25.0 Amps	Cable Length (feet; standard)	20	20' Cable Length
			30	30' Cable Length
			50	50' Cable Length

Example: CKIT3S460CO4-6+3AGLPS30 = Check It™, Three Phase Simplex, 208/230/460VAC, 4-6 Amps, (3) 30' Float Switches, Stainless Steel Pipe Clamps

Check It™ Control Panel | PRODUCT DIMENSIONS and APPLICATION EXAMPLES

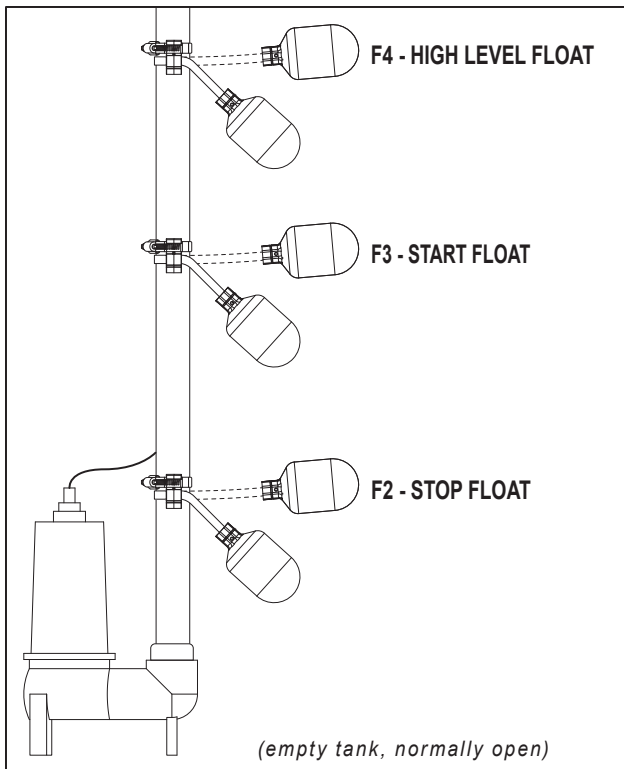
Visit alderonind.com to expand your system with other Alderon™ products for standard or custom applications



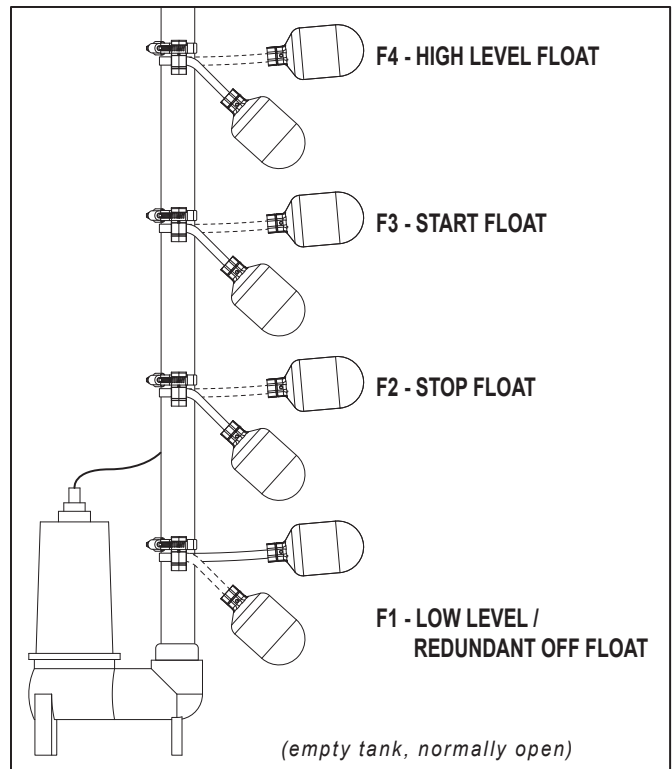
PANEL CODE (enclosure size)	OVERALL Width (W)	OVERALL Height (H)	OVERALL Depth (D)	MOUNTING Width (M1)	MOUNTING Height (M2)
Base Model (E2) 12 x 10 x 6	12.04	15.85	7.27	8.27	12.82
E3 14 x 12 x 6	14.01	17.85	7.27	10.24	14.83
E4 16 x 14 x 8	16.09	19.85	9.27	12.24	16.91
E5 18 x 16 x 10	18.16	21.85	11.27	14.25	18.99

Enclosure measurements (inches)

3-FLOAT EXAMPLE



4-FLOAT EXAMPLE



Circuit Board LED Indicators for Sensor Functions:

1. When a float switch is activated, the control panel circuit board LEDs will illuminate for all sensors which are active (F1, F2, F3, and F4).
2. When a float switch is deactivated the control panel circuit board LEDs are not illuminated for all sensors which are not active (F1, F2, F3, and F4).

