

Check It™ Control Panel

Single Phase Duplex, Overload, Type 4X (Indoor/Outdoor)

Model: CKIT1D230 | 120/240VAC; Specified Amp Ranges

OPAQUE DOOR, ALARM BEACON, and LOCKABLE LATCHES



Leading Edge Control Products

MARKETING DATA FLIER



STANDARD FEATURES

- **Type 4X Enclosure, Indoor or Outdoor Use, Pad-Lockable**
 - Standard Enclosure Size 14" x 12" x 6" (inches)
 - Opaque Door, Alarm Beacon with Red Flashing LEDs
 - Alarm Buzzer and Alarm Test/Silence Switch (silence buzzer)
- **Pump Circuit Breakers, IEC Contactors, and Overload Relays**
 - IEC Contactor Pump Starters with Overload Relays Provide an Adjustable Pump Amp Range which Protects the Pumps from Overcurrent Damage and Pump Circuit Breakers for Pump Disconnect
- **Beacon with Vibrant Multi-Color LEDs**
 - Green (normal/pump run), Red (alarms), and Amber (error/HOA off)
- **System Status LEDs (circuit board; power, pump run, and sensors)**
- **Automatic Resettable Alarm and Control Fuses**
- **Built-in Printed Circuit Board Surge Protection (conformal coated)**
- **Built-in Lag Delay Timer to Prevent Simultaneous Pump Run**
- **Pump Selector Switch (set lead pump to Pump 1, ALT, or Pump 2)**
- **Easily Change Configurations**
 - Sensor Error Input, Automatic or Manual Alarm Reset, Redundant Start Enable, Low Alarm Enable, and Lag/Alarm Disable with optional Seal Fail Pump Stop Enable, Seal Fail Buzzer Enable, and more
- **Sensor Options (signaling device)**
 - Field Wire up to (5) Digital Inputs
 - Low Alarm/Redundant Off, Off, Lead, Lag, and High Alarm
- **Included Auxiliary "Dry" Contacts**
 - Normally Open or Closed, General Alarm (any) plus Power Loss
- **Hand-Off-Auto (HOA) Pump Selector Switch (each pump)**
 - Off Reminder, Yellow Flashing LEDs (beacon) if both are Set to Off
- **Check It™ Circuit Board**
 - Check It™ Button to Simulate Pump Start Events
 - Configure/Test Button to Activate Alarm Test, Clear Alarms, and Enable or Disable System Configuration Settings
- **Exterior Test/Silence Switch**
 - Activated and Deactivated less than 5-seconds, Activates Alarm Test
 - Activated more than 5-seconds, Clears all Alarms

Panel Options (customize application)

- Elapsed Time Meters/Cycle Counters
- Control Circuit Breaker
- Anti-Condensation Heater
- Main Disconnect
- Lightning Arrestor
- Intrinsically Safe Circuits

ORDERING INFORMATION

For a complete list of standard products with pricing, refer to the current price sheet or scan the QR code for more information on this product.



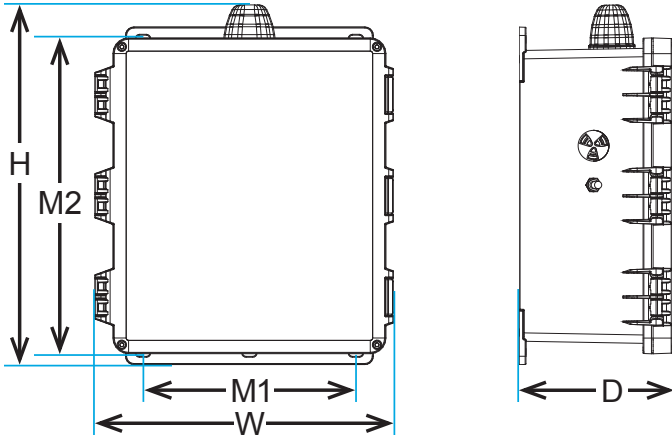
CHECK IT™ - SINGLE PHASE | DUPLEX

Base Model	Control Panel Description			
CKIT1D230	Check It™, Single Phase Duplex, Overload, 120/240VAC, Pump Circuit Breakers			
Panel Code	Pump Full Load Amps (FLA)	Control Switch Options	Panel Code	Description (narrow angle models only)
CO4-6	4.0 - 6.0 Amps	Number of Floats	+3	(3) Float Switches
CO5.5-8	5.5 - 8.0 Amps		+4	(4) Float Switches
CO7-10	7.0 - 10.0 Amps		+5	(5) Float Switches
CO9-13	9.0 - 13.0 Amps	Float Style	AG	Altra™ Gold Series
CO12-18	12.0 - 18.0 Amps	Activation Type <i>Normally Open = Pump Down</i> <i>Normally Closed = Pump Up</i>	H	High Level, Normally Open
CO16-24	16.0 - 24.0 Amps		L	Low Level, Normally Closed
CO23-30	23.0 - 30.0 Amps	Mounting Method (float attachment)	PS	Pipe Clamp, Stainless Steel
			WC	Cable Weight, Cast Iron
			WP	Cable Weight, Plastic
		Cable Length (feet; standard)	20	20' Cable Length
			30	30' Cable Length
			50	50' Cable Length

Example: CKIT1D230CO7-10+5AGHWC20 = Check It™, Single Phase Duplex, Overload, 120/240VAC, Pump Circuit Breaker, 7-10 Amps, (5) 20' Float Switches, Cast Iron Cable Weights

Check It™ Control Panel, Overload | PRODUCT DIMENSIONS and APPLICATION EXAMPLES

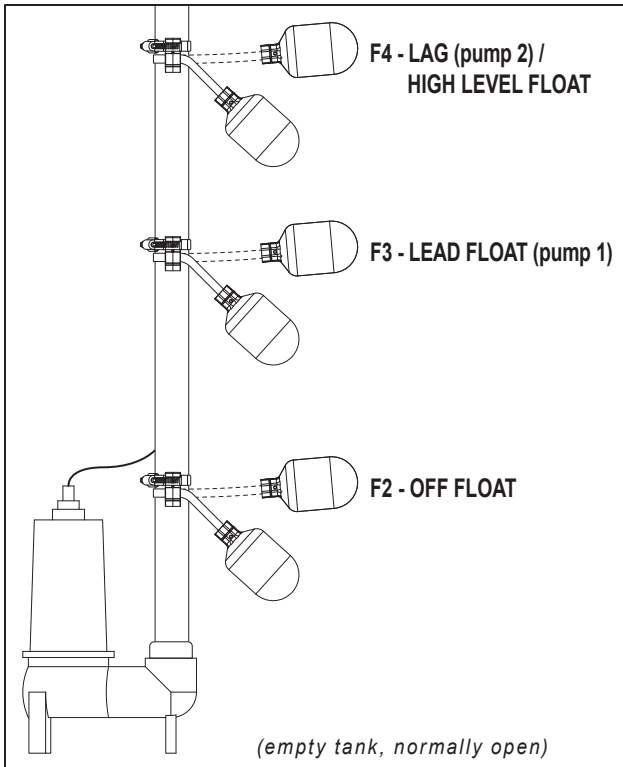
Visit alderonind.com to expand your system with other Alderon™ products for standard or custom applications



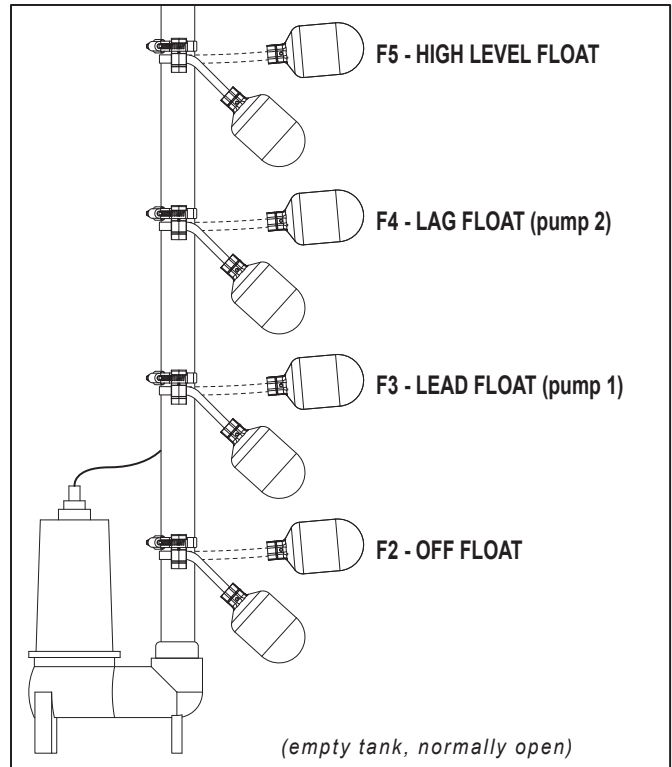
PANEL CODE (enclosure size)	OVERALL Width (W)	OVERALL Height (H)	OVERALL Depth (D)	MOUNTING Width (M1)	MOUNTING Height (M2)
Base Model (E3) 14 x 12 x 6	14.01	17.85	7.27	10.24	14.83
E4 16 x 14 x 8	16.09	19.85	9.27	12.24	16.91
E5 18 x 16 x 10	18.16	21.85	11.27	14.25	18.99
E7 24 x 24 x 10	27.36	29.79	11.50	17.94	25.19

Enclosure measurements (inches)

3-FLOAT EXAMPLE



4-FLOAT EXAMPLE



Circuit Board LED Indicators for Sensor Functions:

1. When a float switch is activated, the control panel circuit board LEDs will illuminate for all sensors which are active (F1, F2, F3, F4, and F5).
2. When a float switch is deactivated the control panel circuit board LEDs are not illuminated for all sensors which are not active (F1, F2, F3, F4, and F5).

