

Check It™ Control Panel

Single Phase Duplex, Type 4X (Indoor/Outdoor)

Model: CKIT1D230 | 120/240VAC; 1-7A, 7-15A, 15-20A, or 20-30A

OPAQUE DOOR, ALARM BEACON, and LOCKABLE LATCHES



Leading Edge Control Products

MARKETING DATA FLIER



STANDARD FEATURES

- **Type 4X Enclosure, Indoor or Outdoor Use, Pad-Lockable**
 - Standard Enclosure Size 12" x 10" x 6" (inches)
 - Opaque Door, Alarm Beacon with Red Flashing LEDs
 - Alarm Buzzer and Alarm Test/Silence Switch
- **Pump Circuit Breakers and IEC Contactor Pump Starters**
- **Beacon with Vibrant Multi-Color LEDs**
 - Green (normal/pump run), Red (alarms), and Amber (error/HOA off)
 - Event LEDs will flash and normal state LEDs will be solid
- **System Status LEDs (circuit board)**
 - Power, Pump 1/2 Run, Sensor/Float Activated, and Seal Fail (optional)
- **Automatic Resettable Alarm and Control Fuses**
- **Built-in Printed Circuit Board Surge Protection (conformal coated)**
- **Built-in Lag Delay Timer to Prevent Simultaneous Pump Run**
- **Pump Selector Switch**
 - Set the Lead Pump to Pump 1, Alternate, or Pump 2
- **Easily Change Configurations**
 - Sensor Error Input, Automatic or Manual Alarm Reset, Redundant Start Enable, System Normal Beacon Disable, Low Alarm Enable, and Lag/Alarm Disable with optional Seal Fail Pump Stop Enable and Seal Fail Buzzer Enable
- **Sensor Options (signaling device)**
 - Field Wire up to (5) Digital Inputs
 - Low Alarm/Redundant Off, Off, Lead, Lag, and High Alarm
- **Included Auxiliary "Dry" Contacts**
 - Normally Open or Closed, General Alarm (any) plus Power Loss
- **Hand-Off-Auto (HOA) Pump Selector Switch (each pump)**
 - Off Reminder, Yellow Flashing LEDs (beacon) if both are Set to Off
- **Check It™ Circuit Board**
 - Check It™ Button to Simulate Pump Start Events
 - Configure/Test Button to Activate Alarm Test, Clear Alarms, and Enable or Disable System Configuration Settings
- **Exterior Test/Silence Switch**
 - Activated and Deactivated less than 5-seconds, Activates Alarm Test
 - Activated more than 5-seconds, Clears all Alarms
 - Silence Buzzer during Alarm

Panel Options (customize application)

- Elapsed Time Meters/Cycle Counters
- Control Circuit Breaker
- Anti-Condensation Heater
- Main Disconnect
- Lightning Arrestor
- Intrinsically Safe Circuits

ORDERING INFORMATION

For a complete list of standard products with pricing, refer to the current price sheet or scan the QR code for more information on this product.



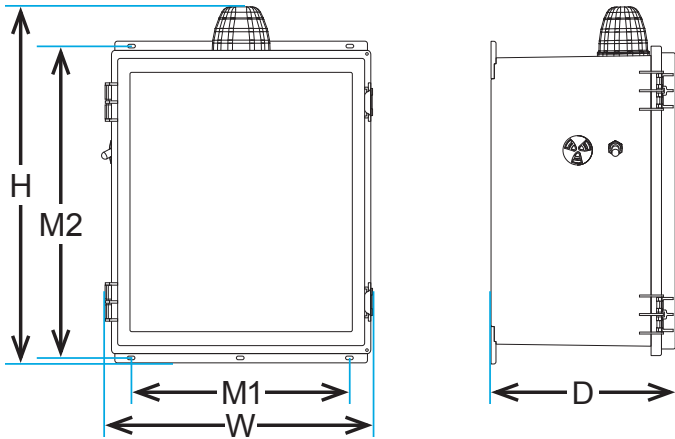
CHECK IT™ - SINGLE PHASE | DUPLEX

Base Model	Control Panel Description			
CKIT1D230	Check It™, Single Phase Duplex, 120/240VAC, Pump Circuit Breakers			
Panel Code	Pump Full Load Amps (FLA)	Control Switch Options	Panel Code	Description (narrow angle models only)
C7	1.0 - 7.0 Amps	Number of Floats	+3	(3) Float Switches
C15	7.0 - 15.0 Amps		+4	(4) Float Switches
C20	15.0 - 20.0 Amps		+5	(5) Float Switches
C30	20.0 - 30.0 Amps	Float Style	AG	Altra™ Gold Series
		Activation Type <i>Normally Open = Pump Down</i> <i>Normally Closed = Pump Up</i>	H	High Level, Normally Open
			L	Low Level, Normally Closed
		Mounting Method (float attachment)	PS	Pipe Clamp, Stainless Steel
			WC	Cable Weight, Cast Iron
			WP	Cable Weight, Plastic
		Cable Length (feet, standard)	20	20' Cable Length
			30	30' Cable Length
			50	50' Cable Length

Example: CKIT1D230C7+4AGHWP50 = Check It™, Single Phase Duplex, 120/240VAC, Pump Circuit Breaker, 1-7 Amps, (4) 50' Float Switches, Plastic Cable Weights

Check It™ Control Panel | PRODUCT DIMENSIONS and APPLICATION EXAMPLES

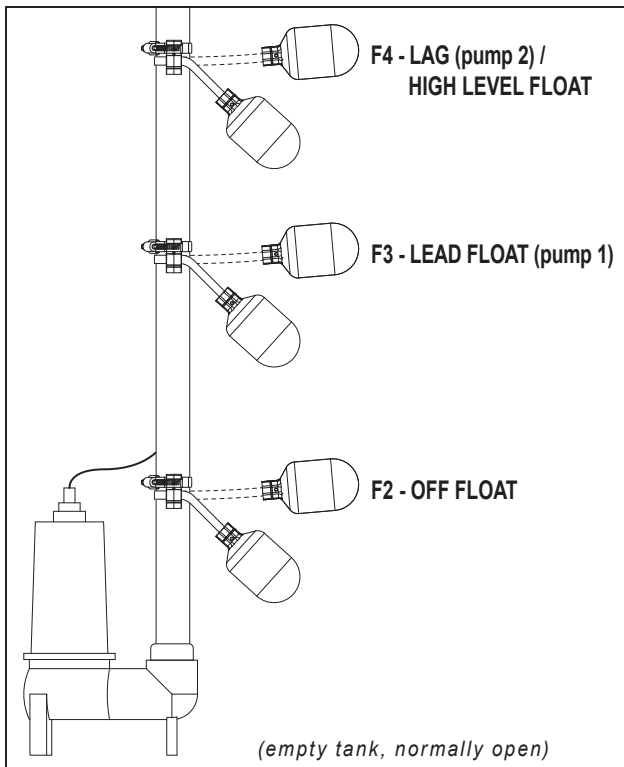
Visit alderonind.com to expand your system with other Alderon™ products for standard or custom applications



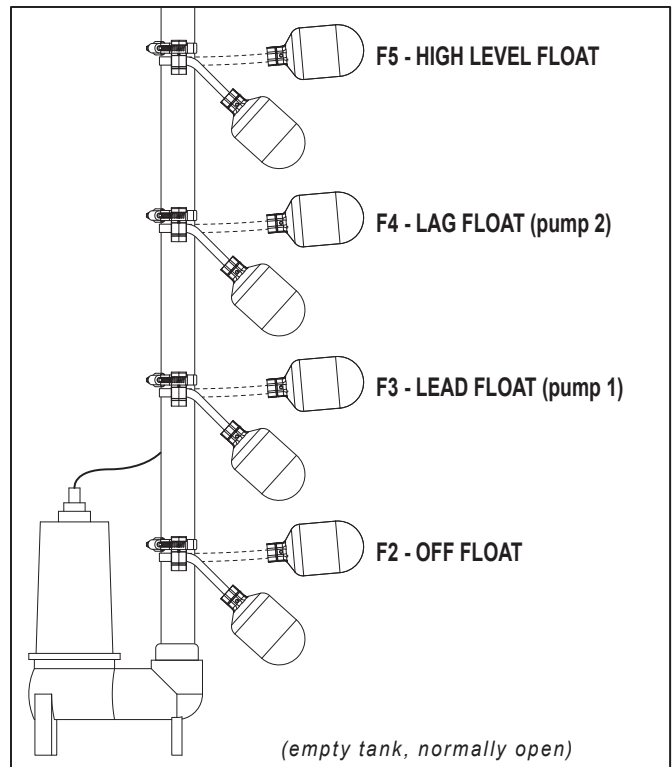
PANEL CODE (enclosure size)	OVERALL Width (W)	OVERALL Height (H)	OVERALL Depth (D)	Mounting Width (M1)	Mounting Height (M2)
Base Model (E2) 12 x 10 x 6	12.17	16.08	7.28	8.56	13.34
E3 14 x 12 x 6	14.01	17.85	7.27	10.24	14.83
E4 16 x 14 x 8	16.09	19.85	9.27	12.24	16.91
E5 18 x 16 x 10	18.16	21.85	11.27	14.25	18.99
E7 24 x 24 x 10	27.36	29.79	11.50	17.94	25.19

Enclosure measurements (inches)

3-FLOAT EXAMPLE



4-FLOAT EXAMPLE



Circuit Board LED Indicators for Sensor Functions:

1. When a float switch is activated, the control panel circuit board LEDs will illuminate for all sensors which are active (F1, F2, F3, F4, and F5).
2. When a float switch is deactivated the control panel circuit board LEDs are not illuminated for all sensors which are not active (F1, F2, F3, F4, and F5).

