

Check It™ Control Panel

Single Phase Simplex, Type 4X (Indoor/Outdoor)

Model: CKIT1S230 | 120/240VAC; 1-7A, 7-15A, 15-20A, or 20-30A

OPAQUE DOOR, ALARM BEACON, and LOCKABLE LATCH



Leading Edge Control Products

MARKETING DATA FLIER



STANDARD FEATURES

- **Type 4X Enclosure, Indoor or Outdoor Use, Pad-Lockable**
 - Standard Enclosure Size 10" x 8" x 4" (inches)
 - Opaque Door, Alarm Beacon with Red Flashing LEDs
 - Alarm Buzzer and Alarm Test/Silence Switch
- **Pump Circuit Breaker and IEC Contactor Pump Starter**
- **Beacon with Vibrant Multi-Color LEDs**
 - Green (normal/pump run), Red (alarms), and Amber (error/HOA off)
 - Event LEDs will flash and normal state LEDs will be solid
- **System Status LEDs (circuit board)**
 - Power, Pump Run, Sensor/Float Activated, and Seal Fail (optional)
- **Automatic Resettable Alarm and Control Fuses**
- **Built-in Printed Circuit Board Surge Protection (conformal coated)**
- **Easily Change Configurations**
 - Sensor Error Input, Automatic or Manual Alarm Reset, Redundant Start Enable, and System Normal Beacon Disable with optional Seal Fail Pump Stop Enable and Seal Fail Buzzer Enable
- **Sensor Options (signaling device)**
 - Field Wire up to (4) Digital Inputs
 - Low Alarm/Redundant Off, Off, Start, and High Alarm
- **Included Auxiliary "Dry" Contacts**
 - Normally Open or Closed, General Alarm (any) plus Power Loss
- **Hand-Off-Auto (HOA) Pump Selector Switch**
 - Off Reminder, Yellow Flashing LEDs (beacon)
- **Configure/Test Button (interior, circuit board)**
 - Activate Alarm Test, Clear Alarms, and Enable or Disable System Configuration Settings
- **Exterior Test/Silence Switch**
 - Activated and Deactivated less than 5-seconds, Activates Alarm Test
 - Activated more than 5-seconds, Clears all Alarms
 - Silence Buzzer during Alarm

Panel Options (customize application)

- Elapsed Time Meter/Cycle Counter
- Control Circuit Breaker
- Anti-Condensation Heater
- Main Disconnect
- Lightning Arrestor
- Intrinsically Safe Circuits

ORDERING INFORMATION

For a complete list of standard products with pricing, refer to the current price sheet or scan the QR code for more information on this product.



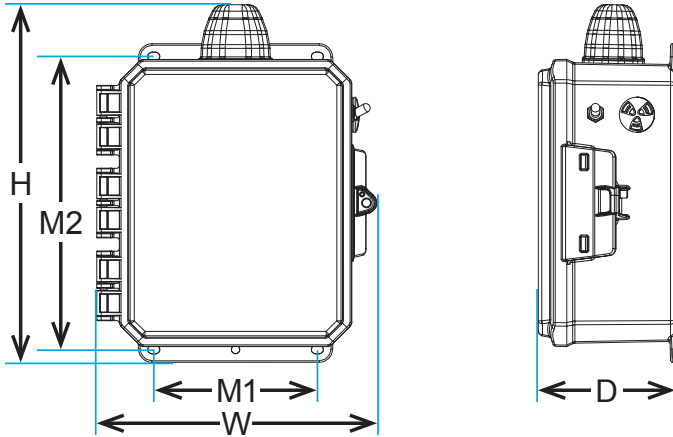
CHECK IT™ - SINGLE PHASE | SIMPLEX

| Base Model | Control Panel Description | | | |
|------------|---|---|------------|--|
| CKIT1S230 | Check It™, Single Phase Simplex, 120/240VAC, Pump Circuit Breaker | | | |
| Panel Code | Pump Full Load Amps (FLA) | Control Switch Options | Panel Code | Description (narrow angle models only) |
| C7 | 1.0 - 7.0 Amps | Number of Floats | +3 | (3) Float Switches |
| C15 | 7.0 - 15.0 Amps | Float Style | +4 | (4) Float Switches |
| C20 | 15.0 - 20.0 Amps | Activation Type <i>Normally Open = Pump Down</i> <i>Normally Closed = Pump Up</i> | AG | Altra™ Gold Series |
| C30 | 20.0 - 30.0 Amps | Mounting Method (float attachment) | H | High Level, Normally Open |
| | | | L | Low Level, Normally Closed |
| | | | PS | Pipe Clamp, Stainless Steel |
| | | | WC | Cable Weight, Cast Iron |
| | | | WP | Cable Weight, Plastic |
| | | Cable Length (feet; standard) | 20 | 20' Cable Length |
| | | | 30 | 30' Cable Length |
| | | | 50 | 50' Cable Length |

Example: CKIT1S230C20+3AGHPS30 = Check It™, Single Phase Simplex, 120/230VAC, Pump Circuit Breaker, 1-7 Amps, (3) 30' Float Switches, Stainless Steel Pipe Clamps

Check It™ Control Panel | PRODUCT DIMENSIONS and APPLICATION EXAMPLES

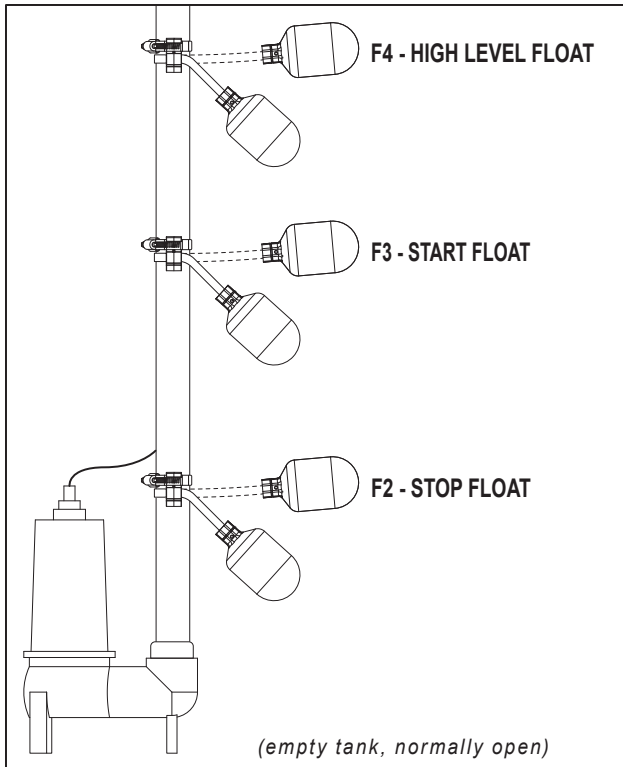
Visit alderonind.com to expand your system with other Alderon™ products for standard or custom applications



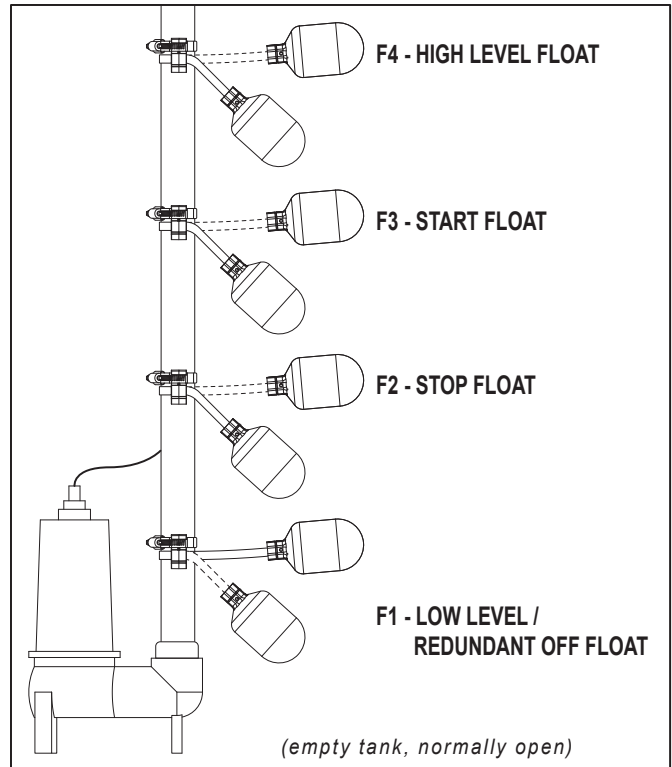
| PANEL CODE (enclosure size) | OVERALL Width (W) | OVERALL Height (H) | OVERALL Depth (D) | MOUNTING Width (M1) | MOUNTING Height (M2) |
|--------------------------------------|-------------------|--------------------|-------------------|---------------------|----------------------|
| Base Model (E1) 10 x 8 x 4 | 10.27 | 13.69 | 5.01 | 6.13 | 10.75 |
| E2 12 x 10 x 6 | 12.04 | 15.85 | 7.27 | 8.27 | 12.82 |
| E3 14 x 12 x 6 | 14.01 | 17.85 | 7.27 | 10.24 | 14.83 |
| E4 16 x 14 x 8 | 16.09 | 19.85 | 9.27 | 12.24 | 16.91 |
| E5 18 x 16 x 10 | 18.16 | 21.85 | 11.27 | 14.25 | 18.99 |

Enclosure measurements (inches)

3-FLOAT EXAMPLE



4-FLOAT EXAMPLE



Circuit Board LED Indicators for Sensor Functions:

1. When a float switch is activated, the control panel circuit board LEDs will illuminate for all sensors which are active (F1, F2, F3, and F4).
2. When a float switch is deactivated the control panel circuit board LEDs are not illuminated for all sensors which are not active (F1, F2, F3, and F4).

