

# VersAlarm™ 2-Zone Alarm



Leading Edge Control Products

Standard | Rated Type 1, Indoor Alarm Panel

MODEL: VA-03, ALARM PANEL ONLY

TECHNICAL DATA SHEET

## DESCRIPTION OF OPERATION



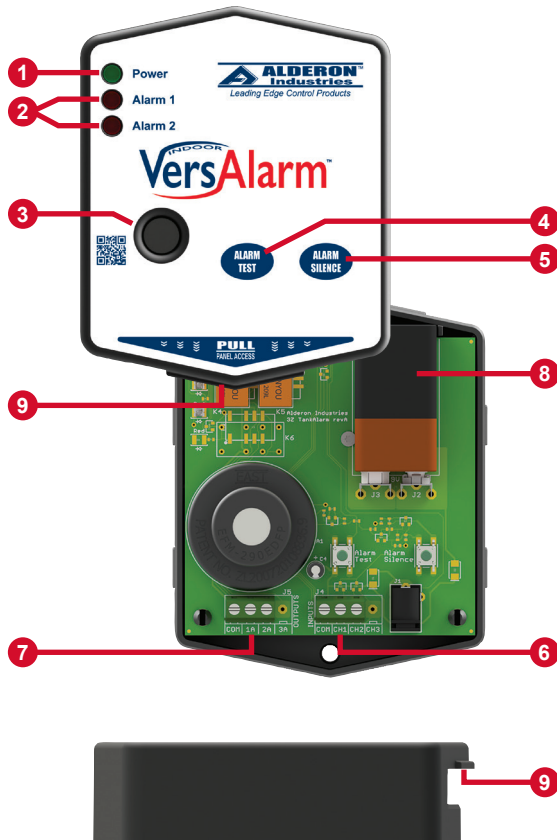
The VersAlarm™ 2-Zone Alarm is an indoor rated alarm panel, powered by a standard 120VAC wall outlet. The green power LED will illuminate (solid) when powered. The VersAlarm™ is a multipurpose alarm panel that can be used for a variety of applications, including but not limited to: septic tanks, sumps, holding tanks, pump chambers, water tanks, flow, pressure, condensate, temperature, and any others where a "dry" contact can be connected to the alarm panel.

The alarm panel is equipped with audible and visual alarm indication for two zones with separate sensors connected to the terminal block. A variety of sensors can be used such as a float switch, pressure switch, or any "dry" type sensor that "closes" during an alarm condition (normally open or normally closed). Installing a 9VDC battery (not included) provides battery backup during power outages. Use the auxiliary contacts to connect to building automation systems (BAS) and phone dialers. Multiple sensors (signaling device) can be connected for expanded monitoring.

An alarm condition occurs when the sensor (signaling device) contacts for zone-1 and/or zone-2 are activated, during which the red alarm LED(s) will illuminate (solid), buzzer will annunciate (solid), and the auxiliary contacts will activate. The alarm condition for the zone(s) activated will stay on until the sensor(s) are deactivated. If the alarm silence pushbutton is pressed during an alarm condition, it will silence the buzzer while the alarm LED(s) remain on. The silence condition(s) will reset when the sensor(s) deactivate and the alarm panel will auto reset for the next alarm cycle.

NOTE: If zone-1 is in an alarm condition and the buzzer is silenced, and then zone-2 goes into an alarm condition, the buzzer will reactivate until the alarm silence pushbutton is pressed to acknowledge that a new alarm condition has occurred.

## STANDARD FEATURES



(1) **Power LED** - A green LED illuminates (solid) on the front of the alarm panel to indicate the power is on.

(2) **Alarm LED** - During an alarm condition in zone-1, the red alarm 1 LED will illuminate (solid) on the front of the alarm panel. During an alarm condition in zone-2, the red alarm 2 LED will illuminate on the front of the alarm panel.

(3) **Alarm Buzzer** - The alarm buzzer will annunciate (solid) in addition to the visual indication provided by the red alarm LEDs during an alarm condition in either or both, zone-1 and zone-2.

(4) **Alarm Test Pushbutton** - Press the pushbutton to test the alarm to ensure proper operation. The buzzer should annunciate, alarm LEDs should illuminate, and auxiliary contacts should activate.

(5) **Alarm Silence Pushbutton** - Press the pushbutton to silence the buzzer during an alarm condition. The alarm LEDs remain illuminated until the alarm condition has been cleared and the alarm panel will auto reset for the next alarm cycle.

(6) **Sensor Inputs** - Connect a field installed sensor to the terminals from the monitoring area.

(7) **Auxiliary Contacts** - Interface with an external device including BAS systems and phone dialers. The normally open dry contacts can switch 24VDC, 500mA maximum (each).

(8) **Battery Backup** - Install a 9VDC battery (not included) for battery backup during power outages. The power LED will not illuminate during battery backup mode to conserve battery power.

(9) **Panel Access** - Pull the cover off to access the panel, includes an open wiring compartment to safely route wires while connecting sensors and auxiliary dry contacts.

# SPECIFICATIONS

## VersAlarm™ 2-Zone Alarm, Panel Only



**Primary Power**  
120VAC, 50/60 Hz

**Circuit Board Primary Power**  
11.1VDC, 500mA maximum

**Circuit Board Secondary Power**  
9VDC, standard 9VDC battery  
(battery backup; not included)

**Watts**  
1.4 Watts

**Field Connection Sensor**  
9-10VDC, 200mA minimum (signaling device)  
Terminals COM and CH1 = Zone-1 Sensor (Alarm 1)  
Terminals COM and CH2 = Zone-2 Sensor (Alarm 2)

**Auxiliary Contacts**  
24VDC, 500mA maximum (each)  
Normally Open  
Terminals COM and 1A = Zone-1 (Alarm 1)  
Terminals COM and 2A = Zone-2 (Alarm 2)

**Auxiliary Alarm Power**  
8-10.2VDC, 150mA maximum

**LEDs**  
Green (power) and Red (alarm)

**Buzzer**  
85 dB @ 10-feet

**Wall-Mounted Power Supply**  
120VAC, 50/60 Hz (input)  
11.1VDC, 500mA maximum (output)  
(6-foot cord)

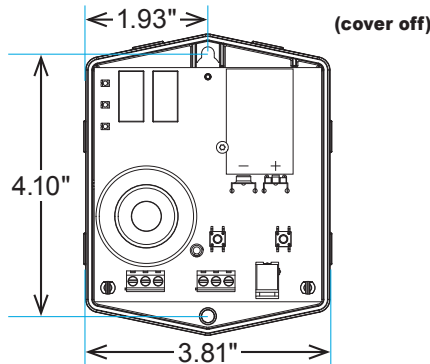
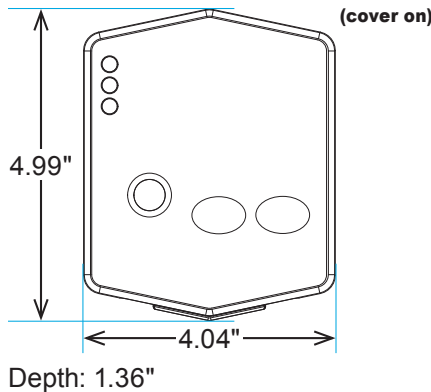
**Enclosure**  
Thermoplastic  
5 x 4 x 1.3 (inches)  
Type 1, Indoor  
Removable Cover

**Certifications**  
CSA (US and Canada)

**Three-Year Limited Warranty**

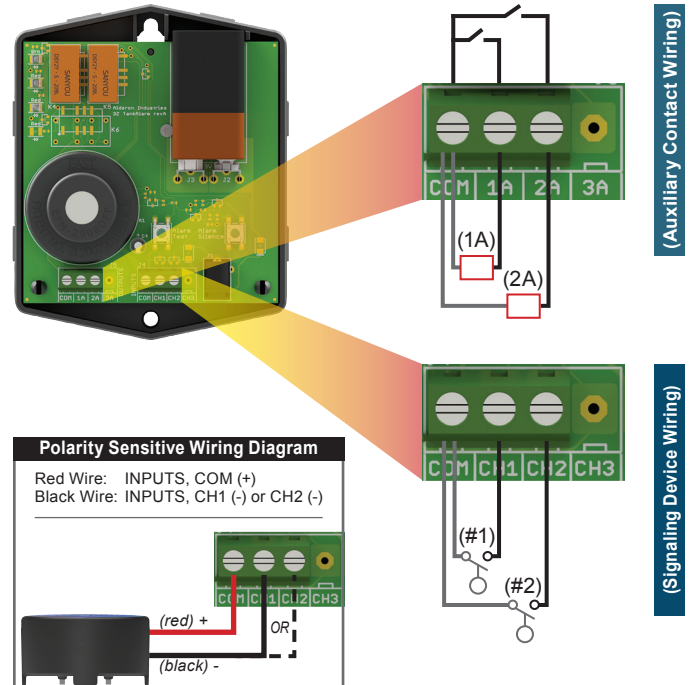
## MECHANICAL DRAWING

VersAlarm™ 2-Zone Alarm Panel



## WIRING EXAMPLES

The alarm panel includes terminals for: auxiliary contacts and sensor (signaling device) inputs to monitor two zones. For sensors with polarity sensitive wiring, refer to secondary diagram.



## ORDERING INFORMATION

For a complete list of standard products with pricing, refer to the current year price sheet or visit [alderonind.com](http://alderonind.com) for more information.

PART NUMBER	DESCRIPTION (Alarm Panel includes: Auto Reset, Battery Backup, and Auxiliary Contacts)
2010598	VersAlarm™ 2-Zone Indoor Alarm (Alarm Panel Only)
VERSALARM™ INDOOR ALARM ACCESSORIES   EXPANDED APPLICATIONS	
7008	WaterSpotter™ Flood Sensor, AWS Series, 15' Cable
2000519	Alarm Advisor™ Sump Sensor with Bracket (24VDC, 100mA maximum), 15' Cable, Stainless Steel Pipe Clamp
2000520	Alarm Advisor™ Sump Sensor with Bracket (24VDC, 100mA maximum), 20' Cable, Stainless Steel Pipe Clamp
2001077	15' Altra™ Narrow Angle Control Switch, Normally Open (high level), Stainless Steel Pipe Clamp, Bagged
2001104	20' Altra™ Narrow Angle Control Switch, Normally Open (high level), Stainless Steel Pipe Clamp, Bagged
2001086	15' Altra™ Narrow Angle Control Switch, Normally Closed (low level), Stainless Steel Pipe Clamp, Bagged
2001113	20' Altra™ Narrow Angle Control Switch, Normally Closed (low level), Stainless Steel Pipe Clamp, Bagged