

FLEX™ Control Panel

Single Phase Simplex, Type 4X (Indoor/Outdoor)

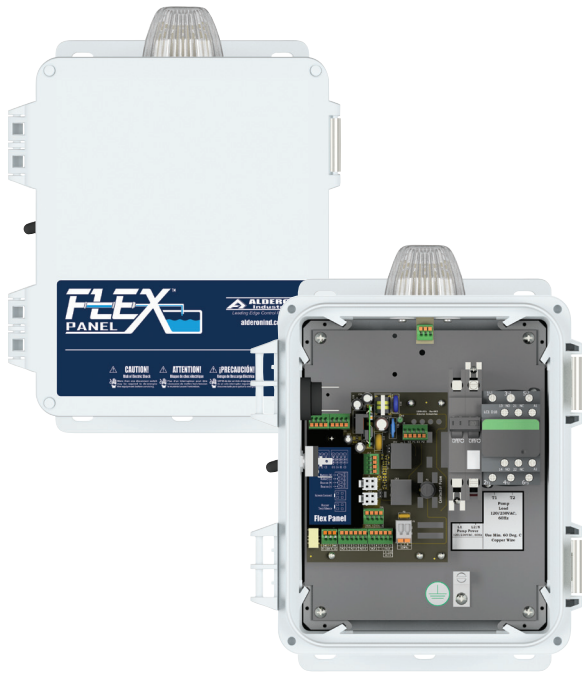
Model: FLXO1S230 | 120/240VAC; 1-7A, 7-15A, or 15-20A

OPAQUE DOOR, ALARM BEACON, and LOCKABLE LATCHES



Leading Edge Control Products

MARKETING DATA FLIER



STANDARD FEATURES

- **Type 4X Enclosure, Indoor or Outdoor Use, Pad-Lockable**
 - Standard Enclosure Size 10" x 8" x 6" (inches)
 - Opaque Door, Alarm Beacon with Red Flashing LEDs
 - Inner Door, View OLED Screen with Alarm and Status Indicator LEDs
 - Alarm Buzzer and Alarm Test/Silence Switch
- **Pump Circuit Breaker and IEC Contactor Pump Starter**
- **Beacon with Vibrant Multi-Color LEDs (select indicators listed)**
 - Green (normal), Red (alarms), Blue (pump run), and Red/Yellow (error)
- **Automatic Resettable Alarm and Control Fuses**
- **Built-in Printed Circuit Board Surge Protection (conformal coated)**
- **Easily Change Configurations**
 - Demand Dosing, Timed Dosing, Transducer Settings, Enable Pump Exerciser, and Seal Fail Alarm or Pump Shutdown
- **Sensor Options (signaling device)**
 - Field Wire up to (5) Digital Inputs
 - Low Alarm/Redundant Off, Off, Start, and High Alarm
 - Configure 5th Input for 4-20mA Submersible Transducer or Digital Input for Auxiliary Switch
- **Statistic Tracking**
 - Pump Elapsed Time, Min/Max/Avg Pump Run Times, Pump Cycle Counter, Total Gallons Pumped, High Level Stats, and More
- **Included Auxiliary "Dry" Contacts**
 - Pump Run and General Alarm
 - Configurable Reverse Operated for General Alarm plus Power Loss
- **Hand-Off-Auto (HOA) Pump Selector Switch**
 - Off Reminder, Yellow Flashing LEDs and Displays "Pump Disabled"
 - Configurable Pump Disable
- **Scroll Wheel and Digital Display (password protected settings)**
 - Navigate Menu, Access Statistics Tracking, Configure Settings, and Displays System Information on OLED Screen
- **Exterior Test/Silence Switch**
 - Quick View of Pump and Alarm Stats, Alarm Test, or Silence Buzzer

Panel Options (customize application)

- Current Sensor (displays and monitors Amps)
- Anti-Condensation Heater
- Main Disconnect
- Lightning Arrestor
- Intrinsically Safe Circuits
- Vizzy.Site™ Remote Monitoring

ORDERING INFORMATION

Scan the QR code for more information on this product and website includes pricing.

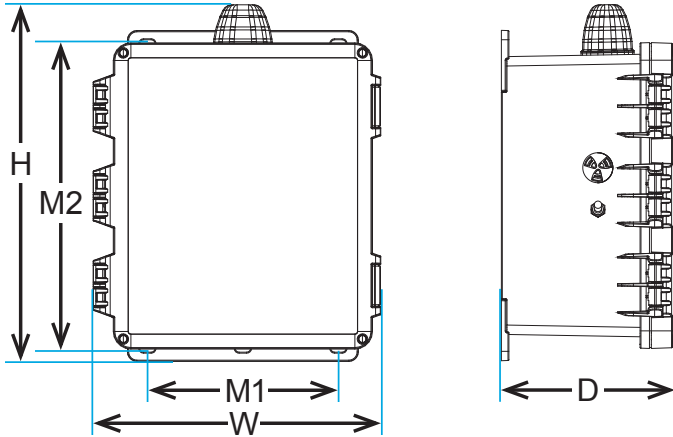


FLEX™ - SINGLE PHASE | SIMPLEX

Base Model	Control Panel Description			
FLXO1S230	FLEX™, Opaque Door, Single Phase Simplex, 120/240VAC			
Panel Code	Pump Full Load Amps (FLA)	Control Switch Options	Panel Code	Description (narrow angle models only)
C7	1.0 - 7.0 Amps	Number of Control Switches	+2	(2) Control Switches (with transducer)
C15	7.0 - 15.0 Amps		+3	(3) Control Switches
C20	15.0 - 20.0 Amps		+4	(4) Control Switches
		Float Style	AG	Altra™ Gold Series
		Activation Type (Pump Down)	H	High Level, Normally Open
		Mounting Method (float attachment)	PS	Pipe Clamp, Stainless Steel
			WC	Cable Weight, Cast Iron
			WP	Cable Weight, Plastic
		Cable Length (feet; standard)	20	20' Cable Length
			30	30' Cable Length
			50	50' Cable Length
			75	75' Cable Length
			100	100' Cable Length
Example: FLXO1S230C15+4AGHWC30 = FLEX™, Opaque Door, Single Phase Simplex 120/240VAC, 7-15A, (4) 30' Control Switches, Cast Iron Cable Weights				

FLEX™ Control Panel | PRODUCT DIMENSIONS and REMOTE MONITORING

Optionally connected to the Alderon™ cloud based Vizzy.Site™ for alarm and pump tracking statistics



PANEL CODE (enclosure size)	OVERALL Width (W)	OVERALL Height (H)	OVERALL Depth (D)	MOUNTING Width (M1)	MOUNTING Height (M2)
Base Model (E1) 10 x 8 x 6	10.03	13.85	7.27	6.26	10.85
E2 12 x 10 x 6	12.04	15.85	7.27	8.27	12.82
E3 14 x 12 x 6	14.01	17.85	7.27	10.24	14.83
E4 16 x 14 x 8	16.09	19.85	9.27	12.24	16.91
E5 18 x 16 x 10	18.16	21.85	11.27	14.25	18.99
Enclosure measurements (inches)					


OPTIONAL - REMOTE MONITORING

Vizzy.Site™ | 3 WAYS to CONNECT

- 1 WIFI**
Panel is connected where the WiFi signal is available AT the panel location ~ Panel Code: V1
- 2 ZIGBEE WIRELESS to WIRELESS WIFI**
Panel is connected up to 1,000 feet (*line of sight*) AWAY FROM where a WiFi signal is available from the panel location ~ Panel Code: V2
- 3 VERIZON CELLULAR**
Panel is connected as long as a Verizon cellular signal is available at the panel location ~ Panel Code: V3 (USA) and V4 (Canada)

ACCESS YOUR VIZZY DEVICE

Connect and register your wireless device to the cloud based Vizzy.Site™ to begin monitoring and receiving text and email alerts for system conditions.



Vizzy Portal

(Click Here To Access Your Device On Vizzy Portal)

MONITOR YOUR SYSTEM ANYWHERE with a SMARTPHONE, TABLET, or COMPUTER

When the product is connected to the Alderon™ Vizzy.Site™ cloud for remote monitoring; view product information for the device, configuration, event history, stats, alert rules, and information. Each tab includes additional information and selections to change system settings or view alarm and pump statistics.

Statistic examples include: System Pumping, Pump Run Stats, Pump Auxiliary Cutoff, Pump Overcurrent, Pump Undercurrent, Pump Seal Sensor Alarm, High Water Alarm, and Low Water Alarm.

Example:

Pump 1 Overcurrent

PRESS the 'Clear Resettable' button to "reset" statistic to zero.

NOTE: Lifetime statistic values are NOT resettable

Alarm Count Clear Resettable

Resettable Value: 0

Lifetime Value: 0

Last Updated: 02/03 09:49:56 AM

Average Peak Current Observed On Overcurrent Alarm Clear Resettable

Resettable Value: 0 Amps

Lifetime Value: 0 Amps

Last Updated: 02/03 09:49:58 AM

SUBSCRIPTIONS:

Options V1 and V2 | WiFi or Zigbee to WiFi

- VIZZY™ FREE - \$0.00 | high or low level alarm monitoring only
- VIZZY™ PRO - \$99.00/YEAR | full system monitoring of alarms and events, pump statistics, and more

Options V3 (USA) and V4 (Canada) | Cellular

- VIZZY™ PRO - \$299.00/YEAR | full system monitoring of alarms and events, pump statistics, and more