

VersAlarm™ 4X 2-Zone Alarm



Leading Edge Control Products

Rated Type 4X, Outdoor Alarm Panel, 4 x 4 Thermoplastic Enclosure

OPTIONAL ACCESSORIES: CONTROL SWITCH and FILTER SWITCH

TECHNICAL DATA SHEET

DESCRIPTION OF OPERATION



The VersAlarm™ 4X 2-Zone Alarm with included auxiliary contacts is outdoor rated and powered by 120VAC or 240VAC (voltage depends on model) with conduit connections (required). When powered, the green LEDs (bottom/middle) will illuminate (solid) to indicate the alarm is powered and the included two-level press-and-hold feature can disable LEDs. Install a 9VDC lithium battery (not included) for battery backup during power outages, alarm LEDs and buzzer give two quick pulses every 10-seconds to indicate a low battery. This alarm panel can be used for a wide variety of applications, including but not limited to: septic tanks, sump pits, holding tanks, pump chambers, and water tanks.

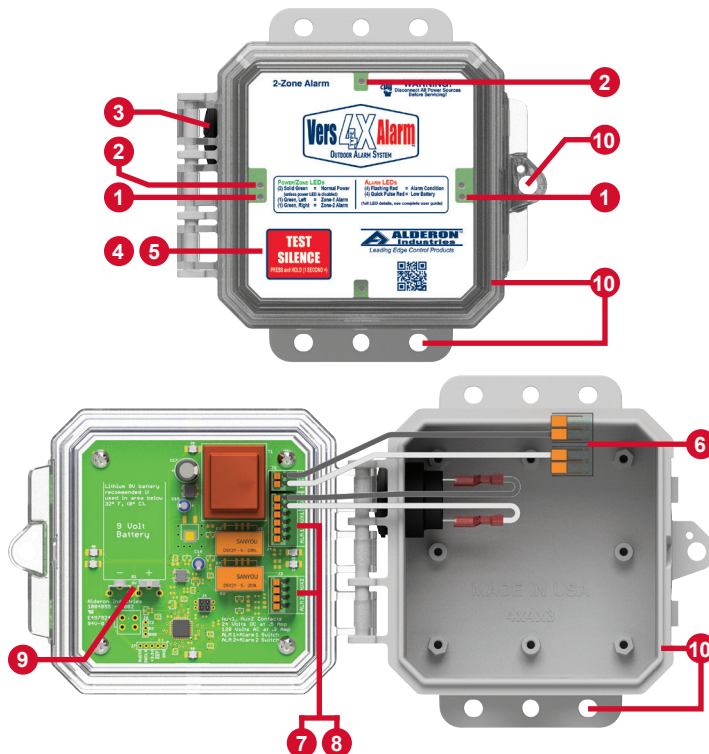
The alarm panel is equipped with audible and visual alarm indication, activated by a normally open or normally closed sensor wired to the quick connect terminals for monitoring two zones. A variety of sensors can be used such as a float switch, pressure switch, or any "dry" type sensor that "closes" during an alarm condition (normally open or normally closed). Use the auxiliary contacts to connect to building automation systems (BAS) and phone dialers.

Use normally open float switches for high level alarm indication and normally closed float switches for low level alarm indication.

An alarm condition occurs when the sensor (signaling device) contact is activated for zone-1 and/or zone-2, during which the red alarm LEDs will illuminate (flashing) with the green LED illuminated (solid) for zone-1 (left) and/or zone-2 (right) alarm indication, buzzer will annunciate with a pulse tone, and auxiliary contacts will activate. The alarm condition will stay on until the sensor for zone-1 and/or zone-2 is deactivated. Press and hold (1-second +) the test/silence capacitive touch button to silence the buzzer during an alarm condition, the alarm LEDs remain illuminated, flashing. The silence condition will reset when the sensor for zone-1 and/or zone-2 deactivates and the alarm will auto reset for the next alarm cycle. Test alarm monthly to ensure system integrity.

NOTE: If zone-1 is in an alarm condition and the buzzer is silenced, and then zone-2 goes into an alarm condition, the buzzer will reactivate until the test/silence button is pressed to acknowledge that a new alarm condition has occurred.

STANDARD FEATURES



(1) **Power / Zone Indicator LEDs** - Two green LEDs (bottom/middle) illuminate (solid) to indicate the alarm is powered. The left (zone-1) and right (zone-2) green LEDs are used as zone indicators during an alarm condition.

(2) **Alarm LEDs** - Four red LEDs illuminate (flashing) during an alarm condition (top, bottom, and top/middle) and low battery (pulse).

(3) **Alarm Buzzer** - Annunciates a pulse tone in addition to the visual indication provided by the red alarm and green zone LEDs during an alarm condition. Quick pulse tones indicate low battery.

(4) **Test/Silence Capacitive Touch Button** - Press and hold (1-second +) the button to test alarm, silence the buzzer during an alarm condition, or turn off the LEDs (green/red).

(5) **Power/Alarm LEDs Off** - Press and hold the test/silence button for 8-seconds to disable the green power LEDs. Press and hold for 16-seconds to disable the red low battery alarm LEDs. Repeat the process for each to turn back on.

(6) **Incoming Power Wago Connectors** - Connect incoming power to the respective Wago connectors (L1 and L2/N), the voltage and included connectors depends on model.

(7) **Auxiliary "Dry" Contacts** - Interface with an external device. The contacts (normally open) are rated 120VAC at 0.3A and 24VDC at 0.5A maximum. Quick connect terminals (AUX1 and AUX2).

(8) **Sensor Input** - Quick connect terminals (ALM1 and ALM2) for the field installed sensor (signaling device) for zone-1 and zone-2.

(9) **Battery Terminals** - Install a 9VDC lithium battery (not included) for battery backup during power outages.

(10) **Enclosure and Mounting Holes** - Rated Type 4X (outdoor), includes six mounting holes, lockable latch, and is thermoplastic.

SPECIFICATIONS

VersAlarm™ 4X 2-Zone Outdoor Alarm, Panel Only

Primary Power

120VAC or 240VAC, 50/60 Hz
(voltage depends on model)

Secondary Power

9-10VDC, 200mA

Watts

3.0 Watts

Field Connection Sensor

9-10VDC, 1mA minimum
(signaling device)

Auxiliary Contacts

120VAC, 0.3A maximum
24VDC, 0.5A maximum
Normally Open; Single Pole, Single Throw

LEDs

Green (power and zone indicator)
Red (alarm conditions and low battery)

Buzzer

5-30VDC, 95 dB @ 2-feet

Control Transformer

120VAC or 240VAC, 2.4VA
(voltage depends on model)

Battery Backup

Lithium 9VDC battery
(not included)

Enclosure

Thermoplastic
4 x 4 x 3 (inches)
Type 4X, Outdoor
Lockable Latch

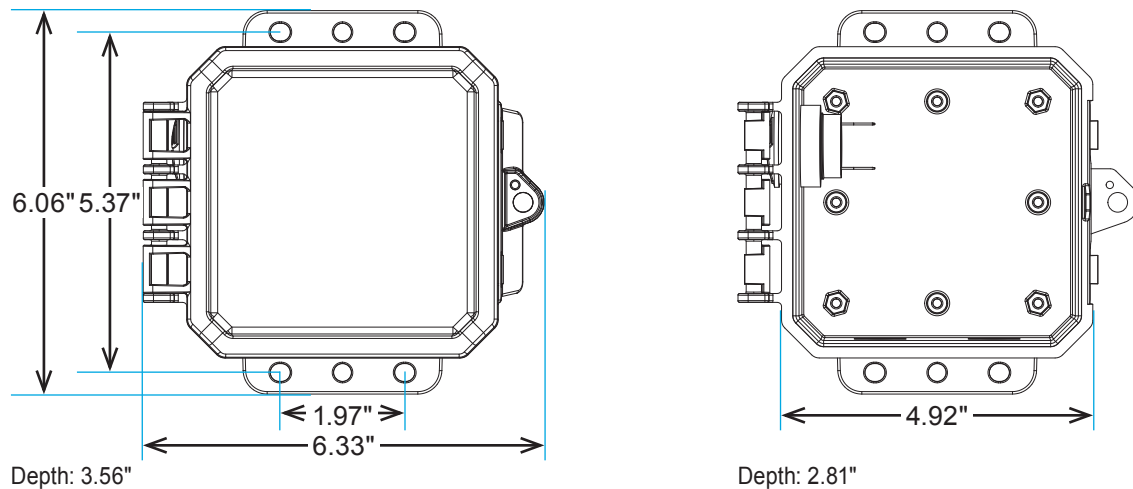
Certifications

CSA (US and Canada)

Three-Year Limited Warranty

MECHANICAL DRAWING

VersAlarm™ 4X 2-Zone Outdoor Alarm (Cover On and Cover Off)



ORDERING INFORMATION

For a complete list of standard products with pricing, refer to the current year price sheet or visit alderonind.com for more information.

PART NUMBER	DESCRIPTION (Alarm Panel includes: Auto Reset, Battery Backup, and Auxiliary Contacts)
2000288	VersAlarm™ 4X, 2-Zone, Type 4X - Outdoor Alarm, 120VAC (Alarm Panel Only)
2000289	VersAlarm™ 4X, 2-Zone, Type 4X - Outdoor Tank Alarm, 120VAC, High Level, 15' Alarm Float, RubberLox™ Pipe Clamp, 15' Filter Switch
2000290	VersAlarm™ 4X, 2-Zone, Type 4X - Outdoor Tank Alarm, 120VAC, High Level, 20' Alarm Float, RubberLox™ Pipe Clamp, 20' Filter Switch
7739	15' Filter Switch, Normally Open, 10VA, 12VAC/DC to 120VAC
2001078	15' Altra™ Narrow Angle Control Switch, 120/240VAC, 5A, Normally Open (high level or pump down), RubberLox™ Pipe Clamp, Bagged
2001105	20' Altra™ Narrow Angle Control Switch, 120/240VAC, 5A, Normally Open (high level or pump down), RubberLox™ Pipe Clamp, Bagged
2001087	15' Altra™ Narrow Angle Control Switch, 120/240VAC, 5A, Normally Closed (low level or pump up), RubberLox™ Pipe Clamp, Bagged
2001079	20' Altra™ Narrow Angle Control Switch, 120/240VAC, 5A, Normally Closed (low level or pump up), RubberLox™ Pipe Clamp, Bagged