

VersAlarm™ I/O 1-Zone Tank Alarm



Leading Edge Control Products

Rated Type 3R, Indoor / Outdoor Alarm Panel

TANK ALARM with CONTROL SWITCH

TECHNICAL DATA SHEET

DESCRIPTION OF OPERATION



The VersAlarm™ I/O 1-Zone Tank Alarm is an indoor and outdoor rated alarm panel, powered by 120VAC or 230VAC with conduit connections (required). When powered, the green LED will illuminate inside the top cover of the enclosure to indicate the unit is powered on. This alarm can be used for a wide variety of applications, including but not limited to: septic tanks, sump pits, holding tanks, pump chambers, and water tanks. Available in 120VAC or 230VAC models.

The alarm panel is equipped with audible and visual alarm indication, activated by the normally open or normally closed float switch connected to the terminal block. A variety of sensors can be used such as a float switch, pressure switch, or any "dry" type sensor that "closes" during an alarm condition (normally open or normally closed). Use the auxiliary contacts to connect to building automation systems (BAS) and phone dialers.

Use normally open float switches for high level alarm indication and normally closed float switches for low level alarm indication.

During an alarm condition, the red alarm LEDs will illuminate, flashing and the buzzer will announce. The alarm condition will stay on until the alarm float switch is deactivated. If the test/silence pushbutton is pressed during an alarm condition, it will silence the buzzer and the red alarm LEDs will stop flashing and remain solid. The silence condition will reset when the alarm float switch deactivates. If the alarm is in silence mode for longer than 24 hours, the alarm will reactivate.

STANDARD FEATURES



- 1) Power On Indicator** - Green LED illuminates the top cover of the enclosure to indicate the power is on.
- (2) Alarm Beacon** - During an alarm condition, the red alarm LEDs will illuminate, flashing inside the top cover of the enclosure.
- (3) Alarm Buzzer** - The alarm buzzer will announce in addition to the visual indication provided by the red LEDs during an alarm condition.
- (4) Test/Silence Pushbutton** - This button may be used to either test or silence the alarm. Testing will activate the alarm beacon and buzzer. During an alarm condition, it will silence the buzzer and the red LEDs will stop flashing and remain solid.
- (5) Sensor Input** - Terminals for sensor connection.
- (6) Auxiliary Contacts** - Interface with an external device. The contacts are rated for 24VDC at 0.5A maximum.
- (7) Power Mains Input** - Terminals for L1 and L2/N to install power, available in 120VAC or 230VAC.
- (8) Power Indicator Turn Off** - Flip switch down to turn off green power LED. Reverse process to turn power indicator back on, flip switch up.
- (9) QR Code** - Scan code which directs you to alderonind.com where additional information can be found for the VersAlarm™ I/O.

SPECIFICATIONS

VersAlarm™ I/O 1-Zone Tank Alarm

Primary Power

120VAC or 230VAC, 50/60 Hz
(voltage depends on model/part number)

Power

2.64 Watts maximum
(alarm condition)

Certifications

FCC Part 15 (US and Canada)
CSA (US and Canada)

Auxiliary Contacts

24VDC at 0.5 Amps maximum

Enclosure

Type 3R, Indoor and Outdoor

Three-Year Limited Warranty

Altra™ Control Switch

Electrical

5 Amp and 5 Amp or 1mA, 120/240VAC

Operating Temperature

0 - 140° F

Cable Type (bare leads)

SJOOW (UL/CSA), 18 gauge, 2-conductor, flexible, and water/oil resistant

Float Housing

Polypropylene

Switch Configuration

Single Pole, Single Throw
(normally open or normally closed)

Switching Differential

20° total (narrow angle)

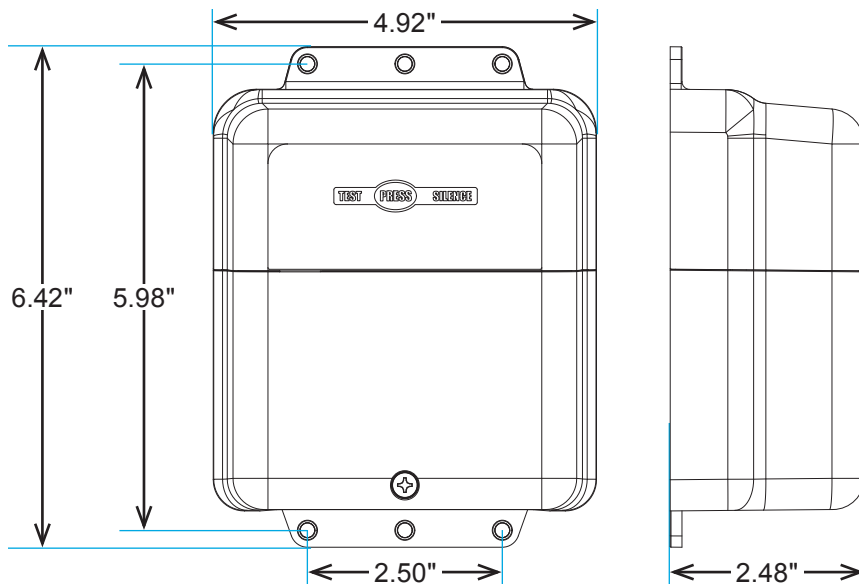
Certifications

CSA (US and Canada)

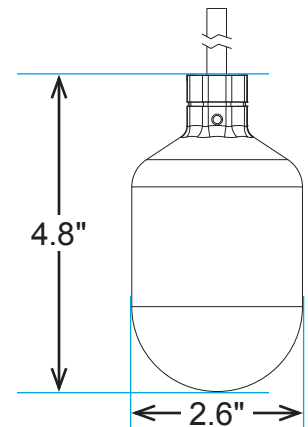
Three-Year Limited Warranty

MECHANICAL DRAWING

VersAlarm™ I/O Tank Alarm



Altra™ Control Switch



ORDERING INFORMATION

For a complete list of standard products with pricing, refer to the current year price sheet or visit alderonind.com for more information.

PART NUMBER	DESCRIPTION (Alarm Panel includes: Auto Reset and Auxiliary Contacts)
2000001	VersAlarm™ I/O - Tank Alarm, 120VAC, High Level, 15' Float Switch, RubberLox™ Pipe Clamp
2000002	VersAlarm™ I/O - Tank Alarm, 120VAC, High Level, 20' Float Switch, RubberLox™ Pipe Clamp
2000003	VersAlarm™ I/O - Tank Alarm, 120VAC, Low Level, 15' Float Switch, RubberLox™ Pipe Clamp
2000004	VersAlarm™ I/O - Tank Alarm, 120VAC, Low Level, 20' Float Switch, RubberLox™ Pipe Clamp
2000062	VersAlarm™ I/O - Tank Alarm, 230VAC, High Level, 15' Float Switch, RubberLox™ Pipe Clamp
2000063	VersAlarm™ I/O - Tank Alarm, 230VAC, High Level, 20' Float Switch, RubberLox™ Pipe Clamp
2000064	VersAlarm™ I/O - Tank Alarm, 230VAC, Low Level, 15' Float Switch, RubberLox™ Pipe Clamp
2000065	VersAlarm™ I/O - Tank Alarm, 230VAC, Low Level, 20' Float Switch, RubberLox™ Pipe Clamp