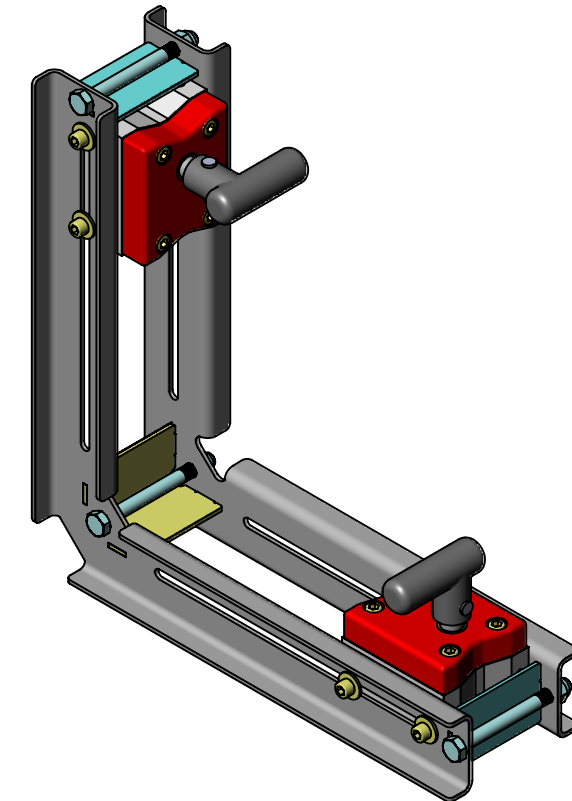
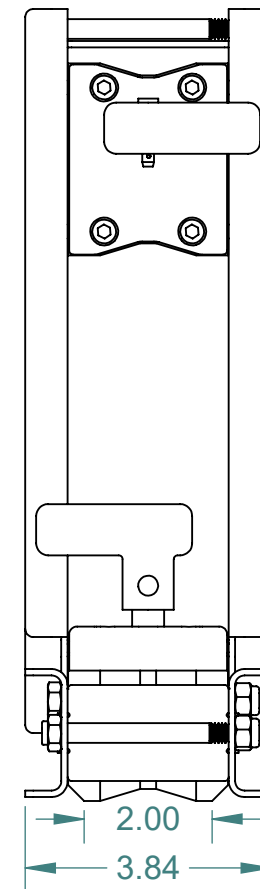


SCALE:1:3



APPROXIMATE WEIGHT: 14 LBS

ALL DIMENSIONS ARE IN INCHES EXCEPT AS NOTED. B SIZE - SHEET 1 OF 1

This drawing and all of the elements thereof, including the design and principles of construction disclosed, is the sole and exclusive property of Industrial Magnetics, Inc. and is being submitted by Industrial Magnetics, Inc. for the limited purpose of assisting the designated recipient to evaluate the services of Industrial Magnetics, Inc. This drawing may not be used for any other purpose, nor may it be copied, reproduced, loaned, transferred, or communicated to any other person, either verbally or in writing, without the written consent of Industrial Magnetics, Inc.

INDUSTRIAL MAGNETICS, INC.
 01385 M-75 SOUTH
 BOYNE CITY, MI 49712-9689
 WWW.MAGNETICS.COM • (231) 582-3100

WALKER MAGNETICS

TOLERANCES EXCEPT AS NOTED DECIMAL .00"=±.030" ANGULAR ±1° .000"=±.015"	RELEASED DATE 3/14/2017	R & D	DESCRIPTION ON/OFF MAG 90 WELD SQ 450 LB
	DRAWN BY D.DEWEY	SCALE FULL	
	RELEASED BY D.DEWEY	DATE 4/13/2015	PART NO. WSF0450R
			DRAWING NO. 23546