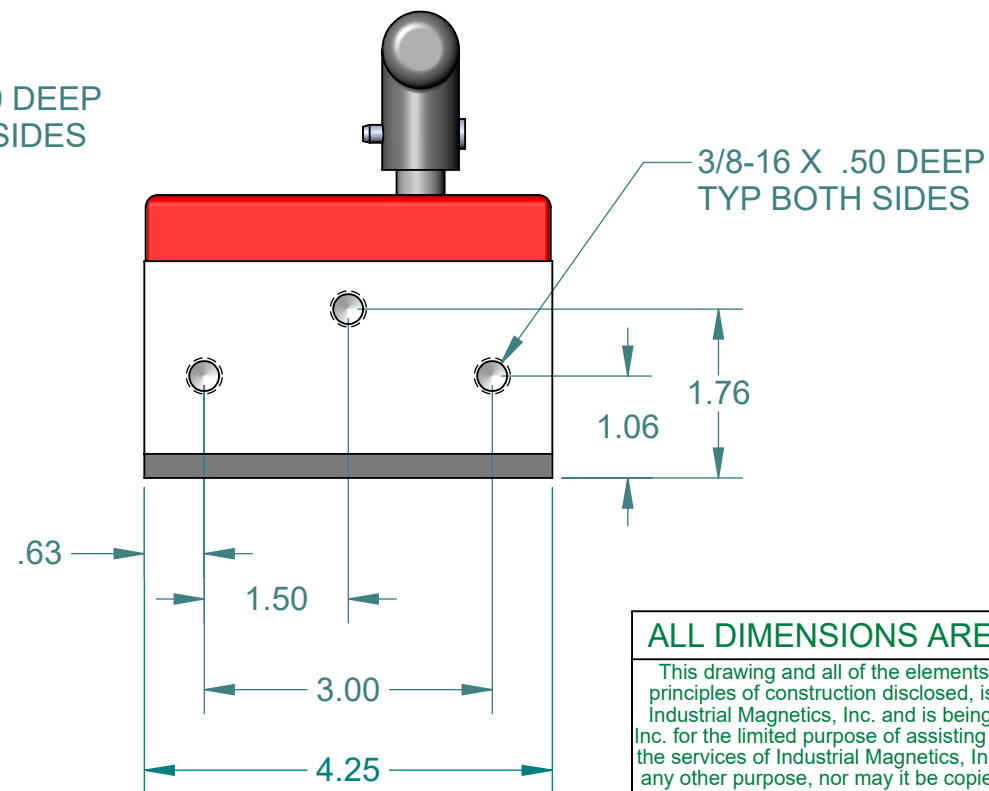


SCALE:1:2



APPROXIMATE WEIGHT: 11 LBS

B SIZE - SHEET 1 OF 1

ALL DIMENSIONS ARE IN INCHES EXCEPT AS NOTED.

This drawing and all of the elements thereof, including the design and principles of construction disclosed, is the sole and exclusive property of Industrial Magnetics, Inc. and is being submitted by Industrial Magnetics, Inc. for the limited purpose of assisting the designated recipient to evaluate the services of Industrial Magnetics, Inc. This drawing may not be used for any other purpose, nor may it be copied, reproduced, loaned, transferred, or communicated to any other person, either verbally or in writing, without the written consent of Industrial Magnetics, Inc.

INDUSTRIAL MAGNETICS, INC.
 01385 M-75 SOUTH
 BOYNE CITY, MI 49712-9689
 WWW.MAGNETICS.COM • (231) 582-3100

WALKER MAGNETICS

TOLERANCES EXCEPT AS NOTED DECIMAL .00"=±.030" ANGULAR ±1° .000"=±.015"	RELEASED DATE 8/20/2018	R & D
	DRAWN BY J.HABEL	SCALE FULL
	RELEASED BY E.PASCOE	DATE 04/13/2016

DESCRIPTION ON / OFF MAGSQUARE 1000 LB. CUSTOMER DRAWING
PART NO. WS1000R
DRAWING NO. 23469