

TECHNICAL DATA SHEET No. 2

Reece Safety Products Ltd

Unit B9, Lowfields Close, Lowfields Business Park, Elland, West Yorkshire HX5 9DX
 Tel: 01422 310456 Fax: 01422 311070 Email sales@reecesafety.co.uk www.reecesafety.co.uk



Product Information and Assembly Instructions - Gate Valve Lockouts VS02/04/06/09/13



DESCRIPTION

| | |
|---------------------|---|
| Design | Two flattened half moons that cover the valve wheel |
| Features | Fully dielectric, good low-temperature resistance |
| Material | Intermediate-Impact Polypropylene Copolymer |
| Flash Point | 330 deg. C |
| Dielectric Constant | 2.3 to 2.4 |
| Process | Injection molding |
| Colour | Available in Red, Yellow, Blue and Green |
| UV Protection | Provided by the colour added to the base resin |

VALVE HANDLE SIZES

Models
 VS02
 VS04
 VS06
 VS09
 VS13

| Models | Handle sizes (in) | Handle sizes (mm) |
|--------|-------------------|-------------------|
| VS02 | 1 to 2 ½ | 25 to 70 |
| VS04 | 2 ½ to 5 | 70 to 130 |
| VS06 | 5 to 6 ½ | 130 to 170 |
| VS09 | 6 ½ to 10 | 170 to 257 |
| VS13 | 10 to 14 | 257 to 355 |

CHEMICAL RESISTANCE

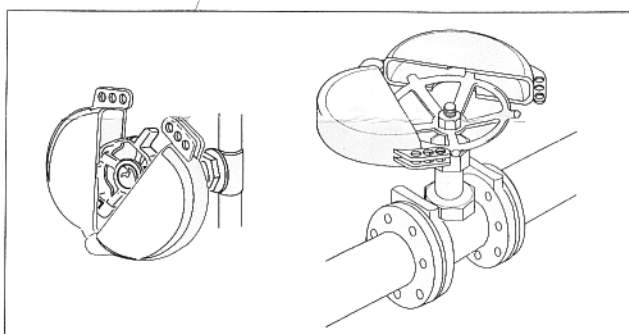
Polypropylene like most of the polyolefins, is highly resistant to solvents, chemicals and most strong mineral acids and bases but it is subject to attack by oxidizing agents such as chlorosulfonic acids, oleum, sulfuric acid, hydrogen peroxide (at 210 F), sulfuric acid (at 140 F), fuming nitric acid, liquid bromine, etc. With a few exceptions, however, inorganic chemicals produce little or no effect on our products over a period of 6 months at temperatures up to 250 F. When the product is removed from an organic chemicals environment such as benzene, carbon tetrachloride, petroleum, ethanol, acetone, etc. evaporation will take place and changes resulting from the absorption will be reversed if evaporation is complete.

USEFUL SERVICE LIFE

The useful service life expectancy is 4 years and is limited by the nature of the environment.

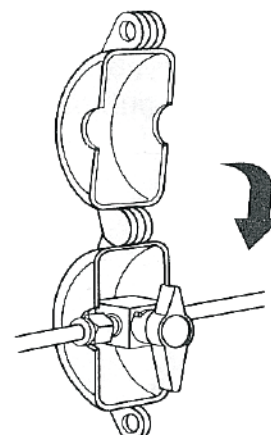
ASSEMBLY INSTRUCTIONS VS02 VS04 VS06 VS09 VS13

1 Cover valve handle with Gate Valve Lockout of corresponding size



SPECIAL APPLICATION FOR SMALL VALVES

VS02 Modification. Drill a hole aligned with the first and close the lockout to completely cover the valve.



2 Put on your padlock

