



INSTALLATION & OPERATION MANUAL

VCD & VCW SERIES CHIP WARMERS

MODELS:

VCD22* ML-138037

VCD44 ML-138069

VCW26

VCW46

*Formerly VCD5



IMPORTANT FOR YOUR SAFETY

THIS MANUAL HAS BEEN PREPARED FOR PERSONNEL QUALIFIED TO INSTALL ELECTRICAL EQUIPMENT, WHO SHOULD PERFORM THE INITIAL FIELD START-UP AND ADJUSTMENTS OF THE EQUIPMENT COVERED BY THIS MANUAL.

FOR YOUR SAFETY

DO NOT STORE OR USE GASOLINE OR OTHER FLAMMABLE VAPORS OR LIQUIDS IN THE VICINITY OF THIS OR ANY OTHER APPLIANCE.

WARNING

Improper installation, adjustment, alteration, service, or maintenance can cause property damage, injury, or death.

Read the installation, operating and maintenance instructions thoroughly before installing or servicing equipment.

**IN THE EVENT OF A POWER FAILURE,
DO NOT ATTEMPT TO OPERATE THIS DEVICE.**

TABLE OF CONTENTS

IMPORTANT FOR YOUR SAFETY	1
GENERAL	3
INTRODUCTION	3
INSTALLATION ALL MODELS.....	3
UNPACKING	3
LEGS INSTALLATION	3
LOCATION	3
INSTALLATION SPECIFIC TO MODELS VCD22 & VCD44	4
ELECTRICAL REQUIREMENTS	5
ELECTRICAL CODES & STANDARDS	5
ELECTRICAL CONNECTIONS	5
VCD22 & VCD44	
OPERATION INSTRUCTIONS.....	6
CLEANING INSTRUCTIONS	6
VCW26 & VCW46	
OPERATION INSTRUCTIONS	7
CLEANING INSTRUCTIONS	8
STAINLESS STEEL CARE	9
LOCKOUT / TAGOUT PROCEDURE	10
TROUBLESHOOTING	11
SERVICE & PARTS INFORMATION	11

GENERAL

INTRODUCTION

Vulcan Chip Warmers are produced with quality workmanship and material. Proper installation, usage, and maintenance of your warmer will result in many years of satisfactory performance.

It is suggested that you thoroughly read this entire manual and carefully follow all of the instructions provided.

As with any piece of food service equipment, this Chip Warmer requires a minimum of care and maintenance. Recommended procedures are contained in this manual and should become a regular part of the operation of the unit.

INSTALLATION (ALL MODELS)

Before installing, verify that the electrical service agrees with the specifications on the rating plate located on the lower back corner of the warmer. If the supply and equipment requirements do not agree, do not proceed with unpacking and installation. Contact your Vulcan Customer Service Department immediately. (Page 11)

UNPACKING:

The Warmer was inspected before leaving the factory. The transportation company assumes full responsibility for safe delivery upon acceptance of the shipment. Immediately after unpacking, check for possible shipping damage to the warmer.

If the warmer is found to be damaged, save the packaging material and contact the carrier within 15 days of delivery.

Carefully unpack warmer and place in a work accessible area.

1. Remove banding holding the carton to the pallet.
2. Carefully remove warmer from carton and place on floor or table.
3. Remove any and all packaging materials inside unit.
4. **Peel off all vinyl protection film.**
5. **Thoroughly clean the warmer as described in the cleaning instructions in this manual.**

LEGS INSTALLATION:

To install legs, carefully tip Chip Warmer onto its side. Screw legs into pre-drilled holes. Return warmer to the upright position.

LOCATION:

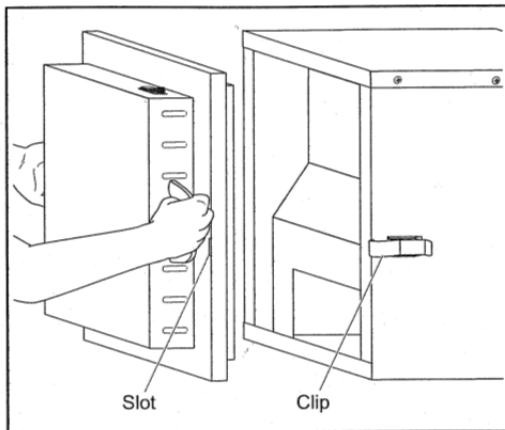
For efficient warmer operation, choose a location that will provide easy loading and unloading without interfering with the final assembly of food orders.

The installation location must allow adequate clearances for servicing and proper operation.

INSTALLATION SPECIFIC TO MODELS VCD22 & VCD44

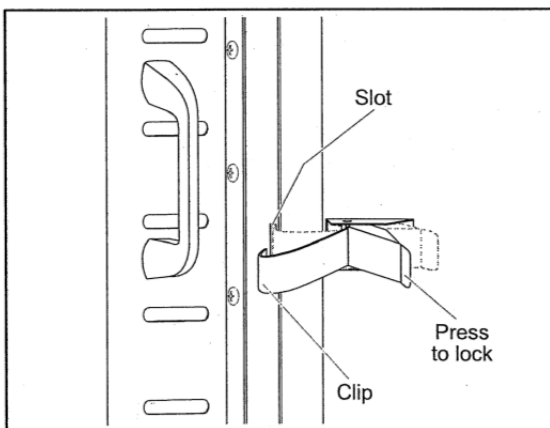
ACCESS PANEL POSITIONING:

1. Ensure that top Baffle notches are over carriage bolts.
2. Insert Access Panel onto the back of the Chip Warmer. (*Fig. 1*)



(*Fig. 1*)

3. On both sides of Access Panel, place clips into slots, then lock. (*Fig. 2*)

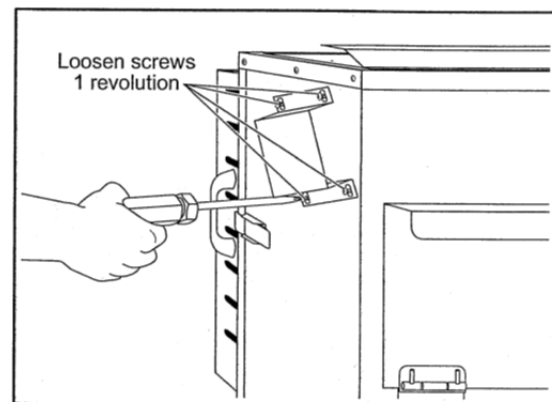


(*Fig. 2*)

SCOOP HOLDER INSTALLATION:

The Chip Scoop Holder will secure up to a 6" wide scoop.

1. On either the left or right side of the Chip Warmer, loosen four side screws one revolution.
2. Position the Chip Scoop Holder. (*Fig. 3*)



(*Fig. 3*)

3. Tighten four side screws.

ELECTRICAL REQUIREMENTS

ELECTRICAL CODES & STANDARDS:

The warmer must be installed in accordance with:

In the United States of America:

1. State and Local Codes.
2. National Electrical Code, ANSI/NFPA-70 (latest edition.) Copies may be obtained from: The National Fire Protection Association, Batterymarch Park, Quincy, MA 02269.

In Canada:

1. Local Codes.
2. Canadian Electrical Code, CSA C22.1 (latest edition.) Copies may be obtained from: The Canadian Standard Association, 178 Rexdale Blvd., Etobicoke, Ontario, Canada M9W 1R3.

ELECTRICAL CONNECTIONS:

The warmer is factory wired for 110/120 volt single phase operation. All 110/120 volt warmers are equipped with a 8 foot cord and NEMA 5-15 plug as standard equipment. Refer to wiring diagram in the back of this manual.

The cord and plug supplied is a suitable durable cord with a molded three-prong plug, and is provided with a proper strain relief.


⚠ WARNING


All warmers are equipped with a three-prong plug. It is imperative that this plug must be connected into a properly grounded three-prong receptacle. If the receptacle is not the proper grounding type, contact an electrician. **Do not remove the grounding prong from this plug.**

Verify that the power source matches the Serial Data Plate located on the lower back corner of the warmer and the plug configuration before the connection is made. (Fig. 4)

SERIAL DATA PLATE

MODEL MODELE	VCW46	DEVICE DISPOSITIF	VCW46-1M02N
ML		MD	GAP
SERIAL SERIE			00000000
VOLTS	120 V	WATTS	1500W
AMPS	12.5A	PHASE	1
		CYCLE	50/60

 LISTED LISTED 1209
 LISTED LISTED 1209
 COMMERCIAL COOKING APPLIANCE
 COMMERCIAL DES APPAREILS DE CUISSON

 NSF/ANSI 4
 1209 FOR USE ON AN INDIVIDUAL BRANCH CIRCUIT ONLY
 POUR UTILISATION SUR CIRCUIT INDIVIDUEL
 SEULEMENT DIRECTION

VULCAN HART CO., BALTIMORE, MD
 MADE IN THE USA FROM DOMESTIC & FOREIGN PARTS
 FABRIQUE AUX ETATS UNIS AVEC DES PIECES CANADIENNES ET FOREGIN

(Fig. 4.)

A separate disconnect switch or circuit breaker is recommended to be placed at a convenient location between the Chip Warmer and the electric power source.

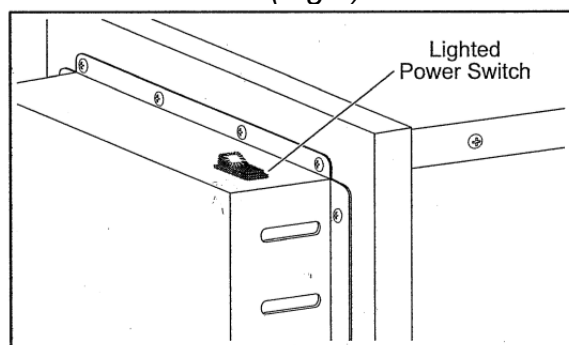
To avoid damage to the power supply cord, cord retainer bushing, or electrical outlets, always check to be certain that the power cord is unplugged from the power source before moving the unit.

OPERATION

OPERATION INSTRUCTIONS (Models VCD22 & VCD44)

⚠ WARNING The Warmer and its parts are hot. Be very careful when operating, cleaning, or servicing the warmer.

1. Switch Power Switch to ON position. Verify that switch illuminates. (Fig.5)



(Fig. 5)

2. The internal thermostat is factory preset to 180° F. The

blower fan circulates heated air through the perforated removable chip tray located at the bottom of the interior of the cabinet (under the chips.)

3. Open Top Door.
4. Pour chips into Baffle.

Do not overfill. The Top Door must be able to fully close.

VCD22 holds approx. 22 gallons and VCD44 holds approx. 44 gallons of chips.

5. Close Top Door.
6. After approx. 30 to 40 minutes, open Front Door to access warmed chips.
7. Use the Chip Scoop to remove desired amount of chips.
8. Close Front Door.

CLEANING INSTRUCTIONS (Models VCD22 & VCD44)

⚠ WARNING The Warmer and its parts are hot. Be very careful when operating, cleaning, or servicing the warmer.

⚠ WARNING Always unplug electrical power supply before cleaning.

The inside of the Chip Warmer must be cleaned each day.

At the end of the day, switch Power Switch to OFF position.

ALLOW UNIT TO COOL DOWN

1. Remove Access Panel by unlocking clips.
2. Place Access Panel away from Chip Warmer.
3. Remove Top Door.
4. Remove all internal Baffles through back opening.
5. Using a soft, clean cloth, clean Top Door and Baffles with a solution of mild detergent and

warm water. Rinse with a soft cloth and warm water. Wipe dry with a soft dry cloth.

Never spray the unit with a hose.

6. Using a soft, clean cloth, clean the inside of the unit with a solution of mild detergent and warm water. Rinse with a soft cloth and warm water. Wipe dry with a soft dry cloth.
7. Replace Top Door and all internal Baffles.
8. Reattach Access Panel.

OPERATION INSTRUCTIONS (Models VCW26 & VCW46)

The Chip Warmer should be thoroughly cleaned before initial use.

⚠ WARNING The Warmer and its parts are hot. Be very careful when operating, cleaning, or servicing the warmer.

1. Verify that the Chip Warmer is connected to the correct power source.
2. The Lighted Power Switch is located on right back side of the Chip Warmer. Switch power switch to ON position. Verify that the switch illuminates. (Fig. 6)

POWER SWITCH



(Fig.6)

The power switch is what turns the unit on and off.

3. The Thermostat knob is located in the back of the unit near the power switch. (Fig.7)

THERMOSTAT KNOB



(Fig.7)

Adjust the knob to the desired temperature setting. Once a desired temperature setting is determined, the knob can be left in this position until a temperature adjustment is needed.

4. Check the interior rear of warmer to ensure that it is heating. The blower fan circulates heated air through the perforated removable baffle located at the bottom of the interior of the cabinet (under the chips.) (Fig. 10)
5. Open Top Doors.
6. Pour chips into unit.

Do not overfill. The Top Doors must be able to fully close.

VCW26 holds approx. 26 gallons and VCW46 holds approx. 46 gallons of chips.

7. Close Top Doors.
8. After approx. 30 to 40 minutes, open Front Door to access warmed chips.
9. Close Front Door after access.

SHUTDOWN

⚠ WARNING The Warmer and its parts are hot. Be very careful when operating, cleaning, or servicing the warmer.

At the end of the day:

1. Switch Power Switch to OFF position.
2. Clean unit following instructions in this manual.

CLEANING INSTRUCTIONS (Models VCW26 & VCW46)

⚠ WARNING The Warmer and its parts are hot. Be very careful when operating, cleaning, or servicing the warmer.

⚠ WARNING Always *unplug electrical power supply* before cleaning.

INTERIOR:

The inside of the Chip Warmer must be cleaned each day.

1. Unplug electrical power supply.
2. Allow warmer to cool before cleaning.
3. Remove front panel by opening clips on each side of panel. (Fig.8)



CLIP (Fig. 8)

Slide Front Panel downward past the upper lip and lift away and remove from Chip Warmer. (Fig. 9)



FRONT PANEL / (Fig. 9)

4. Remove interior baffle at the bottom of the unit. A handle is located toward the back of the baffle. (Fig. 10)



INTERIOR BAFFLE / (Fig. 10)

5. Using a soft, clean cloth, clean inside of warmer with a solution of mild detergent and warm water. Rinse with warm water, and wipe dry.

Never spray the unit with a hose.

6. Replace baffle and front panel using a reverse of the removal instructions.

EXTERIOR:

Refer to "STAINLESS STEEL CARE."

HEAVY-DUTY CLEANING:

For heavy-duty cleaning, use warm water, a degreaser, and soft cloth. Never rub in a circular motion -- rub gently in the direction of the steel grain.

Always rinse thoroughly.

Never spray the unit with a hose.

STAINLESS STEEL CARE

CLEANING:

Stainless Steel contains 70 – 80% iron, which will rust if not properly maintained. Stainless Steel also contains 12 – 30% chromium, which forms an invisible passive, protective film that shields against corrosion.

If the protective film remains intact, the stainless steel will remain intact. However, if the film is damaged, the stainless steel can break down and rust.

PREVENTIVE CARE:

To prevent stainless steel break-down, follow these steps:

1. **Never use any metal tools, scrapers, files, wire brushes, or scouring pads** to clean the unit.
2. **Never use steel wool** – which will leave behind particles that will rust.
3. **Never use acid-based or chloride containing cleaning solutions** – which will break down the protective film.
4. **Never rub in a circular motion.** Always rub gently in the direction of the steel grain.
5. **Never leave any food products or salt on the surface.** Many foods are acidic. Salt contains chloride.

EXTERIOR CLEANING:

Special stainless steel polishing cleaners can preserve and restore the protective film on the exterior of the unit.

Preserve the life of stainless steel with a regular application of a high-quality stainless steel polishing cleaner, as a final step to daily cleaning.

If signs of breakdown appear, restore the stainless steel surface. First, thoroughly clean, rinse, and dry the surface. Then, on a daily basis, apply a high-quality stainless steel polish according to manufacturer's instructions.

HEAT TINT:

Darkened areas, called "heat tint," may appear on stainless steel exposed to excessive heat. Excessive heat causes the protective film to thicken. This is unsightly, but is not a sign of permanent damage.

To remove heat tint, follow the routine cleaning procedure. Stubborn heat tint will require heavy-duty cleaning. To reduce heat tint, limit the exposure of equipment to excessive heat.

LOCKOUT / TAGOUT PROCEDURE



⚠ WARNING Always perform the **LOCKOUT / TAGOUT PROCEDURE** of your facility before removing any sheet metal panels or attempting to service this equipment.

The Lockout / Tagout Procedure is used to protect personnel working on an electrical appliance. Before performing any type of maintenance or service on an electrically operated appliance, follow these steps:

1. In electrical box, place unit's circuit breaker into OFF position.
2. Place a lock or other device on electrical box cover to prevent someone from placing circuit breaker ON.
3. Place a tag on electrical box cover to indicate that unit has been disconnected for service and power should not be restored until tag is removed by maintenance personnel.
4. Disconnect unit power cord from electrical outlet.
5. Place a tag on cord to indicate that unit has been disconnected for service and power should not be restored until tag is removed by maintenance personnel

TROUBLESHOOTING

SYMPTOM	POSSIBLE CAUSE	REMEDY
Chip Warmer not operating	Chip Warmer not plugged into power source.	Plug chip warmer into correct power source as indicated on serial data plate.
	Lighted power switch not in ON position. <i>VCW26 & VCW46 Thermostat knob not turned to desired temperature.</i>	Press power switch to ON position. <i>Check Thermostat knob located in back of unit.</i>
	No power.	Contact Authorized Service Provider. Check GFCI switch on outlet.
GFCI or Ground Fault Circuit Indicator tripped.	Moisture problem.	Dry moisture problem.
	Damaged: element, wire, power cord, etc.	Contact Authorized Service Provider.
Chip Warmer is connected to power source, power is on, but not heating.	Damaged: element, wire, power cord, motor, etc.	Contact Authorized Service Provider.
Lighted power switch is illuminated, but circulating fan is not operating	Damaged fan, etc.	Contact Authorized Service Provider

SERVICE & PARTS INFORMATION

To obtain Service and Parts information concerning this model, contact the Vulcan Service Department at the address listed on the front cover of this manual or refer to our website: www.vulcanequipment.com for a complete listing of Authorized Service and Parts depots.

Customer Service	1-800-814-2028
Technical Service	1-800-814-2028
Service Parts	1-800-814-2028

When calling for service, have the model number and serial number available.

RENSEIGNEMENTS RELATIFS AUX SERVICES D'ENTRETIEN ET AUX PIÈCES DE RECHANGE

Pour obtenir des renseignements sur les services d'entretien ou des pièces de rechange pour ce modèle, contactez de service à la clientèle de Vulcan à l'adresse indiquée sur la couverture de ce manuel ou rendez-vous à notre site Web : www.vulcanequipment.com, pour obtenir la liste complète des centres agréés d'entretien et de distribution de pièces de rechange.

Service à la clientèle
1 800 814-2028

Service technique
1 800 814-2028

Service des pièces de rechange
1 800 814-2028

Lorsque vous appelez pour obtenir des services, ayez le numéro du modèle et le numéro de série à portée de la main.

DÉPANNAGE

SYMPTÔME	CAUSE POSSIBLE	SOLUTION
Le chauffe-croûtilles ne fonctionne pas	Le chauffe-croûtille n'est pas branché sur une source d'alimentation.	Branchez le chauffe-croûtilles sur la source d'alimentation appropriée en suivant les indications sur la plaque signalétique.
Le chauffe-croûtilles ne fonctionne pas	L'interrupteur d'alimentation à éclairage n'est pas réglé sur la position Marche (ON). Le bouton du thermostat VCW26 et VCW46 n'est pas réglé sur la température souhaitée.	Appuyez sur l'interrupteur d'alimentation pour le mettre sur la position Marche (ON). Vérifiez le réglage du bouton du thermostat situé à l'arrière de l'appareil. Contactez le prestataire agréé de services techniques.
Le chauffe-croûtilles ne fonctionne pas	Aucune alimentation.	Vérifiez l'état du disjoncteur de fuite à la terre auquel est connectée la prise murale. Contactez le prestataire agréé de services techniques.
Le disjoncteur de fuite à la terre s'est déclenché.	Problème lié à l'humidité. L'élément, les fils ou le cordon d'alimentation, etc., est endommagé.	Dry moisture problem. Contactez le prestataire agréé de services techniques.
Le chauffe-croûtilles est branché sur la source d'alimentation, l'appareil est mis sous tension, mais il n'y a aucune chaleur.	L'élément, les fils, le cordon d'alimentation ou le moteur, etc., est endommagé.	Contactez le prestataire agréé de services techniques.
L'interrupteur d'alimentation à retro-éclairage est allumé, mais le ventilateur de circulation ne fonctionne pas.	Le ventilateur, etc., est endommagé.	Contactez le prestataire agréé de services techniques.

PROCÉDURE DE VERROUILLAGE ET D'ÉTIQUETAGE

▲WARNING Avertissement : Effectuez la PROCÉDURE DE VERROUILLAGE ET D'ÉTIQUETAGE en vigueur dans vos installations avant de retirer les panneaux en métal en feuille ou avant d'essayer de réparer cet appareil.

La procédure de verrouillage et d'étiquetage est mise en œuvre pour protéger le personnel d'intervention sur des appareils électriques. Avant d'effectuer tout type d'entretien ou de réparation sur un appareil à fonctionnement électrique, suivez les étapes énumérées ci-dessous :

1. Dans le coffret électrique, réglez le disjoncteur de l'appareil sur la position Arrêt (OFF).
2. Fixez un verrou ou un autre dispositif sur le couvercle du coffret électrique afin d'empêcher les personnes de régler le disjoncteur sur la position Marche (ON).
3. Apposez une étiquette sur le couvercle du coffret électrique afin d'indiquer que l'appareil est débranché aux fins d'entretien ou de réparation. Le courant ne doit pas être restauré avant le retrait de l'étiquette par le personnel d'entretien.
4. Débranchez le cordon d'alimentation de la prise murale.
5. Apposez une étiquette sur le cordon d'alimentation afin d'indiquer que l'appareil est débranché aux fins d'entretien ou de réparation. Le courant ne doit pas être restauré avant le retrait de l'étiquette par le personnel d'entretien.



ENTRETIEN DE L'ACIER INOXYDABLE

NETTOYAGE :

L'acier inoxydable est composé de 70 à 80 % de fer, qui rouillera s'il n'est pas entretenu correctement. L'acier inoxydable contient également de 12 à 30 % de chrome, qui forme une pellicule de protection passive et invisible contre la corrosion.

Si la pellicule de protection demeure intacte, l'acier inoxydable le demeure aussi. Cependant, si la pellicule est endommagée, l'acier inoxydable se dégrade et commence à rouiller.

ENTRETIEN PRÉVENTIF :

Pour éviter la dégradation de l'acier inoxydable, suivez ces instructions :

1. N'utilisez jamais d'outils en métal, de racloirs, de lames, de brosses métalliques ou de tampons à récure pour nettoyer l'appareil.
2. N'utilisez jamais de laine d'acier qui laissera des particules résiduelles sujettes à la rouille.
3. N'utilisez jamais de solutions de nettoyage à base d'acide ou de chlorure qui détruiront la pellicule protectrice.
4. Ne frottez jamais dans un mouvement circulaire. Frottez toujours doucement dans le sens du grain de l'acier inoxydable.
5. Ne laissez jamais du sel ou des produits alimentaires sur les surfaces. De nombreux aliments sont acides. Le sel contient du chlorure.

NETTOYAGE DE L'EXTÉRIEUR :

Les nettoyeurs de lustrage spéciaux destinés à l'acier inoxydable préservent et restaurent la pellicule protectrice à l'extérieur de l'appareil.

Préservez la vie utile de l'acier inoxydable en y appliquant régulièrement un nettoyeur de lustrage de haute qualité pour l'acier inoxydable, lors de l'étape finale du nettoyage quotidien.

Si des signes de détérioration apparaissent, restaurez la surface de l'acier inoxydable. Commencez par nettoyer à fond, rincer et sécher la surface. Ensuite, appliquez tous les jours un produit de lustrage de haute qualité pour l'acier inoxydable en suivant les instructions du fabricant.

COLORATION DE RECUIT :

Des zones foncées, appelées « zones à coloration de recuit » peuvent apparaître sur l'acier inoxydable qui est exposé à la chaleur. La chaleur intense provoque l'épaississement de la pellicule de protection. Cela produit un effet peu esthétique sans pour autant être un signe de dommages permanents.

Pour éliminer la décoloration de recuit, suivez la procédure de nettoyage de routine. La décoloration de recuit tenace nécessite un nettoyage en profondeur. Pour réduire la décoloration de recuit, réduisez l'exposition de l'appareil à la chaleur intense.

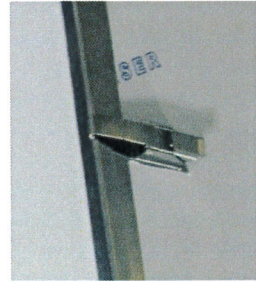
INSTRUCTIONS DE NETTOYAGE (Modèles VCW26 et VCW46)

▲AVERTISSEMENT : La température du chauffe-croustilles et de ses composants est très élevée. Faites très attention lorsque vous utilisez, nettoyez ou réparez le chauffe-croustilles.

▲AVERTISSEMENT : Veillez à toujours débrancher le cordon d'alimentation avant de nettoyer l'appareil.

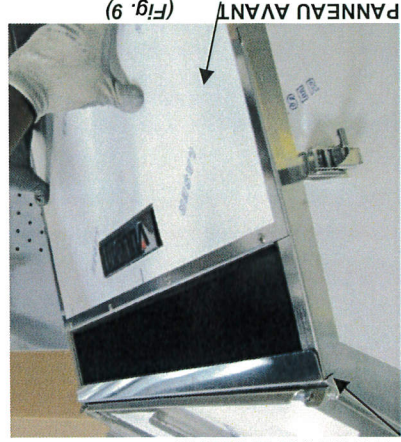
L'INTÉRIEUR DE L'APPAREIL :
L'intérieur du chauffe-croustilles doit être nettoyé tous les jours.

1. Débranchez le cordon d'alimentation.
2. Laissez le chauffe-croustilles refroidir avant de le nettoyer.
3. Retirez le panneau avant en ouvrant les pinces de part et d'autre du panneau. (Fig.8)



PINCE (Fig. 8)

Glissez le panneau avant vers le bas, en le passant par la levre supérieure, puis soulevez-le pour le retirer du chauffe-croustilles. (Fig. 9)



LEVRE SUPÉRIEURE

PANNEAU AVANT (Fig. 9)

4. Retirez l'écran interne au bas de l'appareil. Une poignée est fixée à l'arrière de l'écran. (Fig. 10)



ÉCRAN INTERNE (Fig. 10)

5. À l'aide d'un chiffon doux et propre, nettoyez l'intérieur de l'appareil en utilisant une solution composée de l'eau et d'un détergent doux. Rincez les surfaces intérieures à l'eau tiède, puis séchez-les en les essuyant.

N'utilisez jamais de boyau pour pulvériser de l'eau sur ou dans l'appareil.

6. Remplacez l'écran et le panneau avant dans l'ordre inverse indiqué dans les instructions de retrait.

L'EXTÉRIEUR DE L'APPAREIL :

Reportez-vous à la section « ENTRETIEN DE L'ACIER INOXYDABLE » :

NETTOYAGE EN PROFONDEUR :

Pour le nettoyage en profondeur, utilisez de l'eau chaude, un dégraissant et un chiffon doux. Ne frottez jamais les surfaces en décrivant un mouvement circulaire. Frottez-les doucement dans le sens du grain de l'acier. Rincez les surfaces abondamment. N'utilisez jamais de boyau pour pulvériser de l'eau sur ou dans l'appareil.

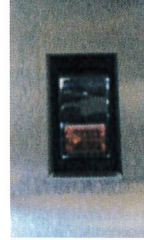
MODE D'EMPLOI (Modèles VCV26 & VCV46)

Il est de rigueur de nettoyer à fond le chauffe-croustilles avant sa mise en service.

⚠ AVERTISSEMENT : La température du chauffe-croustilles et de ses composants est très élevée. Faites très attention lorsque vous utilisez, nettoyez ou réparez le chauffe-croustilles.

1. Vérifiez que le chauffe-croustilles est branché sur la source d'alimentation appropriée.

2. L'interrupteur d'alimentation à rétro-éclairage est situé à l'arrière du chauffe-croustilles. Réglez l'interrupteur d'alimentation sur la position Marche (ON). Vérifiez que l'interrupteur s'allume. (Fig. 6)



INTERRUPTEUR D'ALIMENTATION

(Fig. 6)

L'interrupteur d'alimentation permet de mettre l'appareil sous tension et hors

tension.

3. Le bouton du thermostat est situé à l'arrière de l'appareil, près de l'interrupteur d'alimentation. (Fig. 7)



BOUTON DU THERMOSTAT

(Fig. 7)

Réglez le bouton sur la température souhaitée. Une fois la température souhaitée déterminée, le bouton peut être laissé sur ce réglage jusqu'à ce que la température doit être réglée de nouveau.

4. Vérifiez l'arrière à l'intérieur du chauffe-croustilles pour vous assurer que celui-ci produit de la chaleur. Le ventilateur de soufflage fait circuler l'air chauffé à travers l'écran perforé amovible. Il est situé à l'intérieur au fond du casier (sous les croustilles.) (Fig. 10)

5. Ouvrez les portes sur le dessus. Versez les croustilles dans l'appareil.

Ne versez pas une trop grande quantité de croustilles. Les portes sur le dessus doivent se refermer entièrement.

Le modèle VCV26 a une capacité d'environ 26 gallons (96,91 l) de croustilles; le modèle VCV46, d'environ 46 gallons (193,82 l).

7. Refermez les portes sur le dessus. Après environ 30 à 40 minutes, ouvrez la porte frontale pour accéder aux croustilles chauffées.

9. Refermez la porte frontale après avoir accédé aux croustilles.

MISE HORS TENSION

⚠ AVERTISSEMENT :

La température du chauffe-croustilles et de ses composants est très élevée. Faites très attention lorsque vous utilisez, nettoyez ou réparez le chauffe-croustilles.

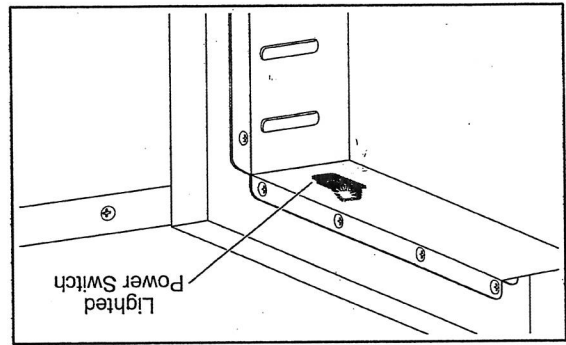
À la fin de la journée :

1. Réglez l'interrupteur d'alimentation sur la position Arrêt (OFF).
2. Nettoyez l'appareil en suivant les instructions dans ce manuel.

FONCTIONNEMENT

MODE D'EMPLOI (Modèles VCD22 et VCD44)

- ⚠ AVERTISSEMENT :** La température du chauffe-croustilles et de ses composants est très élevée. Faites très attention lorsque vous utilisez, nettoyez ou réparez le chauffe-croustilles.
- Régalez l'interrupteur d'alimentation sur la position Marche (ON). Vérifiez que l'interrupteur s'allume. (Fig.5)



- Le thermostat interne est pré-réglé à 82 °C (180 °F) par le fabricant. Le ventilateur de soufflage fait circuler l'air chauffé à travers le plateau perforé amovible à croustilles. Il est situé à l'intérieur au fond du cavier (sous les croustilles.)
- Ouvrez la porte sur le dessus. Versez les croustilles sur l'écran.
- Ne versez pas une trop grande quantité de croustilles. La porte sur le dessus doit se refermer entièrement.** Le modèle VCD22 a une capacité d'environ 22 gallons (96,91 l) de croustilles; le modèle VCD44, d'environ 44 gallons (193,82 l).
- Refermez la porte sur le dessus.
- Après environ 30 à 40 minutes, ouvrez la porte frontale pour accéder aux croustilles chauffées.
- À l'aide de la pelle à croustilles, retirez la quantité de croustilles désirée.
- Refermez la porte frontale.

- ⚠ AVERTISSEMENT :** La température du chauffe-croustilles et de ses composants est très élevée. Faites très attention lorsque vous utilisez, nettoyez ou réparez le chauffe-croustilles.
- ⚠ AVERTISSEMENT :** Veillez à toujours débrancher le cordon d'alimentation avant de nettoyer l'appareil.

INSTRUCTIONS DE NETTOYAGE (Modèles VCD22 et VCD44)

- L'intérieur du chauffe-croustilles doit être nettoyé tous les jours.
- avec un chiffon doux et de l'eau tiède. Sèches-les en les essuyant avec un chiffon sec et doux.
- N'utilisez jamais de boyau pour pulvériser de l'eau sur ou dans l'appareil.**
- À l'aide d'un chiffon doux et propre, nettoyez l'intérieur de l'appareil en utilisant une solution composée de l'eau et d'un détergent doux. Rincez à l'eau tiède et en utilisant un chiffon doux. Sèches-les en les essuyant avec un chiffon sec et doux.
 - Remplacez tous les écrans et la porte du dessus.
 - Refixez le panneau d'accès en place.

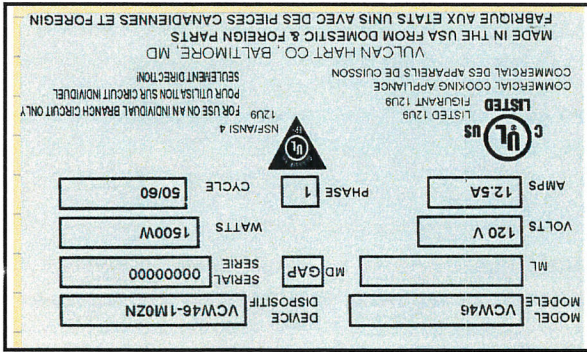
- Retirez le panneau d'accès en déverrouillant les pinces.
 - Placez le panneau d'accès dans un endroit éloigné du chauffe-croustilles.
 - Retirez la porte sur le dessus.
 - Retirez tous les écrans internes en les passant à travers l'ouverture à l'arrière.
 - À l'aide d'un chiffon doux et propre, nettoyez la porte du dessus et les écrans en utilisant une solution composée de l'eau et d'un détergent doux. Rincez les surfaces et d'un détergent doux.
- À la fin du jour, réglez l'interrupteur d'alimentation sur la position Arrêt (OFF).
LAISSEZ L'APPAREIL REFFROIDIR

ALIMENTATION

sur une prise murale triphasée correctement mise à la terre. Si la prise murale n'est pas correctement mise à la terre, contactez votre électricien. *N'enlevez pas la broche de mise à la terre de la fiche.*

Avant tout branchement, vérifiez que la source d'alimentation correspond à la configuration de la fiche et à la plaque signalétique apposée dans le coin inférieur à l'arrière du chauffe-croûtilles. (Fig. 4)

PLAQUE SIGNALÉTIQUE



(Fig. 4.)

Il est conseillé d'installer un interrupteur général ou un disjoncteur séparé dans un endroit pratique entre le chauffe-croûtilles et la source d'alimentation.

Pour éviter tout dommage au cordon électrique, à la bague du serre-cordon ou aux prises électriques, vérifiez toujours que le cordon est débranché de la source d'alimentation avant de déplacer l'appareil.

Le chauffe-croûtilles doit être installé en conformité avec ce qui suit :

CODES ET NORMES ÉLECTRIQUES :

Aux États-Unis d'Amérique :

1. Codes étatiques et locaux.
2. Code national de l'électricité, ANSI/NFPA-70 (dernière édition), National Fire Protection Association, Batterymarch Park, Quincy, MA 02269.

Au Canada :

1. Codes locaux.
2. Code canadien de l'électricité, CSA C22.1 (dernière édition), Exemplaires disponibles à : The Canadian Standard Association, 178 Rexdale Blvd., Etobicoke, Ontario, Canada M9W 1R3.

CONNEXIONS ÉLECTRIQUES :

Le câblage du chauffe-croûtilles est installé en usine et prend en charge une alimentation de 110/120 volts monophasée. Tous les chauffe-croûtilles de 110/120 volts sont équipés d'un cordon de 8 pieds (2,4 m) et d'une fiche NEMA 5-15 standard. Reportez-vous au schéma de câblage à la fin de ce manuel.

Le cordon fourni est durable et convient à l'appareil. Il est doté d'une fiche moulée à trois broches et d'un serre-cordon adéquat.

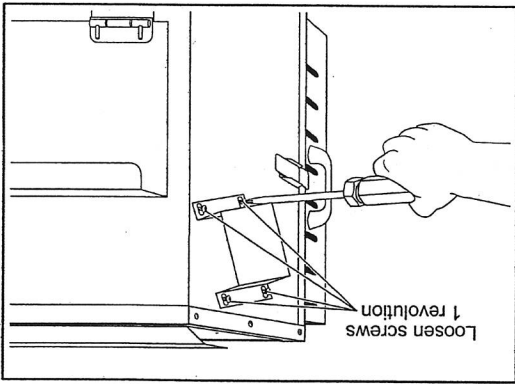
▲WARNING Avertissement : Tous

les chauffe-croûtilles sont équipés d'une fiche à trois broches. Il est impératif que la fiche soit branchée

INSTALLATION SPÉCIFIQUE AUX MODÈLES VCD22 ET VCD44

INSTALLATION DU PORTE-PELLE :

- Le porte-pelle à croustilles peut accueillir une pelle d'une largeur max. de 6 po.
1. Soit sur le côté gauche ou sur le côté droit du chauffe-croustilles, desserrez les quatre vis latérales en les tournant d'un tour.
 2. Positionnez le porte-pelle à croustilles comme illustré. (Fig. 3)



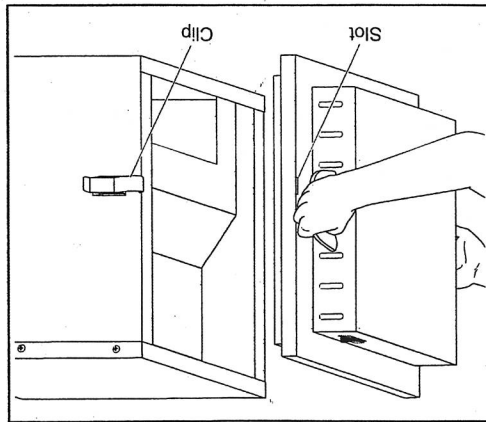
3. Resserrez les quatre vis latérales.

(Fig. 3)

POSITIONNEMENT DU PANNEAU D'ACCÈS

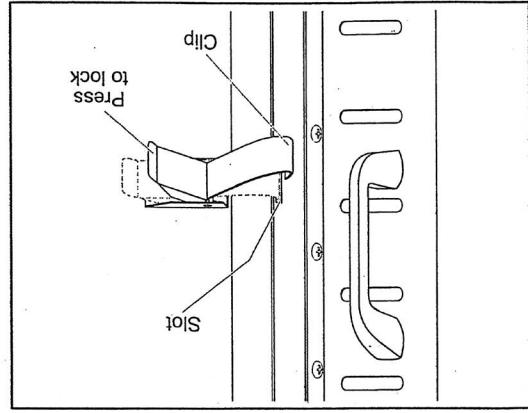
1. Assurez-vous que les entailles supérieures de l'écran sont situées sur les boulons mécaniques.
2. Insérez le panneau d'accès à l'arrière du chauffe-croustilles.

(Fig. 1)



(Fig. 1)

3. De part et d'autre du panneau d'accès, placez des pinces dans les fentes, puis verrouillez-les. (Fig. 2)



(Fig. 2)

GÉNÉRALITÉS

INTRODUCTION

minutieusement toutes les instructions.

Comme pour tout équipement de service d'alimentation, ce chauffe-croustilles exige un minimum de soins et d'entretien. Ce manuel contient des procédures recommandées qui doivent régulièrement être mises en œuvre lors de l'utilisation de cet appareil.

Les chauffe-croustilles Vulcan sont fabriqués avec une main-d'œuvre et des matériaux de qualité. L'installation, l'utilisation et l'entretien appropriés de votre chauffe-croustilles vous assureront des performances satisfaisantes pendant de nombreuses années.

Il est conseillé de lire attentivement ce manuel au complet et de suivre

INSTALLATION (INSTRUCTIONS POUR TOUTS LES MODÈLES)

2. Enlevez soigneusement le chauffe-croustilles et placez-le au sol ou sur une table.
3. Retirez tout matériel d'emballage à l'intérieur de l'appareil.
4. **Détachez la pellicule de protection en vinyle.**
5. **Nettoyez à fond le chauffe-croustilles en suivant les instructions de nettoyage dans ce manuel.**

INSTALLATION DES PIEDS :

Pour installer les pieds, inclinez soigneusement le chauffe-croustilles pour le coucher sur le côté. Vissez les pieds dans les trous prépercés. Remettez le chauffe-croustilles en position verticale.

EMPLACEMENT :

Pour garantir le fonctionnement efficace du chauffe-croustilles, choisissez un emplacement qui facilite le chargement et le déchargement sans interférer avec la préparation finale des commandes de repas.

Cet emplacement doit offrir un dégagement suffisant pour permettre le bon fonctionnement et l'entretien de l'appareil.

Avant de procéder à l'installation, vérifiez que l'alimentation correspond aux spécifications sur la plaque signalétique apposée au coin inférieur à l'arrière du chauffe-croustilles. Si l'alimentation du secteur et les exigences électriques de l'appareil sont différentes, ne déballiez et n'installez pas l'appareil. Contactez le service à la clientèle de Vulcan immédiatement. (Page 11)

DÉBALLAGE :

Le chauffe-croustilles a fait l'objet d'une inspection avant de quitter l'usine. À l'acceptation du contrat d'expédition, il incombe au transporteur de livrer le chauffe-croustilles en toute sécurité. Immédiatement après le déballage, vérifiez que le chauffe-croustilles n'a pas été endommagé durant le transport.

Si l'appareil est endommagé, conservez le matériel d'emballage et contactez le transporteur dans les 15 jours suivant la livraison.

Déballiez le chauffe-croustilles soigneusement et placez-le dans une zone facile d'accès.

1. Retirez le cerclage qui maintient le carton sur la palette.

CONSIGNES IMPORTANTES POUR VOTRE SÉCURITÉ 1

GÉNÉRALITÉS 3

INTRODUCTION 3

INSTALLATION (INSTRUCTIONS POUR TOUTES LES MODÈLES) 3

DÉBALLAGE 3

INSTALLATION DES PIEDS 3

EMPLACEMENT 3

INSTALLATION SPÉCIFIQUES AUX MODÈLES VCD22 ET VCD44 4

ALIMENTATION 5

CODES ET NORMES ÉLECTRIQUES 5

CONNEXIONS ÉLECTRIQUES 5

MODÈLES VCD22 ET VCD44 6

MODE D'EMPLOI 6

INSTRUCTIONS DE NETTOYAGE 6

MODÈLES VCW26 ET VCW46 7

MODE D'EMPLOI 7

INSTRUCTIONS DE NETTOYAGE 8

ENTRETIEN DE L'ACIER INOXYDABLE 9

PROCÉDURE DE VERROUILLAGE ET D'ÉTIQUETAGE 10

DÉPANNAGE 11

RENSEIGNEMENTS RELATIFS AUX SERVICES D'ENTRETIEN ET AUX PIÈCES DE
RECHANGE 11-12

TABLE DES MATIÈRES

CONSIGNES IMPORTANTES POUR VOTRE SÉCURITÉ

LE PRÉSENT MANUEL A ÉTÉ RÉDIGÉ À L'INTENTION DU PERSONNEL AYANT LES QUALIFICATIONS NÉCESSAIRES POUR INSTALLER DES ÉQUIPEMENTS ÉLECTRIQUES. LE PERSONNEL DEVRA ALORS EFFECTUER LE DÉMARRAGE INITIAL SUR LE CHANTIER ET LES RÉGLAGES DÉCRITS DANS CE MANUEL.

CONSIGNES POUR VOTRE SÉCURITÉ

VEILLEZ À NE PAS ENTREPOSER NI UTILISER DE L'ESSENCE OU TOUT AUTRE LIQUIDE DÉGAGEANT DES VAPEURS INFLAMMABLES À PROXIMITÉ DE CET APPAREIL OU DE TOUT AUTRE APPAREIL.



AVERTISSEMENT!

Une installation, des réglages, des modifications, des services d'entretien ou de réparation inappropriés risquent d'endommager la propriété et de provoquer des blessures corporelles, voire la mort.

Veillez lire attentivement les instructions relatives à l'installation, au fonctionnement et à l'entretien avant de procéder à l'installation et/ou à toute intervention sur cet appareil.

EN CAS DE PANNE D'ÉLECTRICITÉ, EN AUCUN CAS N'ESSAYEZ DE FAIRE FONCTIONNER CET APPAREIL.



MANUEL D'INSTALLATION ET D'UTILISATION

CHAUFFE-CROUSTILLES - SÉRIES VCD ET VCM

MODÈLES :

- VCD22* ML-138037
- VCD44 ML-138069
- VCW26
- VCW46
- *Anciennement VCD5

