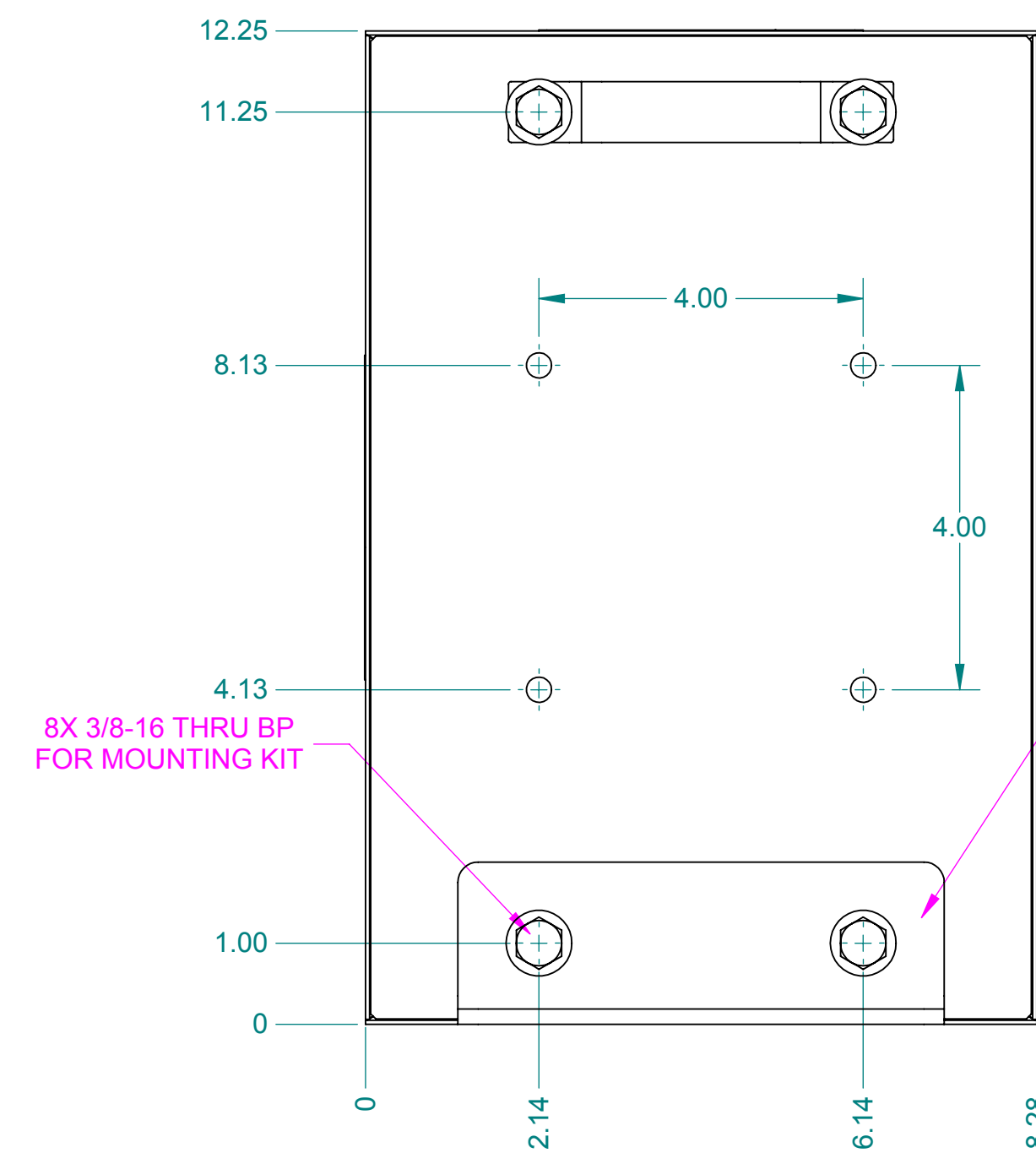
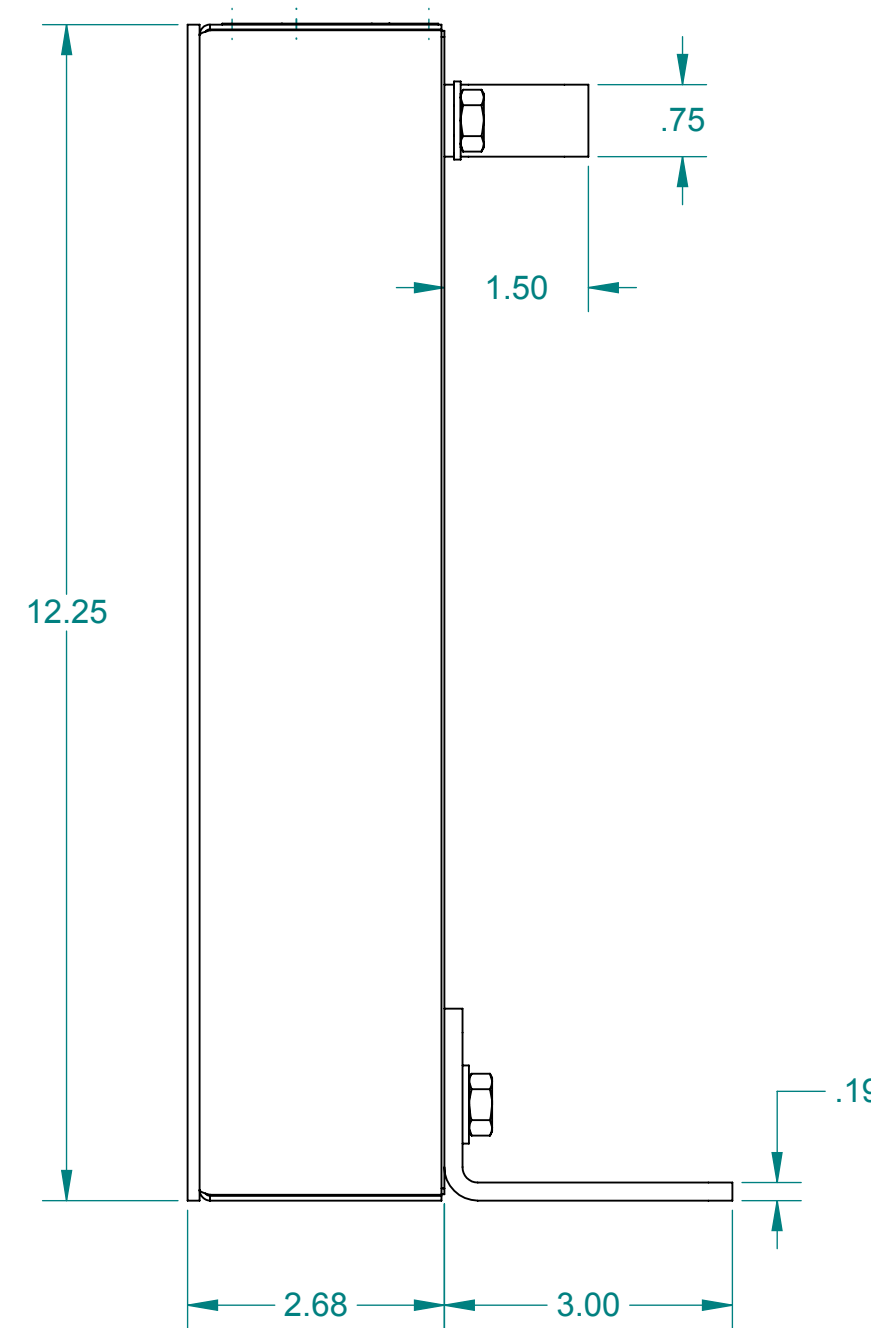
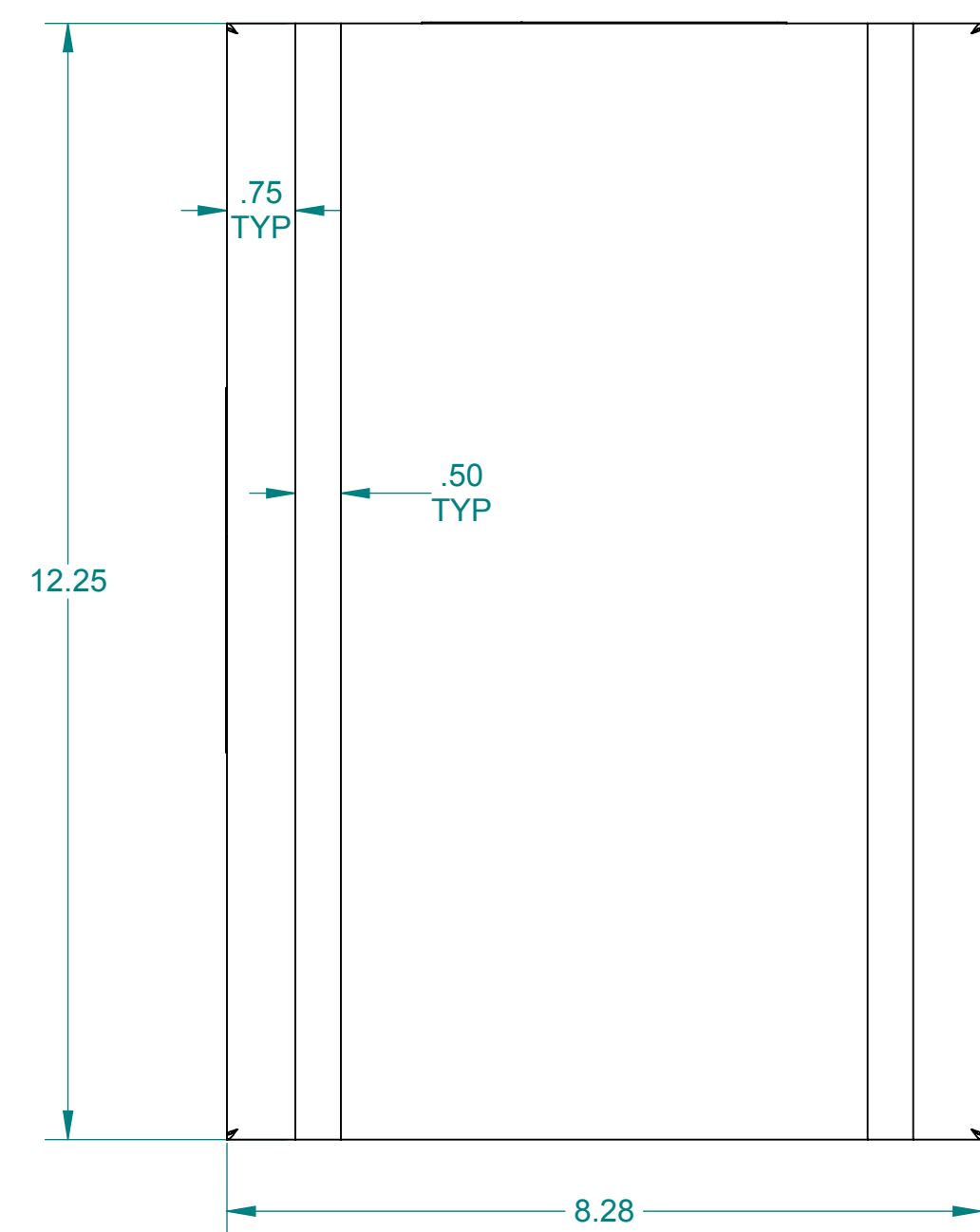


APPROXIMATE WEIGHT: 53 LBS



DETAIL OF ASSEMBLY SCALE: 1:2

CUSTOMER NOTE:  
FANNER SHOWN WITH HANDLE/ANGLE KIT ATTACHED FOR REF. ONLY.  
(IMI SHIPS HANDLE/ANGLE KIT LOOSE FOR CUSTOMER TO ATTACH IF NECESSARY)

CUSTOMARY GRADE

ALL DIMENSIONS ARE IN INCHES EXCEPT AS NOTED.		SHEET 1 OF 1	
<small>This drawing and all of the elements thereof, including the design and principles of construction disclosed, is the sole and exclusive property of Industrial Magnetics, Inc. and is being submitted by Industrial Magnetics, Inc. for the limited purpose of assisting the designated recipient to evaluate the services of Industrial Magnetics, Inc. This drawing may not be used for any other purpose, nor may it be copied, reproduced, loaned, transferred, or communicated to any other person, either verbally or in writing, without the written consent of Industrial Magnetics, Inc.</small>			
TOLERANCES EXCEPT AS NOTED DECIMAL .00" = ±.030" ANGULAR ±1° .000" = ±.015"		RELEASED DATE DRAWN BY S. ALLAN RELEASED BY	R & D SCALE FULL DATE 2-14-01 PART NO. TKF12 DRAWING NO. 21994
INDUSTRIAL MAGNETICS, INC. 01385 M-75 SOUTH BOYNE CITY, MICHIGAN 49712-9689 (231) 582-3100		12" THICK GAUGE SHEET FANNER	