



*Not For Use With Potable Drinking Water Applications

VALVES

GLOBE - BRASS
200 WOG/CWP

FEATURES & APPLICATIONS:

- 200 WOG/CWP
- Screwed Bonnet
- Female x Female NPT Threads
- Recommended for Bi-Directional service in commercial and industrial applications, including hot and cold water, HVAC, steam, compressed air, gas and other utility services.

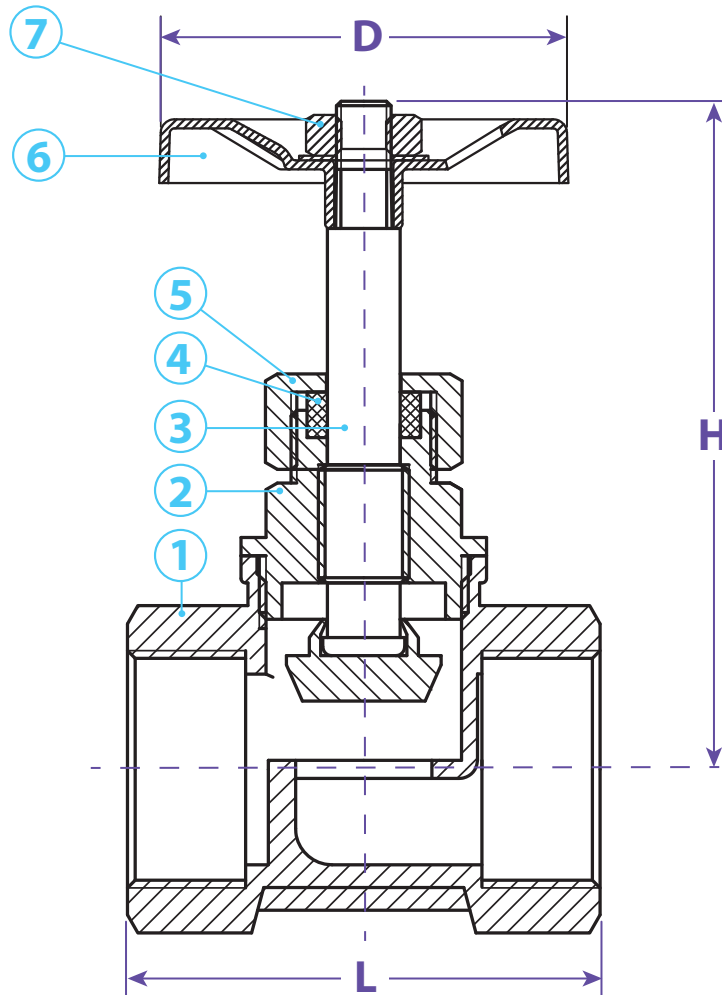
TECHNICAL DATA:

- **WOG** = Rating indicates the maximum non-shock pressure at ambient temperatures at which the valve may be used.
- **CWP** = Cold working pressure

WOG: Water, Oil & Gas: This was an older, generic pressure rating call-out which has been largely replaced by CWP. In this designation, "GAS" refers to any non-flammable, compressible fluid in a gaseous state. It does not imply a product's suitability or third-party approval for use with flammable gases. Similarly, in this designation, "Oil" does not imply a product's third-party approval for use with any petroleum products.

BRASS

Size	Part #
1/2"	GLV 050
3/4"	GLV 075
1"	GLV 100
1-1/4"	GLV 125
1-1/2"	GLV 150
2"	GLV 200
2-1/2"	GLV 250
3"	GLV 300
4"	GLV 400



Dimensions				
Size	L	H	D	Part #
1/2"	1.83	2.64	2.09	GLV 050
3/4"	2.05	2.76	2.09	GLV 075
1"	2.40	2.99	2.40	GLV 100
1-1/4"	2.87	3.58	3.11	GLV 125
1-1/2"	3.27	4.33	3.11	GLV 150
2"	3.93	4.33	3.43	GLV 200
2-1/2"	4.41	5.12	3.86	GLV 250
3"	5.09	5.51	4.25	GLV 300
4"	6.22	6.69	4.96	GLV 400

Nomenclature & Material		
No.	Description	Material
1	Body	Brass
2	Cap	Brass
3	Stem	Brass
4	Packing	PTFE
5	Packing Cap	Brass
6	Handle	Q 235 Iron
7	Hex Nut	Q 235 Iron

TITLE **GLOBE VALVE**

DISCLAIMER
All drawings and specifications are subject to change without notice. Drawings represent general dimensions of our products. Seal Fast Inc. cannot guarantee the dimensions will exactly match those in the drawing. The drawing is the property of Seal Fast Inc. Copying or reproduction of this drawing is expressly prohibited.

MATERIAL
BRASS

DRAWING NOT TO SCALE

PART # **GLV...**