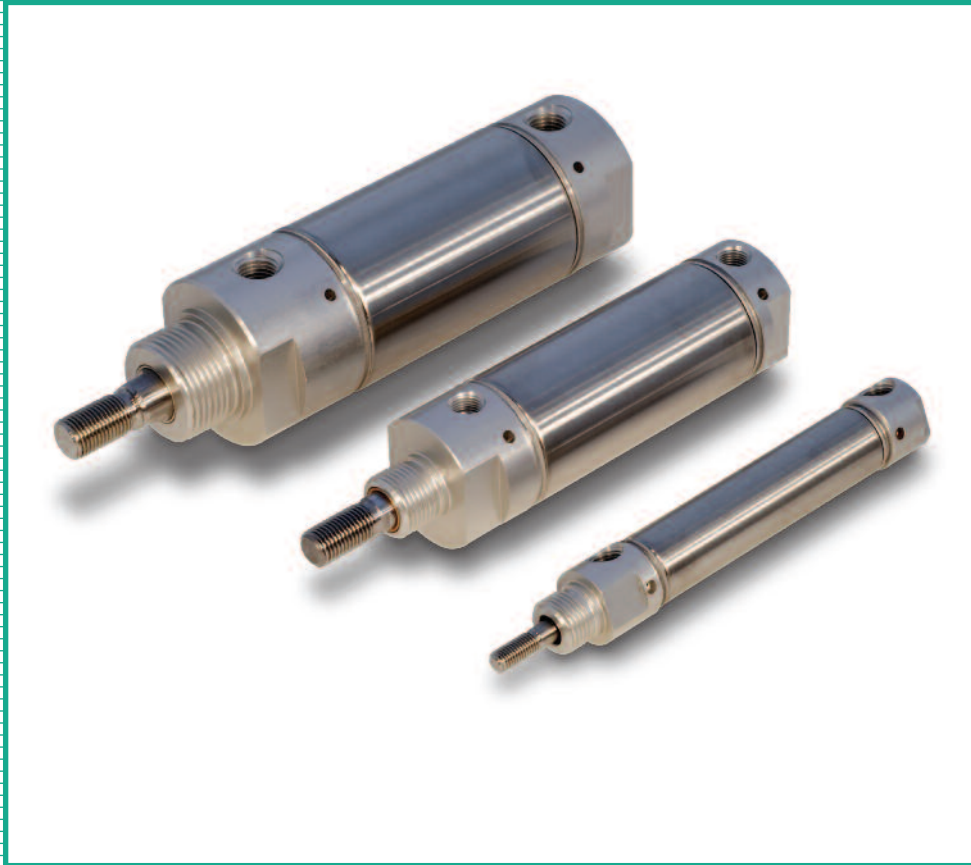




## Series *NCM-A*

**Stainless Steel Body Cylinder  
with Adjustable Air Cushion**



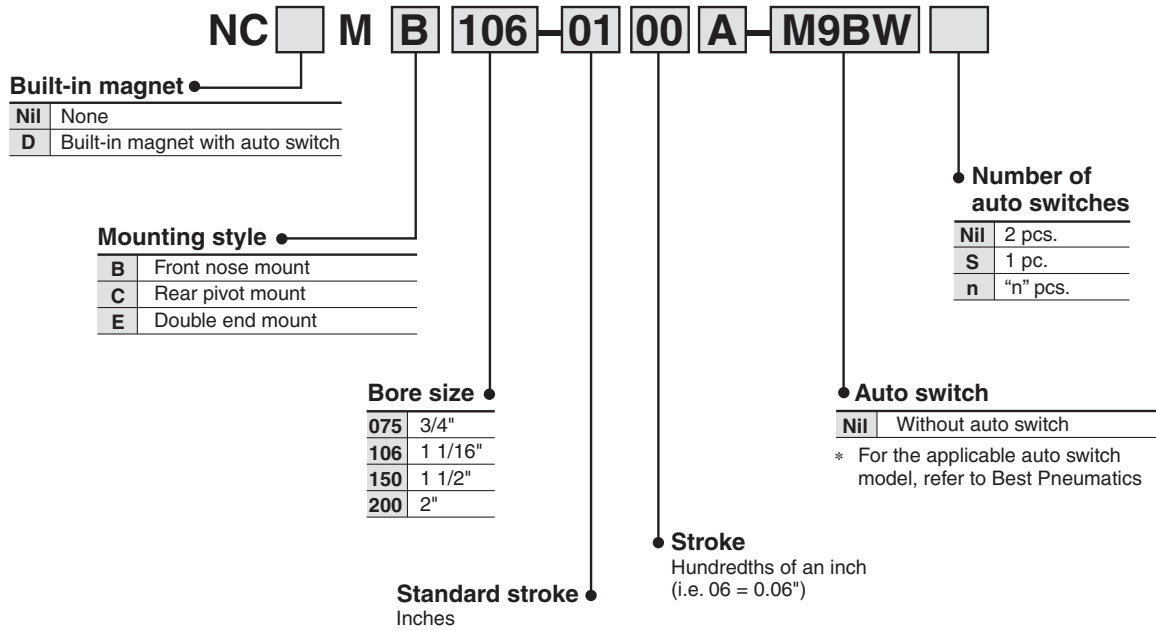
**Available in 4 bore sizes with adjustable air cushion**

**Same quality features as the standard NCM**

- Floating cushion seal for smooth movements
- Piston wear ring to extend seal life
- Cushion adjustment is recessed so it does not protrude
- Dimensionally interchangeable with the standard NCM

# Series NCM-A

## How to Order



## Specifications

### Specifications

Bore size (in)	075 (3/4")	106 (1 1/16")	150 (1 1/2")	200 (2")
Fluid	Air			
Maximum operating pressure	250 PSI/1.7 MPa			
Minimum operating pressure	8 PSI/0.06 MPa			
Ambient and fluid temperature	40 to 140°F / 5 to 60 °C			
Piston speed	2 to 30 in/sec (50 to 750 mm/sec)			
Lubrication	Not required (Pre-lubricated at Factory)			
Mounting	B, C, E			

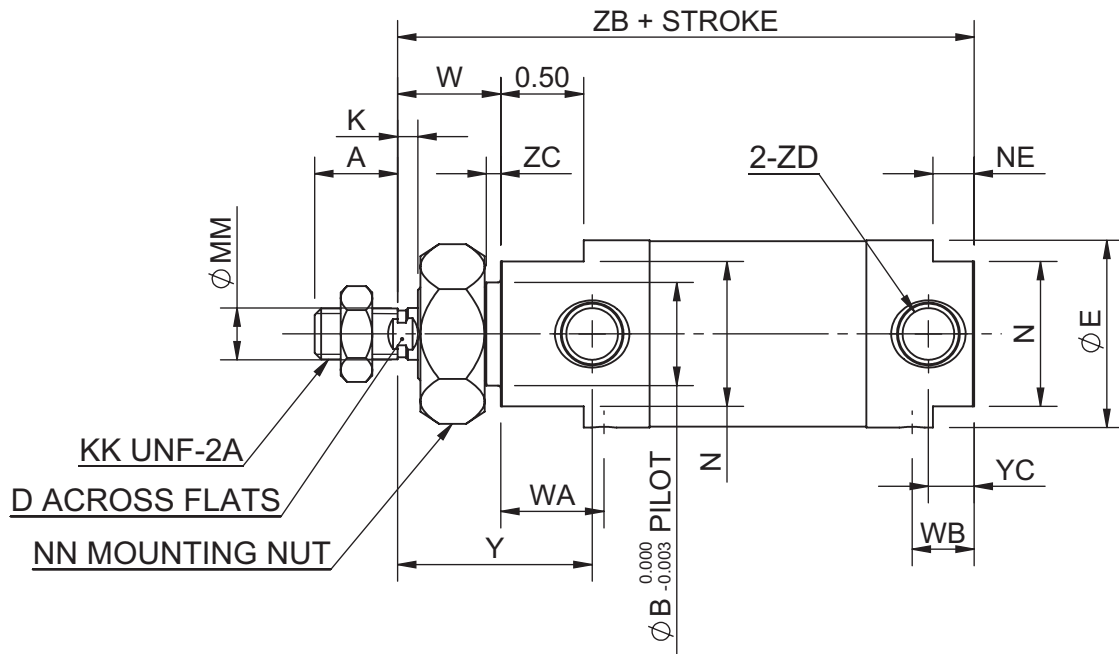
### Standard Stroke

(inch)

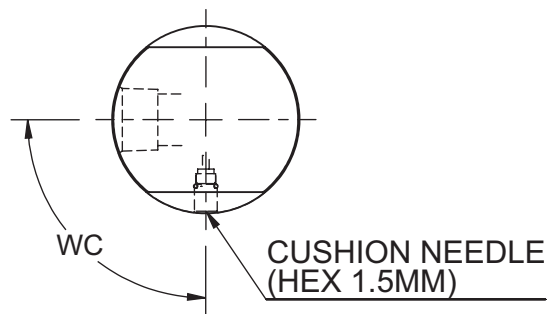
Mounting	Standard stroke	Max. stroke as standard	Long stroke
Front nose mount (B)	1/2, 1, 2, 3, 4, 5, 6	12	40
Rear pivot mount (C)	1/2, 1, 2, 3, 4, 5, 6	32	40
Double end mount (E)	1/2, 1, 2, 3, 4, 5, 6	32	

Note) Minimum stroke for mounting auto switches: 0.6 inch for 2 switches, 0.4 inch for one switch.

**Dimensions**



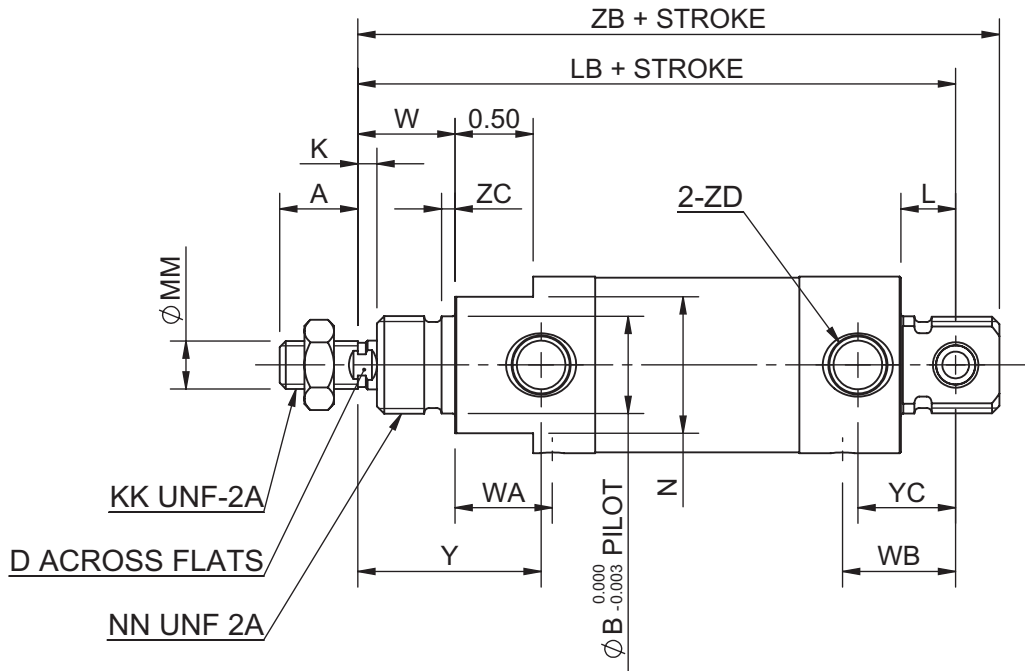
Bore	MM	KK	A	B	D	E	K	N
075 (3/4")	0.250	1/4-28	0.50	0.624	-	0.86	-	0.75
106 (1 1/16")	0.312	5/16-24	0.50	0.624	0.25	1.12	0.12	0.88
150 (1 1/2")	0.437	7/16-20	0.75	0.749	0.38	1.56	0.25	1.25
200 (2")	0.625	1/2-20	0.88	1.374	0.50	2.06	0.38	1.75



NE	NN	W	WA	WB	WC	Y	YC	ZB	ZC	ZD
0.12	5/18-18	0.50	0.60	0.51	90°	0.95	0.28	3.39	0.09	1/8 NPT
0.25	5/18-18	0.62	0.72	0.47	90°	1.17	0.28	3.47	0.09	1/8 NPT
0.41	3/4-16	0.88	0.85	0.51	45°	1.50	0.31	3.91	0.09	1/8 NPT
0.50	1 1/4-12	1.19	1.20	0.81	45°	1.91	0.59	5.11	0.12	1/4 NPT

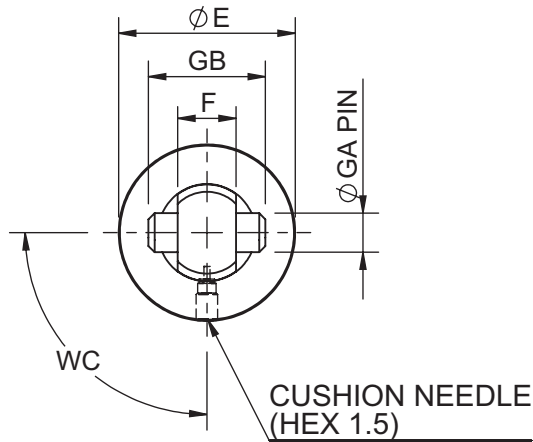
# Series NCM-A

## Dimensions



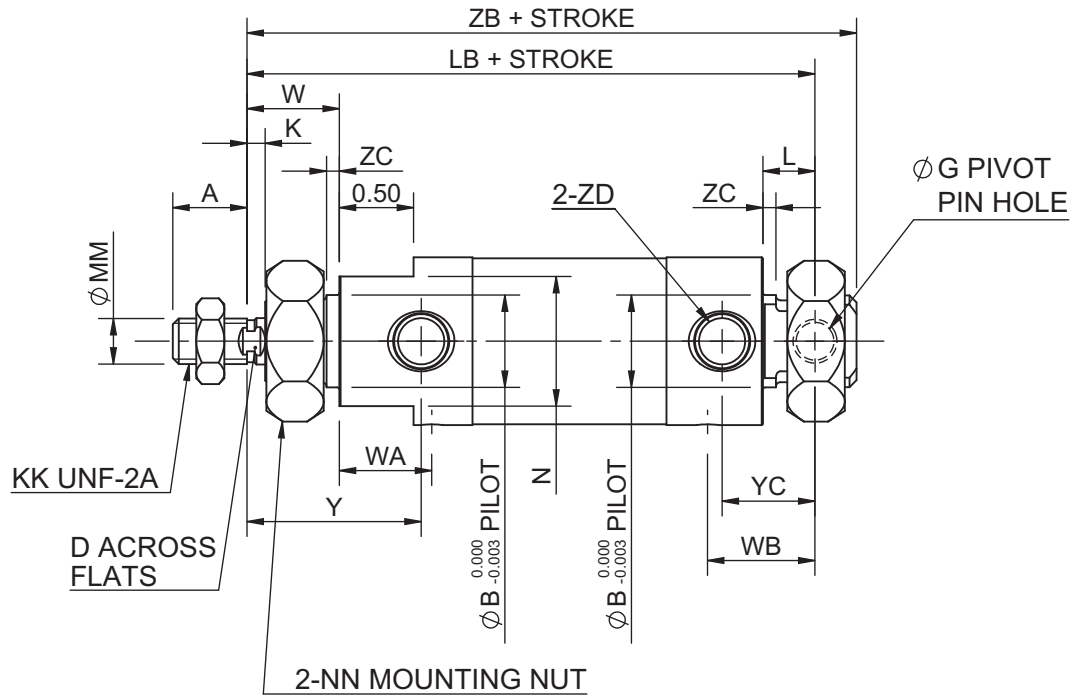
Bore	MM	KK	A	B	D	E	F	GA	GB	K	L
075 (3/4")	0.250	1/4-28	0.50	0.624	-	0.86	0.38	0.250	0.75	-	0.34
106 (1 1/16")	0.312	5/16-24	0.50	0.624	0.25	1.12	0.38	0.250	0.75	0.12	0.34
150 (1 1/2")	0.437	7/16-20	0.75	0.749	0.38	1.56	0.62	0.375	1.00	0.25	0.50
200 (2")	0.625	1/2-20	0.88	1.374	0.50	2.06	0.75	-	-	0.38	0.56

Note) The clevis pin for NCMC200 is not included.

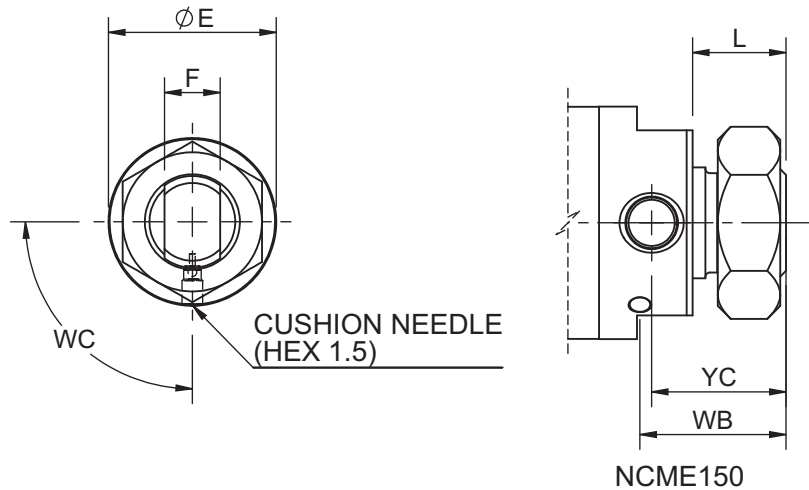


LB	N	NN	W	WA	WB	WC	Y	YC	ZB	ZC	ZD
3.74	0.75	5/8-18	0.50	0.60	0.86	90°	0.95	0.63	4.02	0.09	1/8 NPT
3.82	0.88	5/8-18	0.62	0.72	0.82	90°	1.17	0.63	4.10	0.09	1/8 NPT
4.37	1.25	3/4-16	0.88	0.85	0.98	45°	1.50	0.78	4.75	0.09	1/8 NPT
5.62	1.75	1 1/4-12	1.19	1.20	1.45	45°	1.91	1.03	6.06	0.12	1/4 NPT

**Dimensions**



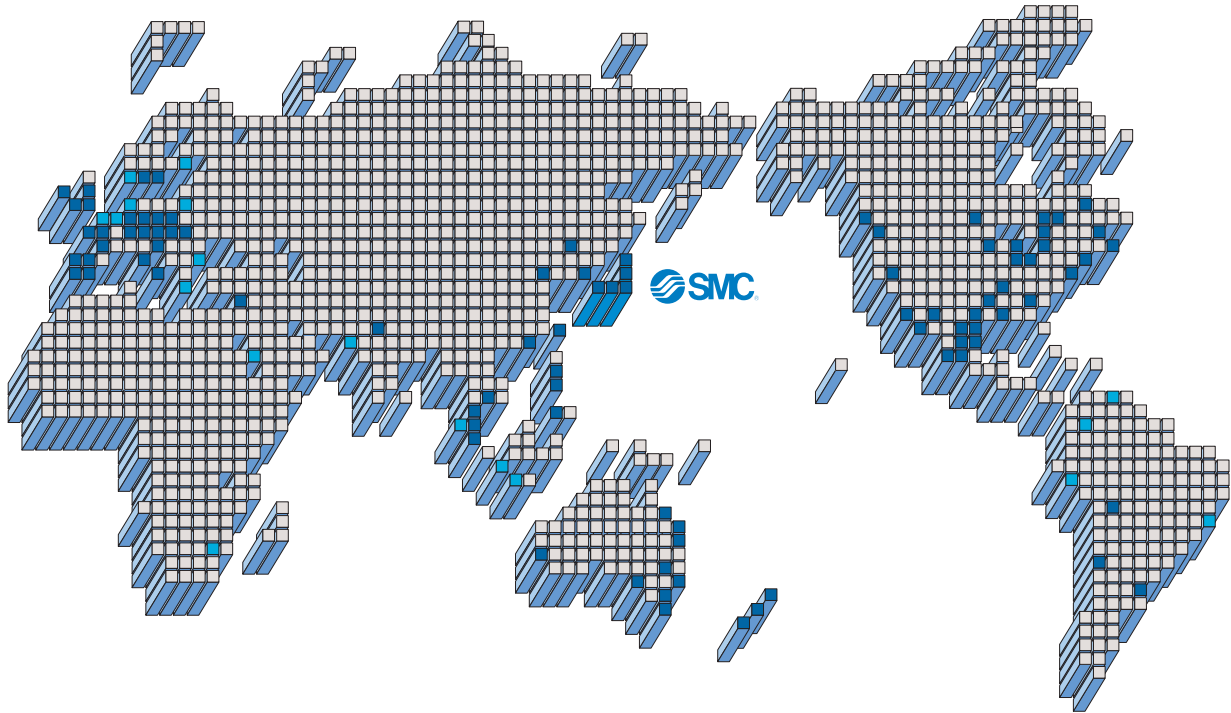
Bore	MM	KK	A	B	D	E	F	G	K	L
075 (3/4")	0.250	1/4-28	0.50	0.624	-	0.86	0.38	0.251	-	0.34
106 (1 1/16")	0.312	5/16-24	0.50	0.624	0.25	1.12	0.38	0.251	0.12	0.34
150 (1 1/2")	0.437	7/16-20	0.75	0.749	0.38	1.56	-	-	0.25	0.63
200 (2")	0.625	1/2-20	0.88	1.374	0.50	2.06	0.75	0.375	0.38	0.56



LB	N	NN	W	WA	WB	WC	Y	YC	ZB	ZC	ZD
3.74	0.75	5/8-18	0.50	0.60	0.86	90°	0.95	0.63	4.02	0.09	1/8 NPT
3.82	0.88	5/8-18	0.62	0.72	0.82	90°	1.17	0.63	4.10	0.09	1/8 NPT
-	1.25	3/4-16	0.88	0.85	1.10	45°	1.50	0.91	4.50	0.09	1/8 NPT
5.62	1.75	1 1/4-12	1.19	1.20	1.45	45°	1.91	1.03	6.06	0.12	1/4 NPT



# SMC's Global Manufacturing, Distribution And Service Network



## EUROPE

**AUSTRIA**  
SMC Pneumatik GmbH (Austria)

**BELGIUM**  
SMC Pneumatics N.V./S.A.

**BULGARIA**  
SMC Industrial Automation Bulgaria EOOD

**CROATIA**  
SMC Industrijska Automatika d.o.o.

**CZECH**  
SMC Industrial Automation CZ s.r.o.

**DENMARK**  
SMC Pneumatik A/S

**ESTONIA**  
SMC Pneumatics Estonia

**FINLAND**  
SMC Pneumatics Finland OY

**FRANCE**  
SMC Pneumatique S.A.

**GERMANY**  
SMC Pneumatik GmbH

**GREEK**  
SMC Hellas EPE

**HUNGARY**  
SMC Hungary Ipari Automatizálási Kft.

**IRELAND**  
SMC Pneumatics (Ireland) Ltd.

**ITALY**  
SMC Italia S.p.A.

**LATVIA**  
SMC Pneumatics Latvia SIA

**LIETUVA**  
SMC Pneumatics Lietuva, UAB

**NETHERLANDS**  
SMC Pneumatics BV

## EUROPE

**NORWAY**  
SMC Pneumatics Norway A/S

**POLAND**  
SMC Industrial Automation Polska Sp.z.o.o.

**ROMANIA**  
SMC Romania S.r.l.

**RUSSIA**  
SMC Pneumatik LLC.

**SLOVAKIA**  
SMC Priemyselná Automatizácia, s.r.o.

**SLOVENIA**  
SMC Industrijska Avtomatika d.o.o.

**SPAIN/PORTUGAL**  
SMC España, S.A.

**SWEDEN**  
SMC Pneumatics Sweden AB

**SWITZERLAND**  
SMC Pneumatik AG

**UK**  
SMC Pneumatics (U.K.) Ltd.

## ASIA

**CHINA**  
SMC (China) Co., Ltd.

**HONG KONG**  
SMC Pneumatics (Hong kong) Ltd.

**INDIA**  
SMC Pneumatics (India) Pvt. Ltd.

**JAPAN**  
SMC Corporation

**MALAYSIA**  
SMC Pneumatics (S.E.A.) Sdn. Bhd.

**PHILIPPINES**  
SMC Pneumatics (Philippines), Inc.

## ASIA

**SINGAPORE**  
SMC Pneumatics (S.E.A.) Pte. Ltd.

**SOUTH KOREA**  
SMC Pneumatics Korea Co., Ltd.

**TAIWAN**  
SMC Pneumatics (Taiwan) Co., Ltd.

**THAILAND**  
SMC Thailand Ltd.

## NORTH AMERICA

**CANADA**  
SMC Pneumatics (Canada) Ltd.

**MEXICO**  
SMC Corporation (Mexico) S.A. DE C.V.

**USA**  
SMC Corporation of America

## SOUTH AMERICA

**ARGENTINA**  
SMC Argentina S.A.

**BOLIVIA**  
SMC Pneumatics Bolivia S.R.L.

**BRAZIL**  
SMC Pneumaticos do Brazil Ltda.

**CHILE**  
SMC Pneumatics (Chile) S.A.

**VENEZUELA**  
SMC Neumatica Venezuela S.A.

## OCEANIA

**AUSTRALIA**  
SMC Pneumatics (Australia) Pty. Ltd.

**NEW ZEALAND**  
SMC Pneumatics (N.Z.) Ltd.

### SMC Corporation

Akihabara UDX15F, 4-14-1, Sotokanda, Chiyoda-ku,  
Tokyo 101-0021, Japan  
Phone: 03-5207-8271 Fax: 03-5298-5361  
URL <http://www.smcworld.com>

### SMC Corporation of America

10100 SMC Boulevard, Noblesville, Indiana,  
46060, U.S.A.  
Phone: 317-899-4440 Fax: 317-899-3102  
URL <http://www.smcusa.com>

### SMC Pneumatics (Canada) Ltd.

2715 Bristol Circle, Oakville, Ontario,  
L6H 6X5 Canada  
Phone: 800-762-7621 Fax: 905-812-8686  
URL <http://www.smcpcneumatics.ca>