



Hall Technologies • 1234 Lakeshore Dr Suite #150 Coppell, TX 75019 • halltechav.com

SPK-OW6

6.5" Surface Mount 40W Speaker, 8 Ohm/70V

User Manual

Version: 1.0



Table of Contents

Introduction	3
Features	3
Package Contents	3
Dimensions	4
Installation	4
Specifications	5

Introduction

Hall Technologies Speakers offer versatility and convenience. SPK-OW6 is a surface mount, 40-watt loudspeaker that includes taps for 8 ohm, 100-volt and 70-volt audio solutions and comes in a white finish. SPK-OW6 is perfect for K-12 classrooms, higher-ed classrooms and lecture halls, and medium to large meeting spaces.

Hall Technologies designs and builds complete solutions for AV applications. In order to provide our customers with a complete solution we have to offer all the components necessary to build out the application. Many of our solutions include built-in and external audio amplifiers. We offer a modest yet powerful line of speakers to complement our audio solutions and add convenience to our customers for one stop shopping.

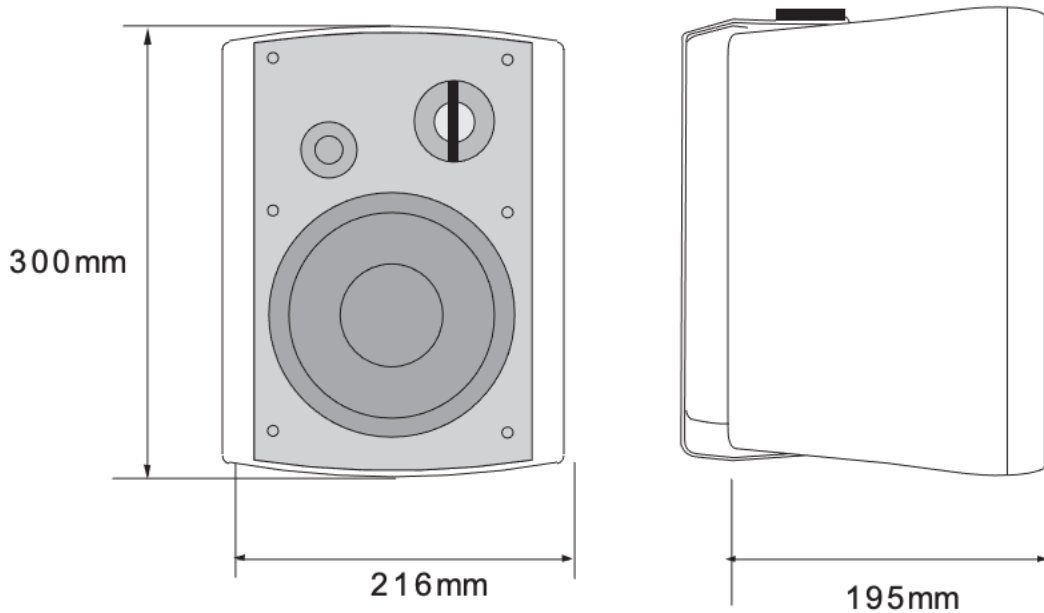
Features

- Excellent sound coverage with intelligible treble and powerful bass
- Sturdy ABS enclosure
- Stylish design to match room decor
- Taps for 8 Ohm, 70 and 100 volts
- Easy installation and simple power settings
- Adjustable installation brackets

Package Contents

- 1 x 1.5" Treble
- 1 x 6" Bass
- 1 x Mounting Bracket

Dimensions



Installation

STEP 1

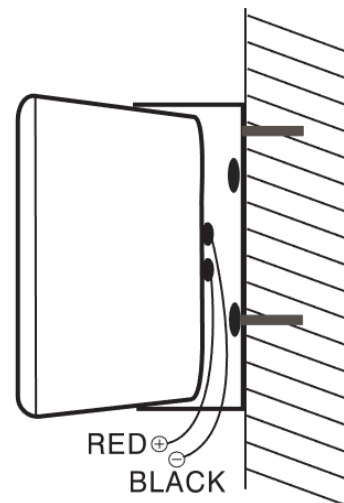
Attach the speaker bracket to the wall.

STEP 2

Select the appropriate power tap setting then bolt the speaker to the bracket

STEP 3

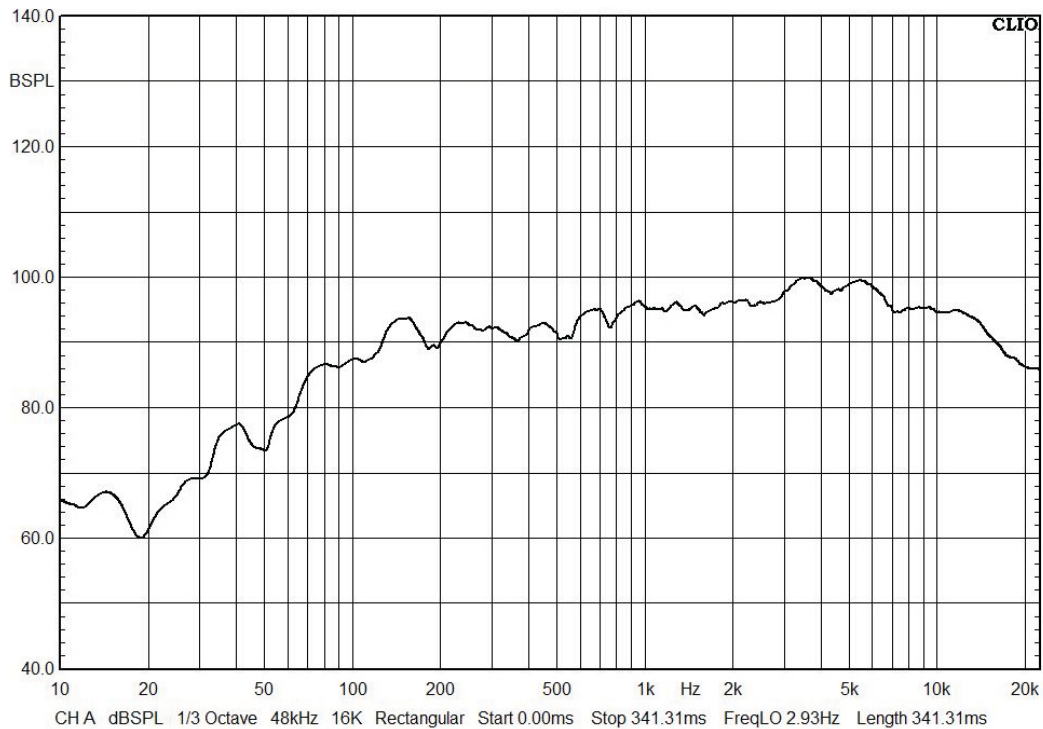
Connect the speaker wires to the appropriate positive and negative terminals.



Specifications

Feature	Detail
Power at 100V	40W
Power at 70V	20W
SPL (1W/1M)	88dB
Frequency Response 7	70Hz-20KHz
Dispersion Angle	90°
Dimensions	300mm x 216mm x 195mm
Installation	Wall mounted
Enclosure Material	ABS
Weight	3.3Kg
Finish	White
Speakers	1.5"x1"(Treble) 6"x1" (Bass)
SPL (1W/1M)	88dB

Wall Mount Speaker (WP-640FW)



WARNING

This symbol indicates that dangerous voltage constituting a risk of electric shock is present within this unit.



This symbol indicates that there are important operating and maintenance instructions in the literature accompanying this unit.



1. FOR OUTDOOR USE:

To reduce the risk of fire or electric shock, do not expose this apparatus to rain or moisture.

2. UNDER WET LOCATION:

Apparatus should not be exposed to dripping or splashing and no objects filled with liquids, such as vases should be placed on the apparatus.

3. SERVICE INSTRUCTIONS:

CAUTION - These servicing instructions are for use by qualified service personnel only. To reduce the risk of electric shock, do not perform any servicing other than that contained in the operating instructions unless you are qualified to do so.



© Copyright 2022. Hall Technologies
All rights reserved.

1234 Lakeshore Drive Suite #150, Coppell, TX 75019
halltechav.com / support@halltechav.com
(714)641-6607