



Hall Technologies • 1234 Lakeshore Dr Suite #150 Coppell, TX 75019 • halltechav.com

SPK-IC6 6" In-Ceiling Speakers w/ Fire Rated Backbox

User Manual

Version: 1.0



Table of Contents

Introduction	3
Features	3
Package Contents	4
Dimensions	5
Installation	6
Specifications	8

Introduction

SPK-IC6 is a Fire Rated 40 watt In-Ceiling Speaker with a 1" titanium dome tweeter and a 6.5" Graphite cone driver with rubber surround. The SPK-IC6 includes taps for 8 ohm, 100-volt and 70-volt audio solutions and comes in a plenum fire rated back box. SPK-IC6 is perfect for K-12 classrooms, higher-ed classrooms and lecture halls, and medium to large meeting spaces.

Hall Technologies designs and builds complete solutions for AV applications. In order to provide our customers with a complete solution we have to offer all the components necessary to build out the application. Many of our solutions include built-in and external audio amplifiers. We offer a modest yet powerful line of speakers to complement our audio solutions and add convenience to our customers for one stop shopping.

Features

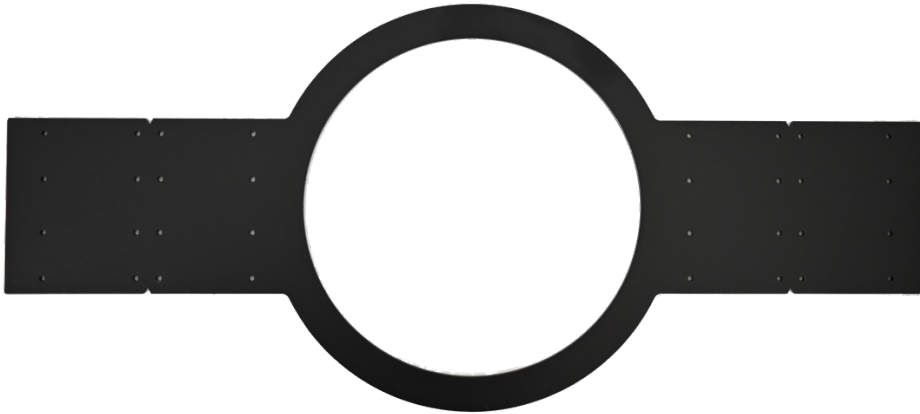
- Titanium Dome Tweeter
- Graphite Cone
- Sensitivity to 86 dB
- Taps for 8 Ohm, 70 and 100 volts
- Magnetic Speaker Grill
- Fire-Rated Back Box

Package Contents

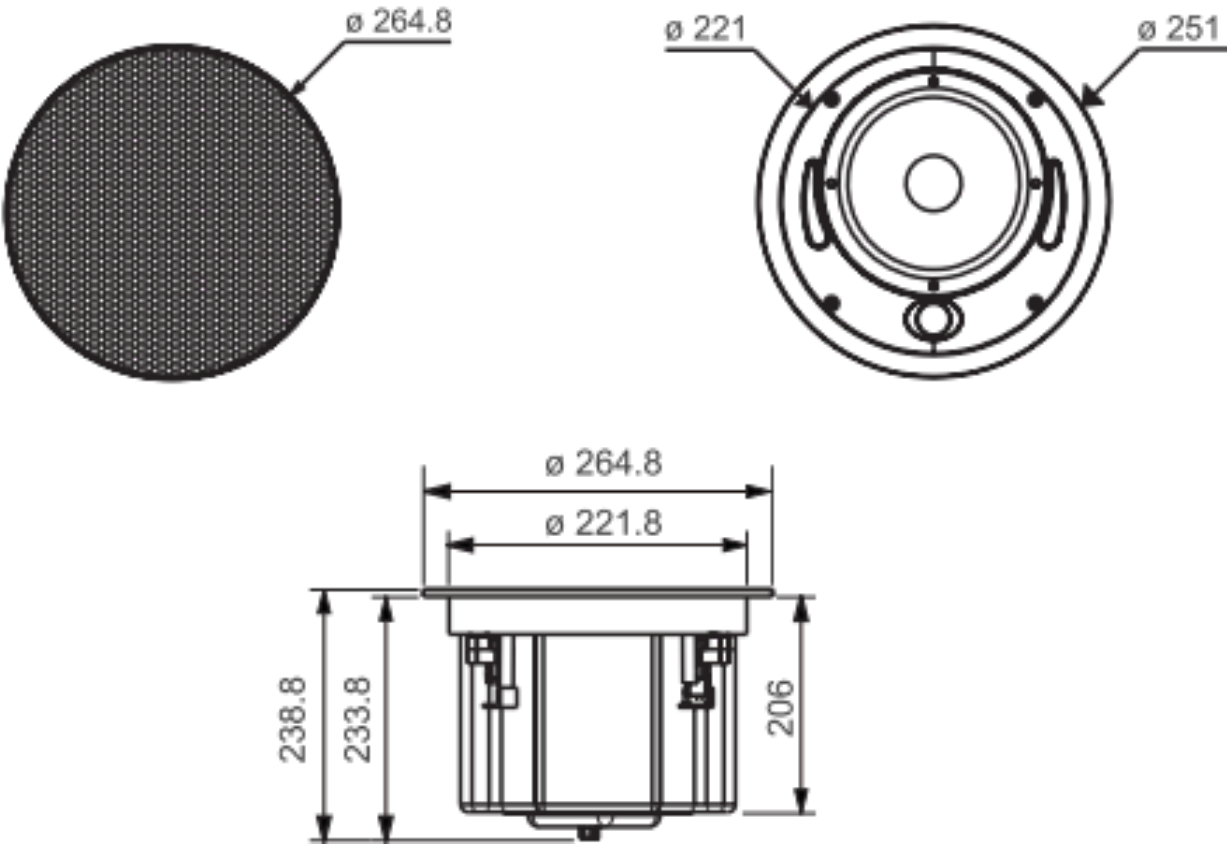
- 1 x Tweeter 1" (25mm) Titanium Dome
- 1 x Woofer 6.5" (165mm) Graphite Cone, Rubber Surround
- 1 x Cut out template grille

Optional Accessories (sold separately):

- Ceiling tile bridge SPK-IC6-BRKT



Dimensions



Installation

STEP 1

Using a stud finder or other accurate method, locate center point between two joists and mark. Using template provided, trace hold pattern on surface of ceiling.



STEP 2

Using a sabre saw, keyhole saw or very sharp utility knife, cut hole in ceiling. Following trace pattern.



STEP 3

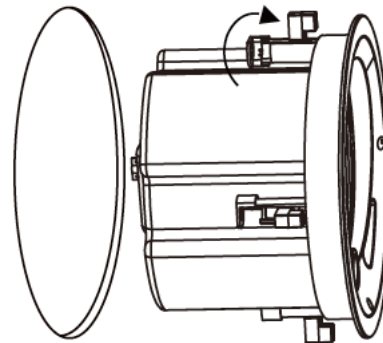
Run loudspeaker wire to sound source location. There are several methods you can use to accomplish wiring, depending on the construction characteristics of the room or house. You can add a professional touch to your installation by using a speaker terminal plate at the source location. Leave enough

wire at speaker. Location (8-10 inches / 20-25 cm) to complete connection.



STEP 4

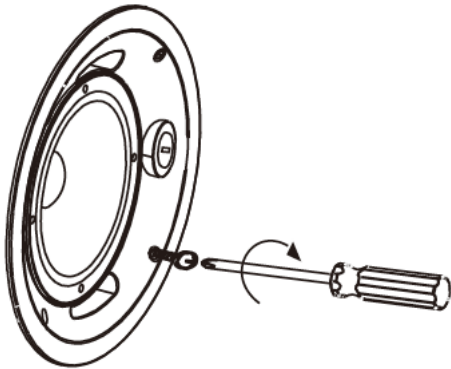
Attach loudspeaker wires to speaker terminals, observing correct polarity and position speaker frame up into cutout. Be careful not to pinch wires in the process.



STEP 5

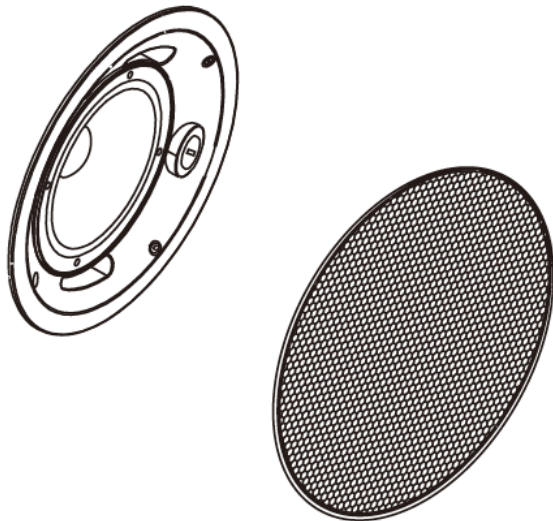
Carefully tighten the four mounting screws. This will cause the mounting wings to rotate

out behind the mounting surface and secure the speaker in place.



STEP 6

After the speaker panel is secured tightly, test sound. When you are satisfied the speaker is operational, then affix grill.



Specifications

Feature	Detail
Tweeter	1" (25mm) Titanium dome
Woofers	6.5" (165 mm) Graphite Cone, Rubber Surround
Frequency Range+/-3	65 Hz -20KHZ
Power Handling RMS	80 W program , 40 W (IEEE 219)
Sensitivity	86 dB
Taps	8Ω,0,40W,20W,10W,5W
Impedance	8 ohms
Termination	Standard pressed connector
Included Accessories	Cut Out template grille
Dimensions(H*D)	9.01" x 10.11" (236 x 257mm)
Cut Out diameter	8.85" (225mm)
Certifications	CE
Attachment	Low-profile grille
Material	ABS+iron

Service

This unit has very sophisticated circuitry and should only be serviced by a fully trained technician. This is why each unit bears the following label:



To prevent electric shock, do not remove covers. No user serviceable parts inside. Refer servicing to qualified technician.

Worldwide service

Service may be obtained from your local authorized service center. To obtain service, simply present your sales receipt as proof of purchase along with the defective unit to an authorized service center. They will handle the necessary paperwork and repair. Remember to transport your unit in the original factory packaging.

1. When sending a product to authorized service center for service, be sure to fill out the service information form and include it inside your unit's shipping pack. Do not send the service information form separately.
2. To ensure the safe transportation of your unit to the authorized service center, ship it in an original factory-packing container.
3. Do not ship the unit in any kind of rack. Ignoring this warning may result in extensive damage to the unit and the equipment rack. Accessories are not needed. Do not send the instruction manual, cables and any other hardware.

WEEE Mark

If you want to dispose of this product, do not mix with general household waste. There are separate collection systems for used electronic products in accordance with legislation under the WEEE Directive (Directive 2002/96/EC) effective only within the European Union.





© Copyright 2022. Hall Technologies
All rights reserved.

1234 Lakeshore Drive Suite #150, Coppell, TX 75019
halltechav.com / support@halltechav.com
(714)641-6607