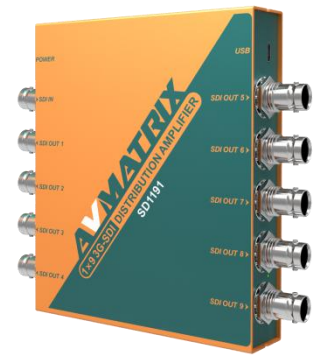


1x9 3G-SDI RECLOCKING DISTRIBUTION AMPLIFIER

SD1191

The SD1191 is a miniature 1x9 3G/HD/3G-SDI re-clocking distribution amplifier. The SD/HD/3G-SDI input signal is automatically detected. It features cable equalization and re-clocking techniques that enable the SDI cable distance up to SD: 400m, HD: 200m, 3G: 120m. It is also an ASI distributor amplifier that all input and outputs are compatible with ASI signal.



Connections

SDI Video Input

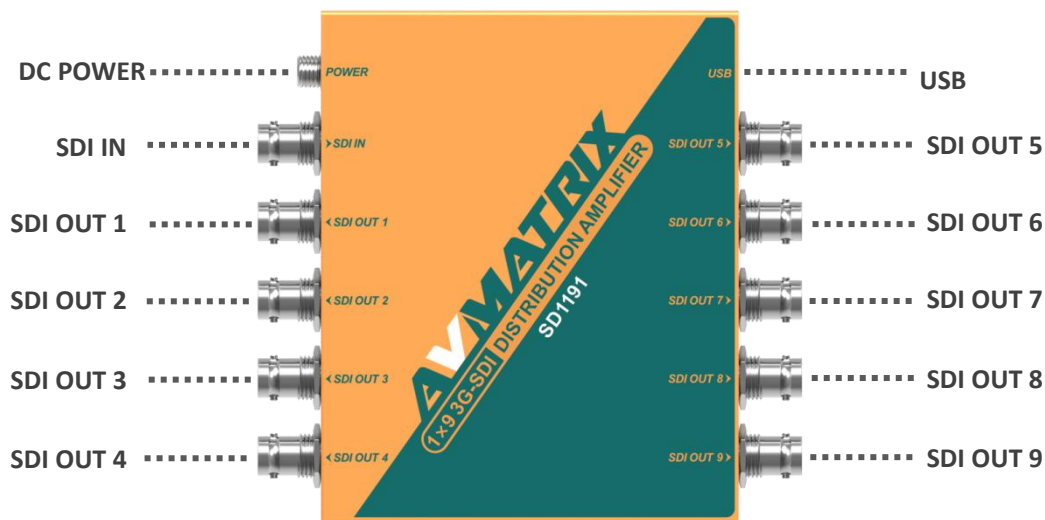
1xSD/HD/3G-SDI(75Ω BNC)

SDI Video Output

9xSD/HD/3G-SDI/ASI (75Ω BNC)

Updates

USB



Standards

SDI Format Support

(2K) 2048×1080p 30/29.97/25/24/23.98
 (2K) 2048×1080PsF 30/29.97/25/24/23.98
 (HD) 1920×1080p 60/59.94/50/30/29.97/25/24/23.98
 (HD) 1920×1080PsF 30/29.97/25/24/23.98
 (HD) 1920×1080i 60/59.94/50
 (HD) 1280×720p 60/59.94/50
 (HD) 1280×720p 30/29.97/25/24/23.98
 (SD) 625i 50/525i 59.94

SDI Auto Switching

Automatically detects SD, HD and 3G-SDI

SDI Compliance

SMPTE 372M, SMPTE 259M,
 SMPTE 292M, SMPTE 296M,
 SMPTE 424M, SMPTE 425M,
 DVB-ASI

SDI Color Space and Precision

RGB 4:4:4 10bit/12bit
 YUV 4:2:2 10bit/12bit
 YUV 4:4:4 10bit/12bit
 XYZ 4:4:4 12bit

Power

Power Supply

Threaded locking DC connector

Voltage Range

DC 6-24V

Power Consumption

5W (Max)

Physical Specifications

Dimension

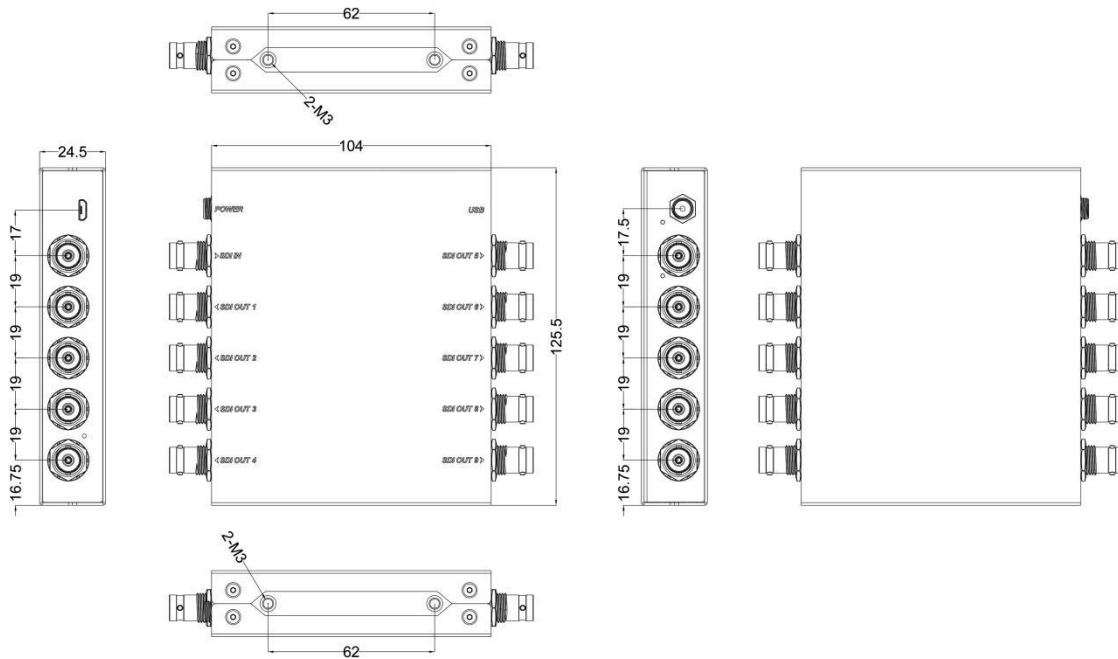
125.5×104×24.5mm

Net Weight

600g

Gross Weight

1300g



Environmental Specifications

Operating Temperature

-20°C~60°C

Storage Temperature

-30°C~70°C

Relative Humidity

0%~90% non-condensing

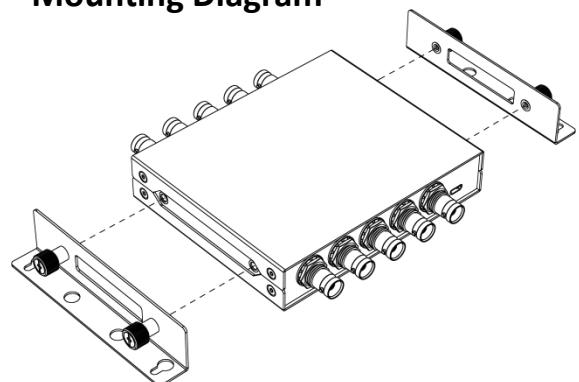
What's Included

SD1191 (1×9 3G-SDI Reclocking Distribution Amplifier)

DC 12V Universal Power Supply with International Socket Adapters

Mounting Brackets ×2

Mounting Diagram



Warranty

3 Year Limited Manufacturer's Warranty.

◇ Note: due to constant effort to improve products and product features, specifications may change without notice.