

1x5 12G-SDI RECLOCKING DISTRIBUTION AMPLIFIER

SD1151-12G

The SD1151-12G is a miniature 1x5 12G-SDI re-clocking distribution amplifier. The SD/HD/3G/6G/12G-SDI input signal is automatically detected. It features cable equalization and re-clocking techniques that enable the SDI cable distance up to SD: 400m, HD: 200m, 3G: 120m, 12G: 60m. It is also an ASI distributor amplifier that all input and outputs are compatible with ASI signal.



Connections

SDI Video Input

1xSD/HD/3G/6G/12G-SDI (75Ω BNC)

Power Input

Dual DC Power, USB Power

SDI Video Output

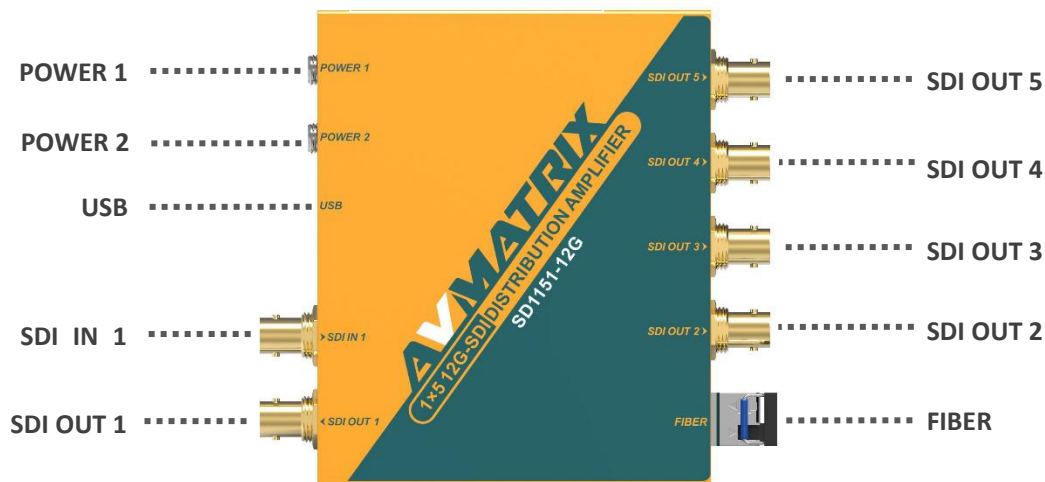
5xSD/HD/3G/6G/12G-SDI/ASI (75Ω BNC)

Updates

USB

FIBER Output

SFP Module for option, single mode, 1310nm, LC Connector



Standards

SDI Format Support

(SD) 625i 50/525i 59.94

(HD) 1280x720p 60/59.94/50 /30/29.97/25/24/23.98

(HD) 1920x1080p 30/29.97/25/24/23.98

(HD) 1920x1080PsF 30/29.97/25/24/23.98

(HD) 1920x1080i 60/59.94/50

(2K) 2048x1080p 30/29.97/25/24/23.98

(2K) 2048x1080PsF 30/29.97/25/24/23.98

(2K) 2048x1080 i 60/59.94/50

(3G) 1920x1080p 60/59.94/50

(6G) 1920x1080p/2048x1080p 47.95/48/50/59.94/60

(6G) 3840x2160p/4096x2160p 23.98/24/25/29.97/30

(12G) 3840x2160p/4096x2160p 23.98/24/25/29.97/30/47.95/48/50/59.94/60

SDI Compliance

SMPTE 259M, SMPTE 292M,

SMPTE 296M,

SMPTE 424M, SMPTE 425M,

SMPTE ST-2081, SMPTE ST-2082

SMPTE 274M

ITU-R BT.656, ITU-R BT.601

DVB-ASI

Optical Fiber Compliance

SMPTE 297M 2006

SDI Color Space and Precision

RGB 4:4:4 10bit/12bit

YUV 4:2:2 10bit/12bit

YUV 4:4:4 10bit/12bit

XYZ 4:4:4 12bit

Power

Power Supply

Threaded locking DC connector
 Micro USB

Voltage Range

DC 6-23V
 USB 5-5.5V

Power Consumption

3W (Max)

Physical Specifications

Dimension

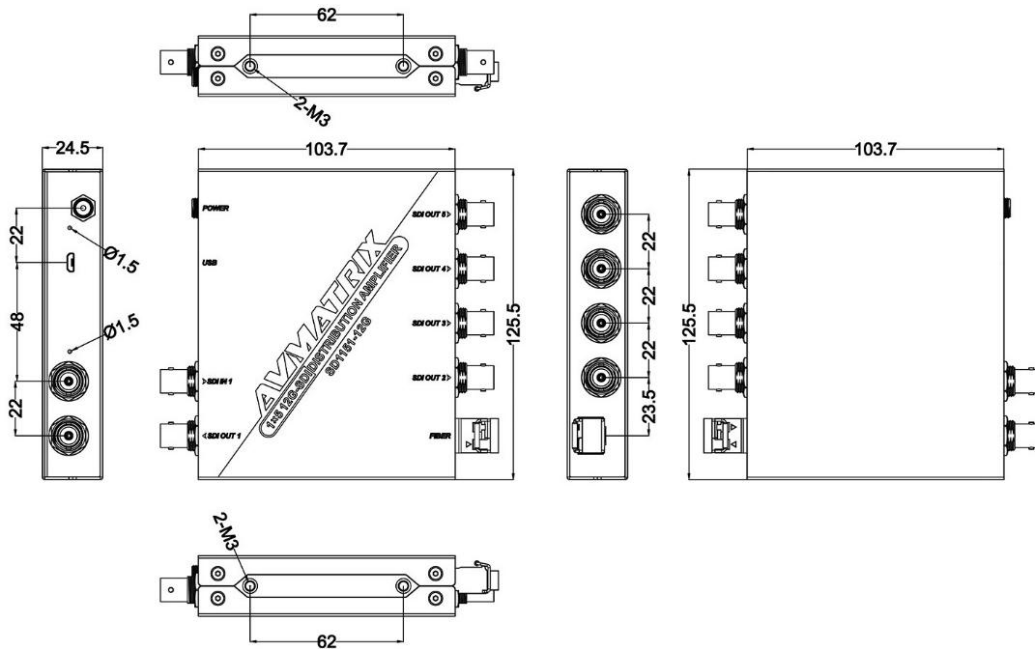
125.5×104×24.5mm

Gross Weight

1300g

Net Weight

600g



Environmental Specifications

Operating Temperature

-20°C~60°C

Storage Temperature

-30°C~70°C

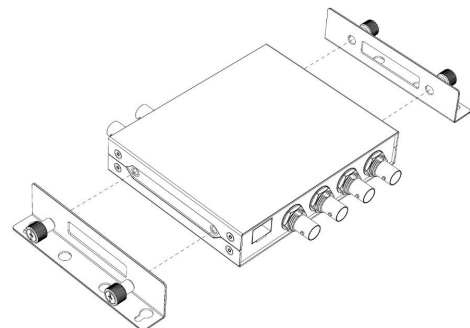
Relative Humidity

0%~90% non-condensing

What's Included

SD1151 (1×5 12G-SDI Reclocking Distribution Amplifier)
 DC 12V Universal Power Supply with International Socket Adapters
 Mounting Brackets ×2

Mounting Diagram



Warranty

3 Year Limited Manufacturer's Warranty.

◇ Note: due to constant effort to improve products and product features, specifications may change without notice.