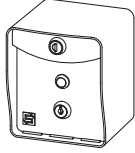





**1** Carefully unpack box.


**2** Make sure you have everything shown here. (Screwdriver not shown)




RTE Unit




Key Switch Keys




Lock Key



Carriage Bolt  
(4x)



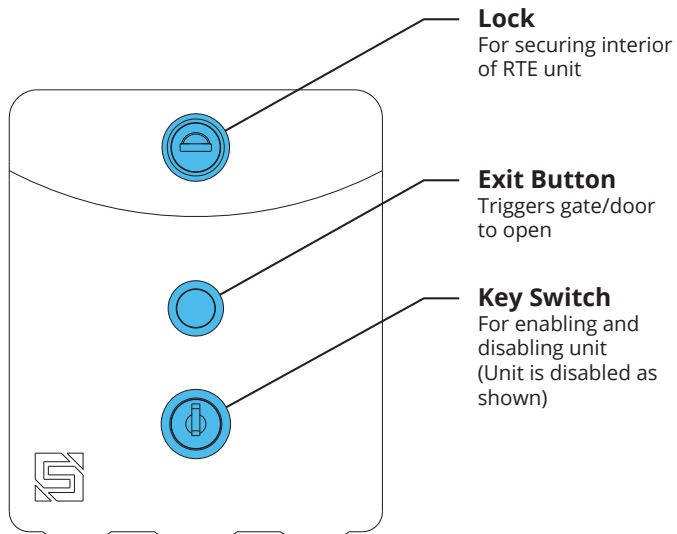
Hex Nut  
(4x)



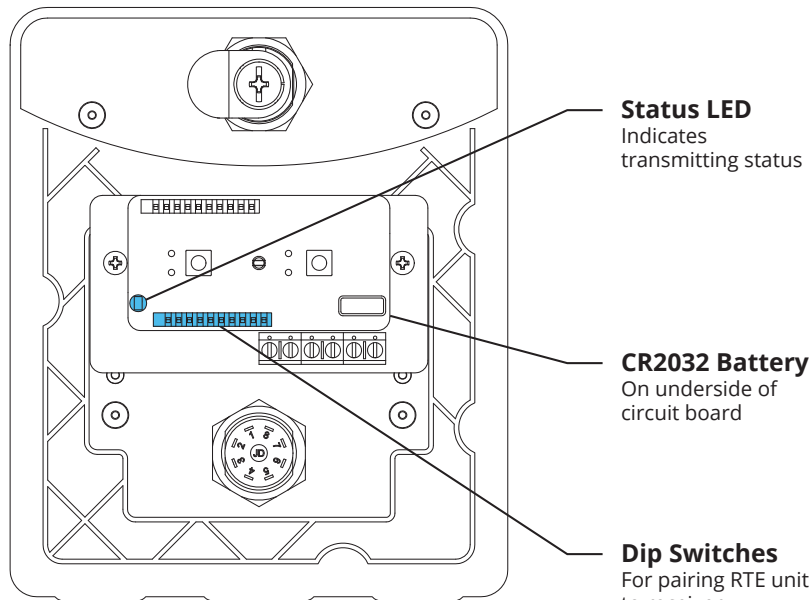
Hole Plug

## What's what?

Important components labeled



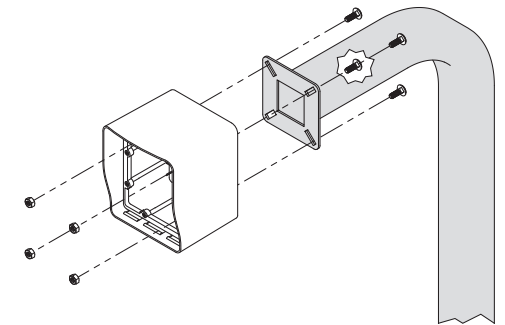
**RTE Unit Front Panel (Front)**



**RTE Unit Front Panel (Back)**

Internal wiring not shown for clarity.

**3** Unlock and remove faceplate of RTE unit; then using carriage bolts and hex nuts, attach to pedestal as shown.



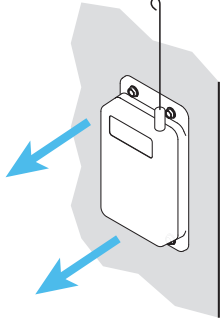
! **WARNING!**

**AUTOMATIC GATES CAN CAUSE SERIOUS INJURY OR DEATH!**

**ALWAYS CHECK that the GATE PATH IS CLEAR BEFORE OPERATING!**

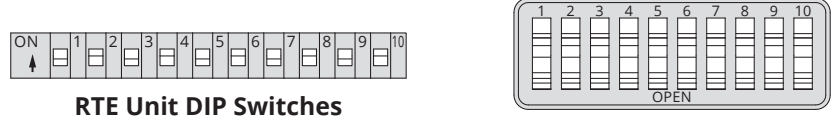
**REVERSING or other SAFETY DEVICES SHOULD ALWAYS BE USED!**

**4** Locate receiver (not included) and open for access to DIP switches.



**NOTE:** For a gate installation, the receiver is typically installed inside the gate operator housing.

**5** Carry RTE unit to receiver; then set DIP switches on RTE unit to match DIP switches on receiver. Double check for match.



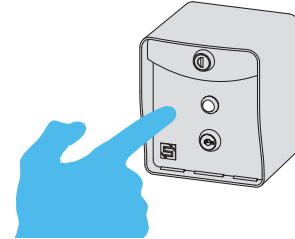
**RTE Unit DIP Switches (DIP SW1)**

**Receiver DIP Switches**  
(look of components may vary)

1 2 3 4 5 6 7 8 9 0/10

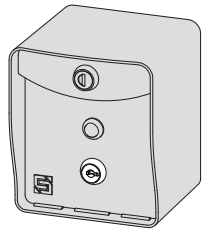
**NOTE:** Use the blanks above to note positions. Use an "X" for ON and leave blank for OFF. DIP switches may be labeled differently. The word, OPEN, means the same thing as OFF.

**6** Make sure gate/door path is clear; then press exit button on RTE unit and confirm gate/door opens. (If nothing happens, go back to Step 5)

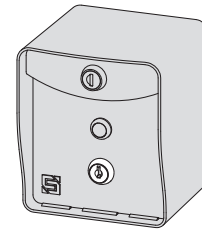


**NOTE:** Key switch must be in the "enabled" position.

**A** The RTE unit can be disabled or enabled at any time using the key switch located below the exit button.



**Unit Enabled**  
(exit button active)




**Unit Disabled**  
(exit button inactive)

**IMPORTANT!**

The RTE 300 is compatible **ONLY** with **300-MHz RECEIVERS** that use **10 DIP SWITCHES**, including those with the Digi-Code or Multi-Code® brands.

This unit **WILL NOT WORK** with any other receivers!

If you are not sure what kind of receiver you have, check with your distributor.



**INSTALLATION COMPLETE!**

Your system is ready to use.



## NEED HELP

Call (972) 474-6390  
Email [techsupport@securitybrandsinc.com](mailto:techsupport@securitybrandsinc.com)  
We are available **Mon-Fri / 8am-5pm Central**



**SECURITY BRANDS INC**  
your *partner* in access control