

Series RPGA sprue grippers

Size 20mm

Angular, not self-centering, single-acting, Normally Open
 Models available: Flat Finger, Curved Finger, Short Finger,
 Flat Finger with sensor slot, Curved Finger with sensor slot



Thanks to a piston with a size of 20mm and to the direct transfer of the force from the piston to the fingers, Series RPGA guarantees a strong and a safe grip.

Their technical features ensure a high gripping force and make these grippers particularly suitable in the removal of injection molded items. The surface treatments on each metallic part make this series very wear resistant.

D and E models are provided with a finger having a slot for the installation of an inductive sensor.

GENERAL DATA

| | |
|---------------------------|--|
| Operation | single-acting, Normally Open |
| Materials | anodized aluminium body and fingers, PU seals |
| Working pressure | 2.5 bar ÷ 8 bar |
| Working temperature | 0°C ÷ 60°C |
| Max frequency | 2.5 Hz |
| Lubrication | Not necessary |
| Air ports | G1/8 |
| Media | Filtered air, without lubrication |
| Size | 20 mm |
| Weights | 120 g (models A and B); 125 g (models C, D, E) |
| Gripping torque at 6 bar | 310 Ncm |
| Opening torque at 6 bar | 25 Ncm |
| Gripping force at 6 bar | 90 N |
| Closing time without load | 20 ms |
| Opening time | 75 ms |

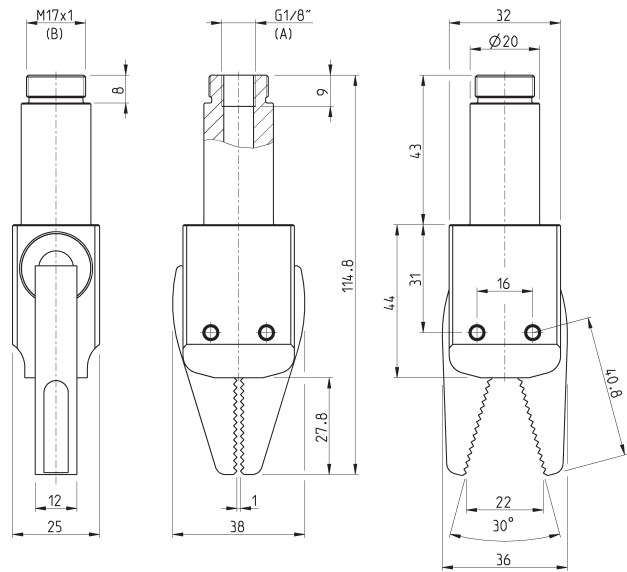
CODING EXAMPLE

| | | | | |
|-------------|---|-----------|---|----------|
| RPGA | - | 20 | - | A |
|-------------|---|-----------|---|----------|

| | |
|-------------|--|
| RPGA | SERIES |
| 20 | SIZE: 20 = Ø 20 mm |
| A | TYPE OF CONSTRUCTION: A = Flat finger B = Curved finger C = Short finger with mounting holes for extensions D = Flat finger for sensor E = Curved finger for sensor |

SERIES RPGA SPRUE GRIPPERS

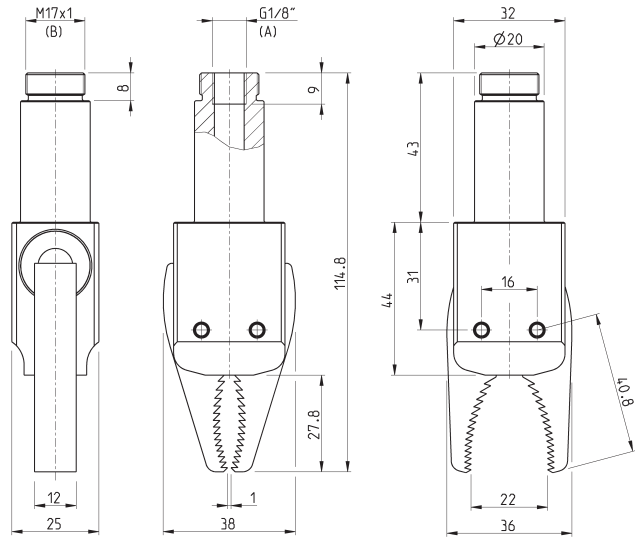
Flat finger gripper Mod. RPGA-20-A - dimensions



A = connection port
B = fixing thread

Mod.
RPGA-20-A

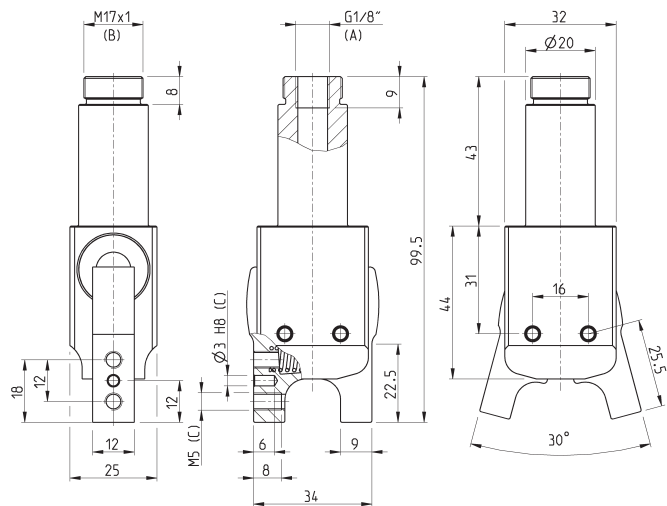
Curved finger gripper Mod. RPGA-20-B - dimensions



A = connection port
B = fixing thread

Mod.
RPGA-20-B

Short finger gripper Mod. RPGA-20-C - dimensions



A = connection port
B = fixing thread
C = fixing holes

Mod.
RPGA-20-C

