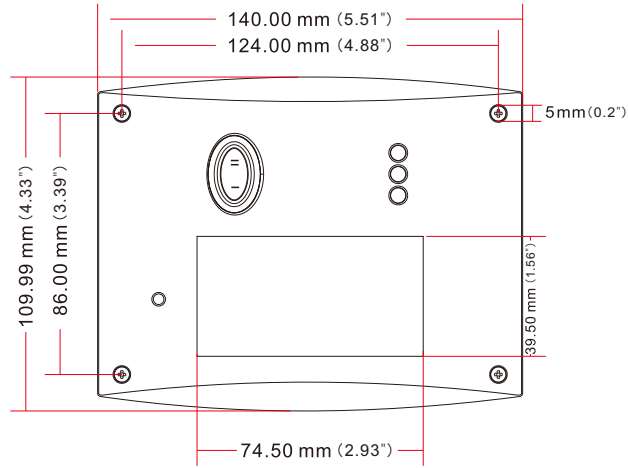
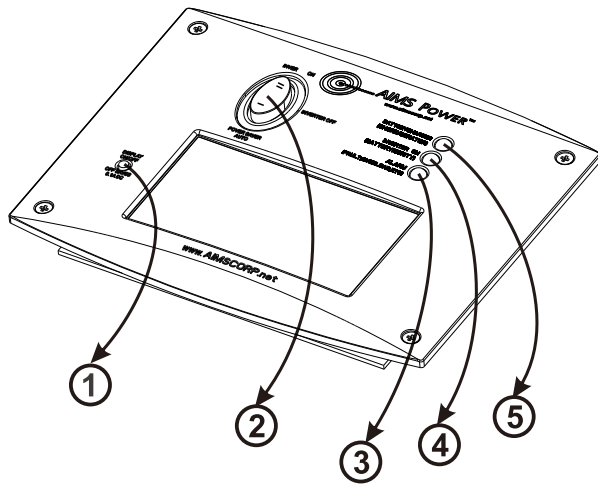


Remote Control Module Instruction

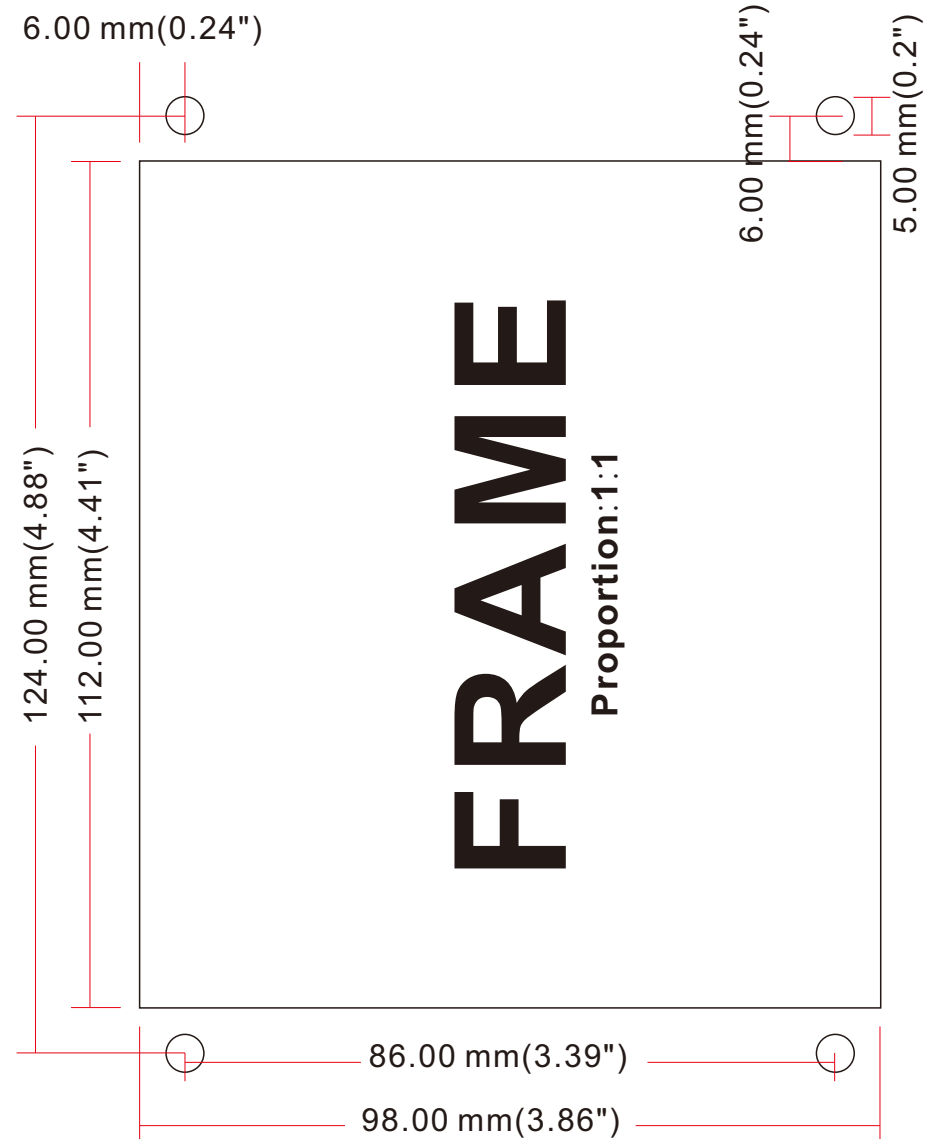
1. Overall Dimensions



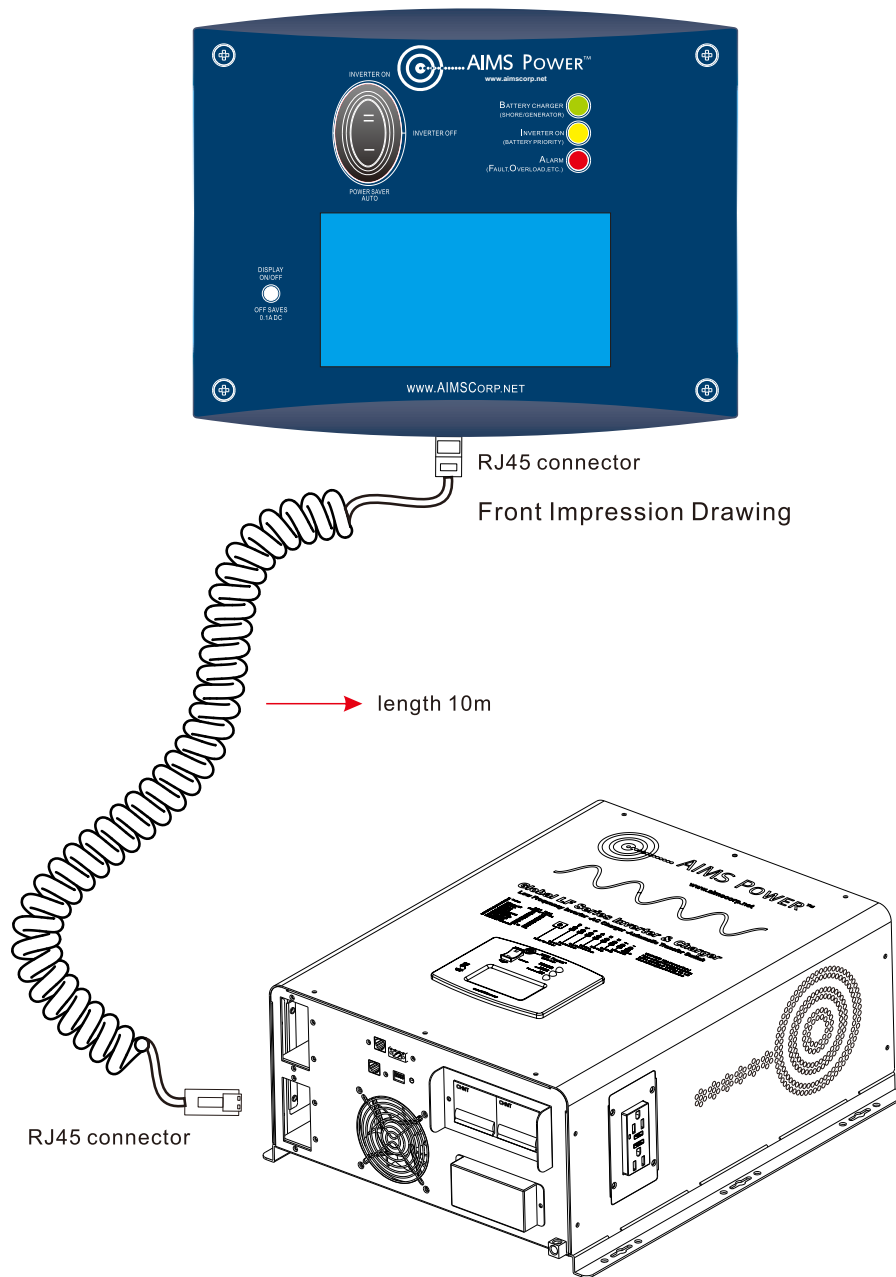
2. Function Description Drawing



3. LCD mounting hole size




4.Connection Diagram



5.LCD Display

SYSTEM OVERVIEW

Input AC: 000 V	Output AC: 000 V
Batt DC: 0000 V	Output Freq: 0000Hz
Output Load: 000%	Work mode: Online
Alarm: NO	
Fault: NO	

- Input Ac: Real AC Input Line Voltage
- Batt Dc: Real Battery Voltage Or Charging Voltage
- Output Load: Real AC Load Percentage
- Alarm: Yes Or No (Ref Manual)
- Fault: Yes Or No (Ref Manual)
- Output Ac: Real AC Output Voltage
- Output Freq: 50Hz Or 60Hz
- Work Mode: Online Or Inverter

