



# User Manual

Sound Level Transmitter PCE-SLT-TRM



User manuals in various languages (français, italiano, español, português, nederlands, türk, polski, русский, 中文) can be found by using our product search on: [www.pce-instruments.com](http://www.pce-instruments.com)

Last change: 29 December 2023  
v1.0



## Contents

1	Safety notes.....	1
2	Specifications.....	2
3	Description of the user interface (figure 1).....	2
4	Installation.....	3
5	Calibration.....	3
6	Dimensional sketches.....	3
7	Contact.....	4
8	Disposal.....	4

## 1 Safety notes

Please read this manual carefully and completely before you use the device for the first time. The device may only be used by qualified personnel and repaired by PCE Instruments personnel. Damage or injuries caused by non-observance of the manual are excluded from our liability and not covered by our warranty.

- The device must only be used as described in this instruction manual. If used otherwise, this can cause dangerous situations for the user and damage to the meter.
- The instrument may only be used if the environmental conditions (temperature, relative humidity, ...) are within the ranges stated in the technical specifications. Do not expose the device to extreme temperatures, direct sunlight, extreme humidity or moisture.
- Do not expose the device to shocks or strong vibrations.
- The case should only be opened by qualified PCE Instruments personnel.
- Never use the instrument when your hands are wet.
- You must not make any technical changes to the device.
- The appliance should only be cleaned with a damp cloth. Use only pH-neutral cleaner, no abrasives or solvents.
- The device must only be used with accessories from PCE Instruments or equivalent.
- Before each use, inspect the case for visible damage. If any damage is visible, do not use the device.
- Do not use the instrument in explosive atmospheres.
- The measurement range as stated in the specifications must not be exceeded under any circumstances.
- The device is subject to the generally applicable norms and standards (IEC651 Type 2, ANSI S1.4 Type 2) and is CE certified.
- Non-observance of the safety notes can cause damage to the device and injuries to the user.

We do not assume liability for printing errors or any other mistakes in this manual.

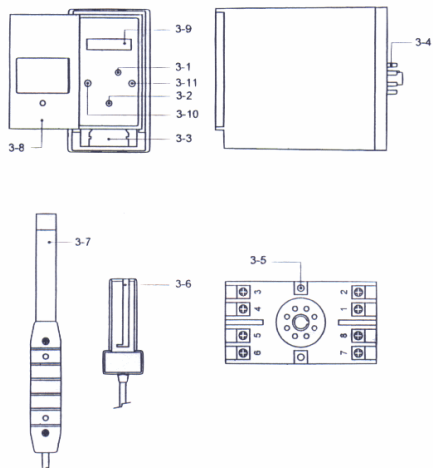
We expressly point to our general guarantee terms which can be found in our general terms of business.

## 2 Specifications

<b>Sound sensor</b>	
Measurement range	30 ... 130 dB in three ranges
Resolution	0.1 dB
Accuracy	±1.5 dB (range 125 ... 500 Hz)
Frequency weighting	A
Power supply	via transmitter
Cable length (sensor to transmitter)	1.5 m
Environmental conditions	max. 80 % RH / 0 ... +50 °C / +32 ... +122 °F
Microphone	1/2" precision electret microphone
Standard	IEC 651 Type II (Class II)
<b>Transmitter</b>	
Housing	ABS plastic
Power supply	90 ... 260 ACV (max. 1.5 A)
Calibration	adjustable via grub screw
Output	4 ... 20 mA
Protection class	IP 54
Environmental conditions	max. 85 % RH / 0 ... +50 °C / +32 ... +122 °F

## 3 Description of the user interface (figure 1)

- 3-1 Calibration screw
- 3-2 Voltage display
- 3-3 Sensor plug-in unit
- 3-4 Output connector
- 3-5 Wireless layout connector
- 3-6 Sensor plug-in connector
- 3-7 Sound sensor
- 3-8 Front cover
- 3-9 Range switch
- 3-10 Overrange indicator
- 3-11 Sub-range display



## 4 Installation

Connect the cables for the power supply (90 ... 230 V) and for the analogue output (4 ... 20 mA) to the cable socket (figure 1, 3-5) as follows:

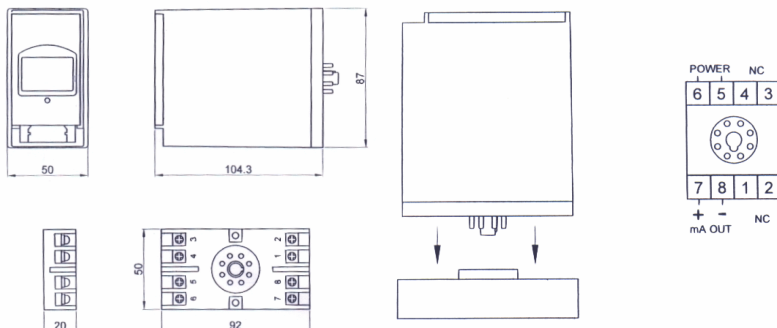
- Pull the cable connection socket off the back of the transmitter
- Use slots 5 and 6 for the power supply
- Use slots 7 and 8 for the 4 - 20 mA signal (slot 7 for + and slot 8 for -)
- After you have screwed on the cables, slide the cable connection socket back on the transmitter (figure 1, 3-4)
- Insert the sensor plug into the sensor slot at the bottom of the transmitter.
- Select the most likely suitable measurement range with the measurement range switch (3-9) on (if the sub-range indicator (3-11) lights up, go to the select the next higher range)
- The transmitter is set to an analogue output signal of 4 - 20 mA (range 1: 30 dB corresponds to 7.69 mA / 80 dB = 13.84 mA  
range 2: 50 dB = 10.15 mA / 100 dB 16.3 mA  
range 3: 80 dB = 13.84 mA / 130 dB = 20 mA)
- The maximum output resistance is 200 ohm

## 5 Calibration

The sound transmitter including sound sensor is supplied factory-adjusted as standard. However, the sensor is subject to natural drift and should therefore be recalibrated regularly. The additional sound calibrator PCE-SC 43 is required for this purpose. This sound calibrator has an opening that is precisely matched to the diameter of the sound sensor. When switched on, the calibrator emits a calibration sound level of exactly 94 dB. This sound level serves as a reference for setting the transmitter using the grub screw (SPAN). Leave the transmitter or the complete PCE-SLT sound warning system switched on and observe the sound level displayed on the digital display.

Slide the sound sensor (silver tip) into the opening on the sound calibrator PCE-SC 43 and switch on the calibrator. If there is now a difference between the actual value on the digital display and the calibration value of 94 dB, please turn the grub screw carefully (please open the front cover of the transmitter beforehand) and observe the displayed value. Turn the screw until the value is exactly 94.0 dB. If this is the case, the recalibration is complete. Now switch off the calibrator and pull the sensor out of the calibrator opening. Close the transmitter cover.

## 6 Dimensional sketches





## 7 Contact

If you have any questions, suggestions or technical problems, please do not hesitate to contact us. You will find the relevant contact information at the end of this user manual.

## 8 Disposal

For the disposal of batteries in the EU, the 2006/66/EC directive of the European Parliament applies. Due to the contained pollutants, batteries must not be disposed of as household waste. They must be given to collection points designed for that purpose.

In order to comply with the EU directive 2012/19/EU we take our devices back. We either re-use them or give them to a recycling company which disposes of the devices in line with law.

For countries outside the EU, batteries and devices should be disposed of in accordance with your local waste regulations.

If you have any questions, please contact PCE Instruments.



## PCE Instruments contact information

### Germany

PCE Deutschland GmbH  
Im Langel 26  
D-59872 Meschede  
Deutschland  
Tel.: +49 (0) 2903 976 99 0  
Fax: +49 (0) 2903 976 99 29  
info@pce-instruments.com  
www.pce-instruments.com/deutsch

### United Kingdom

PCE Instruments UK Ltd  
Trafford House  
Chester Rd, Old Trafford  
Manchester M32 0RS  
United Kingdom  
Tel: +44 (0) 161 464902 0  
Fax: +44 (0) 161 464902 9  
info@pce-instruments.co.uk  
www.pce-instruments.com/english

### The Netherlands

PCE Brookhuis B.V.  
Institutenweg 15  
7521 PH Enschede  
Nederland  
Telefoon: +31 (0)53 737 01 92  
info@pcebenelux.nl  
www.pce-instruments.com/dutch

### France

PCE Instruments France EUURL  
23, rue de Strasbourg  
67250 Soultz-Sous-Forets  
France  
Téléphone: +33 (0) 972 3537 17  
Numéro de fax: +33 (0) 972 3537 18  
info@pce-france.fr  
www.pce-instruments.com/french

### Italy

PCE Italia s.r.l.  
Via Pesciatina 878 / B-Interno 6  
55010 Loc. Gragnano  
Capannori (Lucca)  
Italia  
Telefono: +39 0583 975 114  
Fax: +39 0583 974 824  
info@pce-italia.it  
www.pce-instruments.com/italiano

### United States of America

PCE Americas Inc.  
1201 Jupiter Park Drive, Suite 8  
Jupiter / Palm Beach  
33458 FL  
USA  
Tel: +1 (561) 320-9162  
Fax: +1 (561) 320-9176  
info@pce-americas.com  
www.pce-instruments.com/us

### Spain

PCE Ibérica S.L.  
Calle Mula, 8  
02500 Tobarra (Albacete)  
España  
Tel. : +34 967 543 548  
Fax: +34 967 543 542  
info@pce-iberica.es  
www.pce-instruments.com/espanol

### Turkey

PCE Teknik Cihazları Ltd.Şti.  
Halkalı Merkez Mah.  
Pehlivan Sok. No.6/C  
34303 Küçükçekmece - İstanbul  
Türkiye  
Tel: 0212 471 11 47  
Faks: 0212 705 53 93  
info@pce-cihazlari.com.tr  
www.pce-instruments.com/turkish

### Denmark

PCE Instruments Denmark ApS  
Birk Centerpark 40  
7400 Herning  
Denmark  
Tel.: +45 70 30 53 08  
kontakt@pce-instruments.com  
www.pce-instruments.com/dansk