

LYNX

OCM 5818

fiber

SERIES 5000

CardModules

18 Channel CWDM Optical MUX/DEMUX

Description

The OCM 5818 is an 18 channel CWDM passive optical multiplexer and/or de-multiplexer. This module allows the combination of up to 18 optical signals into a single unidirectional or bi-directional fiber link.

The module is passive in operation, meaning it requires no power, and is mechanically compatible with all Series 5000 rack frames and installs from the rear of the rack.

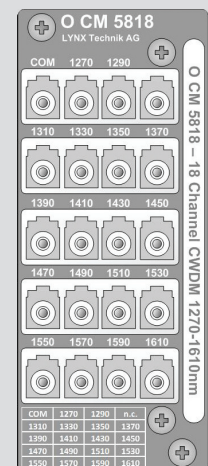
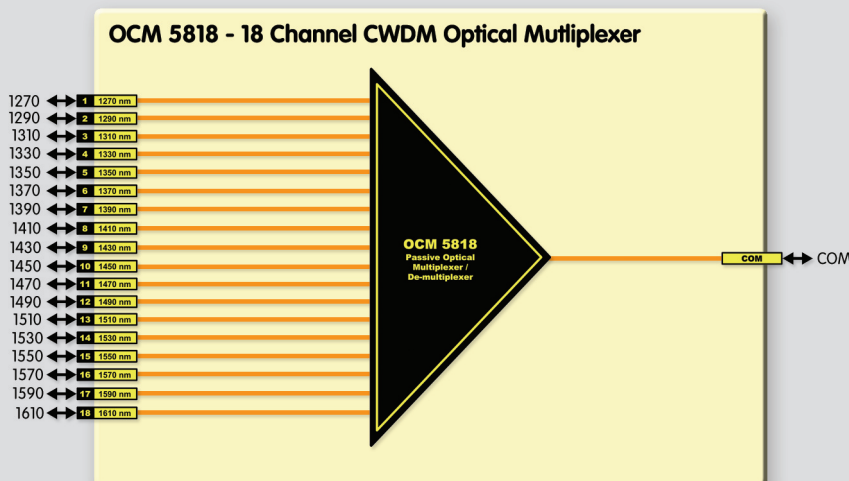
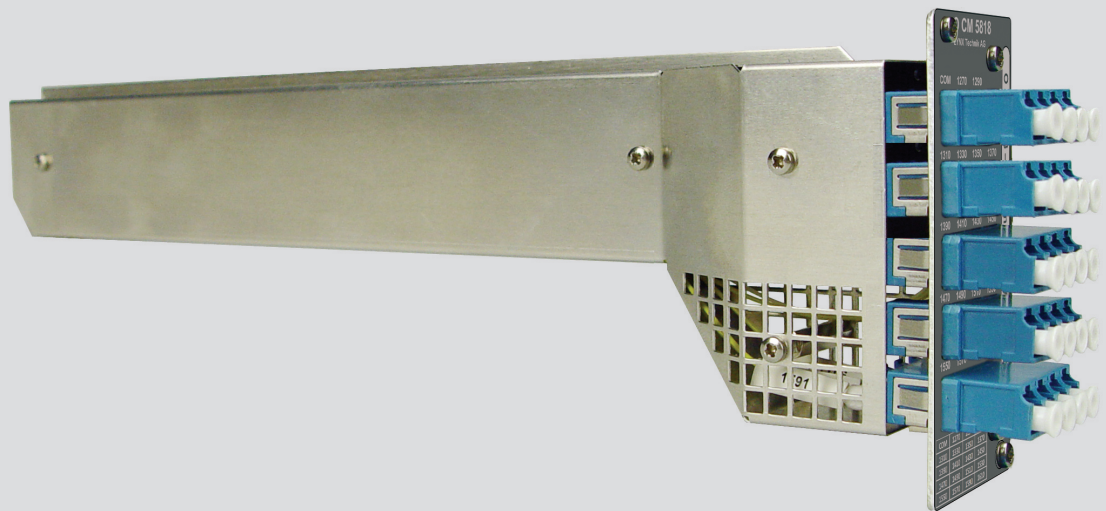
This version of the module supports all 18 wavelengths as specified in the ITU standard CWDM channel spacing grid (ITU-T G 694.2) namely 1270nm through 1610nm wavelengths.

Features

- Mux and / or Demux up to 18 optical signals
- ITU standard wavelength divisions: ITU-T 694.2
- Passive operation
- Compatible with all Series 5000 rack frames (2RU and 1RU)
- Occupies one card slot
- LC - PC connectors (singlemode)

FIBER OCM 5818

Passive Fiber



Backplane

18 Channel CWDM Optical MUX/DEMUX

Specifications

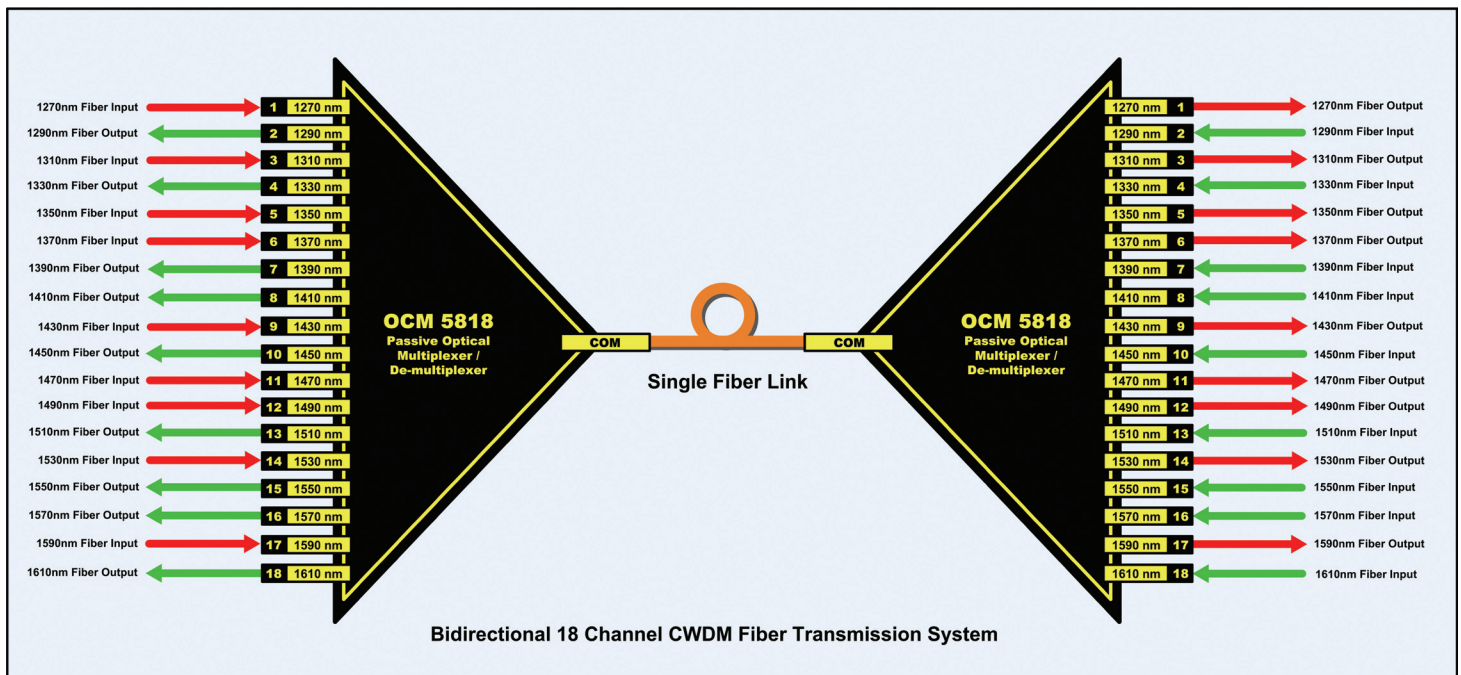
Optical I/O	
Optical I/O Ports	18 (Wavelength Specific)
Supported I/O Wavelengths (ITU-T G694.2)	1270nm, 1290nm, 1310nm, 1330nm, 1350nm, 1370nm, 390nm, 1410nm, 1430nm, 1450nm, 1470nm, 1490nm, 1510nm, 1530nm, 1550nm, 1570nm, 1590nm, 1610nm
COM Port	Common I/O port (Primary I/O with combined optical signals)
Connector Type	LC - PC (singlemode)
Performance	
Channel insertion loss	2.7dB typ.
Polarization dependant loss	max 0.2dB
Return Loss	> 45dB
Isolation (To adjacent channel)	> 30dB
Directivity	> 55dB
Temperature dependant loss	< 0.005 dB / °C
Temperature dependant change of wavelength	< 0.003 nm / °C
Max input power	500mw

Mechanical	
Size	85mm x 286mm (not incl. connectors)
Weight	190 g
Ambient	
Temperature	-20°C to 85°C Maintaining specifications
Humidity	90% Max non condensing

Specifications subject to change

Application

Two OCM 5818 modules used for a 18 channel bi-directional fiber transmission system.



Note: the mix of TX and RX channels in the bi-directional link is determined by the location of the transmitter and receiver modules. This can be any combination

Ordering Information

Model #	Part Number	Description	Includes
O CM 5818	1000005818	18 Channel CWDM Multiplexer / De-multiplexer	CardModule + Mounting Screws + Reference Manual (on CD)