



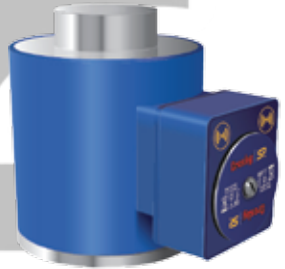
WNITC / NITC Compression Load Cells

- | | |
|---|---|
|  Operating instructions |  Руководство по эксплуатации |
|  Mode d'emploi |  οδηγίες χειρισμού |
|  Bedienungsanleitung |  Brukerinstruksjoner |
|  Manual de instrucciones |  Bruksanvisning |
|  Istruzioni per l'uso |  普通话 操作说明 |
|  Gebruikersinstructies |  العربية تعليمات التشغيل |

THIS MANUAL WAS WRITTEN IN THE ENGLISH LANGUAGE AND PROFESSIONALLY TRANSLATED TO ALL OTHER LANGUAGES CONTAINED WITHIN THIS DOCUMENT. PLEASE NOTE THAT STRAIGHTPOINT ACCEPT NO RESPONSIBILITY FOR ANY ERRORS OR OMISSIONS.

EU DECLARATION OF CONFORMITY

Product: Loadsafe Wireless Compression Load Cell WNI



Product Description: Wireless compression load cell 5t - 1000t. Compact size and environmentally sealed to IP67 or NEMA6.

Designed for use with Crosby Straightpoint's Handheld plus (HHP).

Bluetooth output.

Marking:

Manufacturer: Straightpoint (UK) Limited,
Unit 9, Dakota Park,
Downley Road,
Havant,
Hampshire,
PO9 2NJ, United Kingdom

This conformity is based upon compliance with the application of harmonized or applicable technical standards and, where applicable or required, a European Union Notified Body certification.

Directives: The described product above, is in conformity with:
EU Machinery Directive 2006/42/EC;
EU Radio Equipment Directive 2014/53/EU (RED Directive);
EU RoHS 2011/65/EU

Applicable Harmonised Standards: **EU Machinery Directive 2006/42/EC**

EN ISO 12100:2010 Safety of machinery - General principles for design – Risk assessment and risk reduction.

RED Directive

EN301 489-1 v2.2.3 (2019-11) ElectroMagnetic Compatibility (EMC) standard for radio equipment and services, Part 1: Common technical requirements;

EN301 489-3 v2.1.2 (2021-03) ElectroMagnetic Compatibility (EMC) standard for radio equipment and services, Part 3: Specific conditions for Short Range Devices (SRD) operating on frequencies between 9 kHz and 246 GHz;

EN301 489-17 v3.2.4 (2020-09) ElectroMagnetic Compatibility (EMC) standard for radio equipment and services, Part 17: Specific conditions for Broadband Data Transmission Systems;

BS EN 62368-1:2020+A11:2020 Audio/video, information and communication technology equipment. Safety requirements.

RoHS

EN IEC 63000:2018 Technical documentation for the assessment of electrical and electronic products with respect to the restriction of hazardous substances.

Notified Body: Self-declared.

Quality Management: ISO 9001:2015 Quality Management Systems Requirements: BSI Certificate No. FM 584438

Straightpoint (UK) Limited declare that under our sole responsibility for the manufacture and supply of the product detailed above, that it conforms to the essential health and safety requirements of the listed applicable Directives and applicable harmonised technical Standards.

EU Authorised Representative: CROSBY EUROPE
Industriepark Zone B N°26
B-2220 Heist-op-den-Berg
Belgium
Phone: +32 0 15 75 71 25
Email:

Signed, on behalf of Authorised Representative:

Name: Thomas Dietvorst
Position: General Manager
Date: October 20th 2021

EU DECLARATION OF CONFORMITY

Product: Compression Load Cell NI



Product Description: Compression load cell 5t - 1000t. Compact size and environmentally sealed to IP67 or NEMA6.
Requires connection to Crosby Straightpoint's Handheld plus (HHP) or External Amplifier range (SA-3420) that can be configured to provide outputs such as 4-20mA, 0-10v, 0-5v for PLC or data logger integration.
10m (30 feet) cable supplied as standard. Other lengths available

Marking:

Manufacturer: Straightpoint (UK) Limited,
Unit 9, Dakota Park,
Downley Road,
Havant,
Hampshire,
PO9 2NJ, United Kingdom

This conformity is based upon compliance with the application of harmonized or applicable technical standards and, where applicable or required, a European Union Notified Body certification.

Directives: The described product above, is in conformity with:
EU Machinery Directive 2006/42/EC;
EU EMC Directive 2014/30/EU
EU RoHS 2011/65/EU

Applicable Harmonised Standards: **EU Machinery Directive 2006/42/EC**

EN ISO 12100:2010 Safety of machinery - General principles for design – Risk assessment and risk reduction.

EMC Directive

BS EN 55011:2016+A11:2020 Industrial, scientific and medical equipment. Radio-frequency disturbance characteristics. Limits and methods of measurement;

EN 61326-1 Electrical equipment for measurement, control and laboratory use, EMC requirements, Part 1, General Requirements;

EN 61000-6-1 – Electromagnetic compatibility (EMC), Part 6.1, Generic Standards Immunity for residential, commercial and light industrial environments.

RoHS

EN IEC 63000:2018 Technical documentation for the assessment of electrical and electronic products with respect to the restriction of hazardous substances.

Notified Body: Self-declared.

Quality Management: ISO 9001:2015 Quality Management Systems Requirements: BSI Certificate No. FM 584438

Straightpoint (UK) Limited declare that under our sole responsibility for the manufacture and supply of the product detailed above, that it conforms to the essential health and safety requirements of the listed applicable Directives and applicable harmonised technical Standards.

EU Authorised Representative: CROSBY EUROPE
Industriepark Zone B N°26
B-2220 Heist-op-den-Berg
Belgium
Phone: +32 0 15 75 71 25
Email:

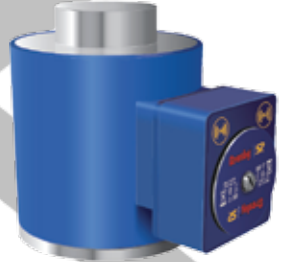
Signed, on behalf of Authorised Representative:



Name: Thomas Dietvorst
Position: General Manager
Date: October 20th 2021

DECLARATION OF CONFORMITY

Product: Loadsafe Wireless Compression Load Cell WNI



Product Description: Wireless compression load cell 5t - 1000t. Compact size and environmentally sealed to IP67 or NEMA6.

Designed for use with Crosby Straightpoint's Handheld plus (HHP).

Bluetooth output.

Marking:

Manufacturer: Straightpoint (UK) Limited,
Unit 9, Dakota Park,
Downley Road,
Havant,
Hampshire,
PO9 2NJ, United Kingdom

This conformity is based upon compliance with the application of UK Statutory Instruments (and their amendments) and/or applicable technical standards; and, where applicable, or required, UK Notified Body certification.

UK Regulations: The described product above, is in conformity with:
The Supply of Machinery (Safety) Regulations 2008;
The Radio Equipment Regulations 2017;
The RoHS Regulations 2012.

Applicable Designated Standards: **The Supply of Machinery (Safety) Regulations 2008**
EN ISO 12100:2010 Safety of machinery - General principles for design – Risk assessment and risk reduction.

The Radio Equipment Regulations 2017

EN301 489-1 v2.2.3 (2019:11) ElectroMagnetic Compatibility (EMC) standard for radio equipment and services, Part 1: Common technical requirements;

EN301 489-3 v2.1.2 (2021-03) ElectroMagnetic Compatibility (EMC) standard for radio equipment and services, Part 3: Specific conditions for Short Range Devices (SRD) operating on frequencies between 9 kHz and 246 GHz;

EN301 489-17 v3.2.4 (2020-09) ElectroMagnetic Compatibility (EMC) standard for radio equipment and services, Part 17: Specific conditions for Broadband Data Transmission Systems;

BS EN 62368-1:2020+A11:2020 Audio/video, information and communication technology equipment. Safety requirements.

RoHS

EN IEC 63000:2018 Technical documentation for the assessment of electrical and electronic products with respect to the restriction of hazardous substances.

UK Notified Body: Self-declared.

Quality Management: ISO 9001:2015 Quality Management Systems Requirements: BSI Certificate No. FM 584438

Straightpoint (UK) Limited declare that under our sole responsibility for the manufacture and supply of the product detailed above, that it conforms to the essential health and safety requirements of the listed applicable UK Regulations and applicable designated technical Standards.

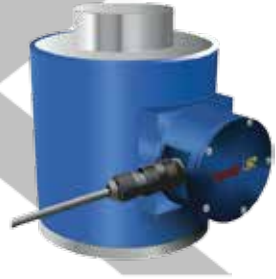
Technical Information Available From: Straightpoint (UK) Limited,
Unit 9, Dakota Park,
Downley Road,
Havant,
Hampshire,
PO9 2NJ, United Kingdom

Signed, on behalf of Straightpoint (UK) Limited:

Name: Thomas Dietvorst
Position: General Manager
Date: October 20th 2021

DECLARATION OF CONFORMITY

Product: Compression Load Cell NI



Product Description: Compression load cell 5t - 1000t. Compact size and environmentally sealed to IP67 or NEMA6.

Requires connection to Crosby Straightpoint's Handheld plus (HHP) or External Amplifier range (SA-3420) that can be configured to provide outputs such as 4-20mA, 0-10v, 0-5v for PLC or data logger integration.

10m (30 feet) cable supplied as standard. Other lengths available.

Marking:

Manufacturer: Straightpoint (UK) Limited,
Unit 9, Dakota Park,
Downley Road,
Havant,
Hampshire,
PO9 2NJ, United Kingdom

This conformity is based upon compliance with the application of UK Statutory Instruments (and their amendments) and/or applicable technical standards; and, where applicable, or required, UK Notified Body certification.

UK Regulations: The described product above, is in conformity with:
The Supply of Machinery (Safety) Regulations 2008;
The Electromagnetic Compatibility Regulations 2016;
The RoHS Regulations 2012.

Applicable Designated Standards: **The Supply of Machinery (Safety) Regulations 2008**

EN ISO 12100:2010 Safety of machinery - General principles for design – Risk assessment and risk reduction.

The Electromagnetic Compatibility Regulations 2016

BS EN 55011:2016+A11:2020 Industrial, scientific and medical equipment. Radio-frequency disturbance characteristics. Limits and methods of measurement;

EN 61326-1:2013 Electrical equipment for measurement, control and laboratory use, EMC requirements, Part 1, General Requirements;

EN 61000-6- EN 61000-6-1:2019 – Electromagnetic compatibility (EMC), Part 6.1, Generic Standards Immunity for residential, commercial and light industrial environments.

The RoHS Regulations 2012

EN IEC 63000:2018 Technical documentation for the assessment of electrical and electronic products with respect to the restriction of hazardous substances.

UK Notified Body: Self-declared.

Quality Management: ISO 9001:2015 Quality Management Systems Requirements: BSI Certificate No. FM 584438

Straightpoint (UK) Limited declare that under our sole responsibility for the manufacture and supply of the product detailed above, that it conforms to the essential health and safety requirements of the listed applicable UK Regulations and applicable designated technical Standards.

Technical Documentation Available From: Straightpoint (UK) Limited,
Unit 9, Dakota Park,
Downley Road,
Havant,
Hampshire,
PO9 2NJ, United Kingdom

Signed, on behalf of Straightpoint (UK) Limited:

Name: Thomas Dietvorst
Position: General Manager
Date: October 20th 2021

General description and warnings	01-04
WNITC fitting batteries	05-06
WNITC positioning	07
Connecting the NITC	08
Using a compression load cell	09
Product aftercare	10-11
Service and calibration	12
Warranty	13



All products manufactured and sold by Straightpoint Ltd, are sold with the express understanding that the purchaser and user are thoroughly familiar with the safe use, proper care and application of the product.
 Responsibility for the safe use, proper care and application of the product rests with the user.
 Failure of the product can occur due to misapplication, abuse, overloading, or improper care and maintenance.
 There are numerous government and industry standards that cover products manufactured and sold by Straightpoint Ltd. This document makes no attempt to reference all of them. We do reference standards that are most current like ASME B30.26-2010 "detachable load indicating devices."
 Ratings shown in Straightpoint Ltd literature are only applicable to new or "as new condition" products.
 Rated capacities define the greatest force or load a product can carry under usual or normal environmental conditions. Shock loading and extraordinary conditions must be taken into account when selecting products and product capacity.
 Some of the products in the Straightpoint Ltd catalogues are designed for use with rigging hardware and components which could be supplied from several different manufacturers. It is crucial that you read and understand the literature from these manufacturers, as well as governmental standards and industry technical manuals.
 The rated capacity, design factor and efficiency rating of each Straightpoint Ltd product may be affected by wear, misuse, overloading, corrosion, deformation, intentional alteration, age and other use conditions.
 The recommended proof load on all items manufactured and sold by Straightpoint Ltd is twice the working load limit (WLL), unless otherwise shown. Proof testing is included on all Straightpoint Ltd load indicating products.



Tous les produits fabriqués et vendus par Straightpoint Ltd sont vendus à la condition expresse que l'acheteur et l'utilisateur soient parfaitement familiarisés avec l'utilisation sécuritaire, les soins appropriés et l'application du produit. La responsabilité de l'utilisation sécuritaire, des soins appropriés et de l'application du produit incombe à l'utilisateur. Une défaillance du produit peut être due à une mauvaise utilisation, un abus, une surcharge ou à un mauvais entretien ou maintenance. Il existe de nombreuses normes gouvernementales et industrielles qui couvrent les produits fabriqués et vendus par Straightpoint Ltd. Ce document ne fait pas référence à l'ensemble d'entre elles. Nous référons aux normes de référence qui sont les plus courantes comme ASME B30.26-2010 "appareil indiquant une charge."
 Les notes indiquées dans les documentations émises par Straightpoint Ltd sont seulement applicables aux nouveaux produits ou en tant que nouvelle condition. Les capacités nominales définissent la force ou charge maximale que le produit peut supporter dans des conditions d'utilisation environnementales normales. Tout risque de secousse au chargement ou toute condition d'utilisation extraordinaire doivent être pris en compte lors de la sélection des produits et de la capacité du produit. Certains produits des catalogues Straightpoint Ltd catalogues sont conçus pour une utilisation avec des accessoires de montage et des composants qui pourraient être fournis par différents fabricants. Il est essentiel que vous lisiez et compreniez la documentation de ces fabricants, ainsi que des normes gouvernementales et les manuels techniques de l'industrie.
 La capacité nominale, la conception et l'efficacité des facteurs de chaque produit fourni par Ltd Straightpoint, pourraient être affectées par l'usure, la mauvaise utilisation, surcharge, corrosion, déformation, altération intentionnelle, l'âge et autres conditions d'utilisation. La charge d'épreuve recommandée pour tous les articles fabriqués et vendus par Straightpoint Ltd est le double de la charge maximale d'utilisation (CMU), sauf indication contraire. La charge d'épreuve se retrouve sur tous les produits de la gamme Straightpoint Ltd.



Alle durch Straightpoint Ltd hergestellten und vertriebenen Produkte werden in dem ausdrücklichen Verständnis verkauft, dass Käufer und Nutzer vollständig mit der sicheren Nutzung als auch der sachgemäßen Behandlung und Anwendung des Produktes vertraut sind. Die Verantwortung für die sichere Nutzung als auch die sachgemäße Behandlung und Anwendung des Produktes liegt bei dem Nutzer.
 Als Folge von unsachgemäßer Anwendung, Behandlung und Instandhaltung oder Überbelastung kann Produktversagen auftreten. Es gibt zahlreiche staatliche- und Industriennormen, die durch Straightpoint Ltd hergestellte und vertriebene Produkte betreffen. In diesem Dokument wird nicht der Versuch unternommen, auf jede dieser Normen zu verweisen, lediglich die gängigsten wie ASME B30.26-2010 „abnehmbare Geräte zur Lastanzeige“ werden erwähnt. In Prospekten von Straightpoint Ltd angegebene Leistungsangaben gelten nur für neue oder „im Neuzustand befindliche“ Produkte.
 Die Tragfähigkeit bestimmt die maximale Belastung eines Produktes unter normalen Umgebungsbedingungen. Bei der Auswahl der Produkte und ihrer Belastbarkeit sind Schockbelastung und außergewöhnliche Umstände zu berücksichtigen.
 Einige der Produkte in den Katalogen von Straightpoint Ltd sind für die Nutzung mit Spannungsequipment- und elementen entwickelt, die von mehreren verschiedenen Herstellern bereitgestellt sein könnten. Es ist äußerst wichtig, dass sie die Anleitungen dieser Hersteller lesen und verstehen, ebenso wie die entsprechenden staatliche Normen und technischen Handbücher.
 Die Tragfähigkeit, der Berechnungsbeiwert und der Gütegrad eines jeden Produktes von Straightpoint Ltd können durch Verschleiß, falsche Anwendung, Überbelastung, Korrosion, Verformung, absichtliche Umänderung, Lebensdauer und andere Anwendungsumstände beeinflusst werden.
 Die empfohlene Prüflast für alle von Straightpoint Ltd hergestellten und vertriebenen Posten entspricht dem Doppelten der zulässigen Tragfähigkeit, sofern nicht anders ausgewiesen. Bei allen Lastanzeige-Produkten von Straightpoint Ltd sind Prüftests inbegriffen.



General description and warnings

v1.00
 Part No:
 SU3342





Todos los productos que fabrica y vende Straightpoint Ltd se venden sabiendo explícitamente que el comprador y el usuario son plenamente conscientes de utilizar el producto de forma segura, cuidarlo y emplearlo.

El usuario es responsable de utilizarlo de forma segura, cuidarlo y emplearlo.

El mal funcionamiento del producto puede deberse a un uso indebido, abuso, sobrecarga, o cuidado y mantenimiento inadecuados. Hay múltiples estándares gubernamentales e industriales que incluyen los productos que fabrica y vende Straightpoint Ltd. En este documento no se pretende citar todos ellos. Si citamos estándares muy actuales como el ASME B30.26-2010 "dispositivos indicadores de carga desmontables."

Las valoraciones que aparecen en las publicaciones de Straightpoint Ltd solo se aplican a productos nuevos o "como nuevos".

Las capacidades valoradas definen la fuerza mayor o la carga que un producto puede soportar en condiciones ambientales normales. Se deben tener en cuenta las cargas de choque y las condiciones extraordinarias al seleccionar los productos y la capacidad de los mismos.

Algunos de los productos de los catálogos de Straightpoint Ltd están diseñados para su uso con hardware adicional y componentes que pueden facilitar distintos fabricantes. Es fundamental que lea y entienda las publicaciones de estos fabricantes, así como los estándares gubernamentales y los manuales técnicos de la industria.

La capacidad valorada, el diseño y el índice de eficiencia de los productos de Straightpoint Ltd puede verse afectado por el desgaste, un uso indebido, una sobrecarga, la corrosión, una deformación, una alteración intencionada, la edad y otras condiciones de uso.

La carga de prueba recomendada en todos los productos que fabrica y vende Straightpoint Ltd es dos veces el límite de carga de trabajo (WLL, según sus siglas en inglés) a menos que se indique lo contrario. Los ensayos están incluidos en todos los productos indicadores de carga de Straightpoint Ltd.



Tutti i prodotti fabbricati e venduti da Straightpoint Ltd, sono venduti con la condizione espressa che l'acquirente e l'utilizzatore abbiano molta familiarità con l'uso sicuro, la cura e l'applicazione del prodotto.

La responsabilità per l'uso sicuro, la cura e l'applicazione del prodotto spetta all'utente.

Problemi al prodotto possono verificarsi a causa di cattiva applicazione, abuso, sovraccarico, o mancanza di cura e manutenzione. Numerose sono le norme governative e di settore che coprono i prodotti fabbricati e venduti da Straightpoint Ltd. Il presente documento non fa riferimento a tutte le suddette; facciamo riferimento a standard più attuali come ASME B30.26-2010 "dispositivi che indicano carico removibile."

Valutazioni riportate relative a Straightpoint Ltd sono solo applicabili ai prodotti nuovi o in condizioni "come nuovi".

Le capacità riportate definiscono la forza o il carico più grande che un prodotto può trasportare in condizioni ambientali normali o solite. Condizioni straordinarie di carico devono essere prese in considerazione nel selezionare prodotti e capacità del prodotto.

Alcuni dei prodotti nei cataloghi Straightpoint Ltd sono progettati per l'uso per mezzo di accessori e componenti che potrebbero essere forniti da diversi produttori diversi. È fondamentale leggere e comprendere la documentazione di questi produttori, così come le norme governative ed i manuali tecnici del settore.

La valutazione della capacità nominale, fattore di sicurezza e di efficienza di ogni prodotto Straightpoint Ltd può essere influenzata da usura, uso improprio, sovraccarico, corrosione, deformazione, modifiche intenzionali, età e altre condizioni di utilizzo. Il carico di prova consigliato su tutti gli articoli prodotti e venduti da Straightpoint Ltd è il doppio del limite di carico di lavoro (WLL), se non diversamente indicato. Il test di prova è incluso su tutti i prodotti Straightpoint Ltd che indicano carico.



Alle producten die door Straightpoint Ltd zijn geproduceerd en verkocht, worden met het uitdrukkelijke begrip verkocht dat de koper en gebruiker zeer vertrouwd zijn met veilig gebruik, goede zorg en toepassing van het product. De verantwoordelijkheid voor veilig gebruik, goede zorg en toepassing van het product ligt bij de gebruiker.

Defecten van het product kunnen worden veroorzaakt door een verkeerde toepassing, misbruik, overbelasting of onjuiste zorg en onderhoud van het product.

Er zijn verschillende maatstaven van overheidswege en uit de industrie die betrekking hebben op producten geproduceerd en verkocht door Straightpoint Ltd. Dit document bevat geen verwijzing naar al deze maatstaven. We verwijzen naar maatstaven die het meest van toepassing zijn, zoals de ASME B30.26-2010 "afneembare belasting aanwijsapparatuur". Kwalificaties als aangegeven in naslagwerken van Straightpoint Ltd of Straightpoint Inc. zijn slechts van toepassing op nieuwe producten of producten die "zo goed als nieuw" zijn.

Nominale capaciteiten bepalen de grootste kracht of lasten die dit product kan dragen onder gebruikelijke of normale omgevingsomstandigheden. U dient tijdens het selecteren van producten en productcapaciteit rekening te houden met schokbelasting en buitengewone omstandigheden.

Enkele producten uit de catalogi van Straightpoint Ltd zijn ontworpen voor gebruik met tuigageapparatuur en –onderdelen, welke door verschillende producenten geleverd kunnen worden. Het is van cruciaal belang om de naslagwerken van deze producenten goed door te lezen en te begrijpen, evenals alle maatstaven van overheidswege en technische handleidingen uit de industrie.

De nominale capaciteit, ontwerpfactor en efficiëntie van elk product van Straightpoint Ltd kan worden beïnvloed door slijtage, misbruik, overbelasting, corrosie, misvorming, bewuste aanpassing, levensduur en andere gebruiksomstandigheden.

De aanbevolen proeflast voor alle artikelen geproduceerd en verkocht door Straightpoint Ltd is tweemaal de drempelwaarde voor de werklust (WLL), tenzij anderszins aangegeven. De proeflast is inbegrepen bij alle lastweegtoestellen van Straightpoint Ltd.



Вся продукция компаний Straightpoint Ltd продается с учетом того, что покупатель и пользователь хорошо знакомы с правилами безопасной эксплуатации и правильного ухода. Ответственность за безопасную эксплуатацию и надлежащий уход за приобретенными изделиями возлагается на пользователя.

Поломка изделия может произойти вследствие его неправильной эксплуатации, перегрузки или неправильного ухода и обслуживания.

Продукция компаний Straightpoint Ltd изготовлена в соответствии с множеством государственных и промышленных стандартов. В настоящем документе имеются ссылки только на некоторые (наиболее актуальные) из них, например: ASME B30.26-2010 «съемные устройства для взвешивания».

Характеристики, приведенные в документации компаний Straightpoint Ltd, применимы только к новым изделиям или изделиям, по состоянию сопоставимым с новыми.

Номинальная грузоподъемность представляет собой наибольшую силу или нагрузку, которую может выдержать изделие в обычных или нормальных условиях. При выборе изделий и их производительности следует учитывать возможные ударные нагрузки и чрезвычайные условия.

Некоторые из изделий в каталогах компаний Straightpoint Ltd предназначены для использования на такелажном оборудовании и элементах, которые могут поставляться различными производителями. Очень важно прочитать и понять содержание документации к такому оборудованию, а также государственных стандартов и технических руководств для промышленного оборудования.

На номинальную грузоподъемность, расчетный коэффициент и показатель эффективности каждого изделия компаний Straightpoint Ltd может воздействовать износ, неправильное использование, перегрузки, коррозия, деформация, преднамеренная модификация, старение и другие условия эксплуатации.

Рекомендуемая допустимая нагрузка на все изделия компаний Straightpoint Ltd в два раза превышает предельно допустимую нагрузку (ПДН), если не указано иное. Все изделия Straightpoint Ltd для взвешивания прошли контрольные испытания.



Όλα τα προϊόντα που κατασκευάζονται και πωλούνται από τις Straightpoint Ltd, πωλούνται με τη ρητή επιφύλαξη ότι ο αγοραστής και ο χρήστης είναι πλήρως εξοικειωμένοι με την ασφαλή χρήση, την κατάλληλη φροντίδα και την εφαρμογή του προϊόντος.

Η ευθύνη για την ασφαλή χρήση, την κατάλληλη φροντίδα και την εφαρμογή του προϊόντος επιβαρύνει το χρήστη.

Απουχία του προϊόντος μπορεί να οφείλεται στην κακή εφαρμογή, κακοποίηση, υπερφόρτωση ή ακατάλληλη φροντίδα και συντήρηση.

Υπάρχουν πολλά κυβερνητικά και βιομηχανικά πρότυπα που καλύπτουν τα προϊόντα που κατασκευάζονται και πωλούνται από τις Straightpoint Ltd. Το παρόν έγγραφο δεν κάνει καμία προσπάθεια να τα αναφέρει όλα. Γίνεται αναφορά στα πλέον πρόσφατα πρότυπα, όπως το ASME B30.26-2010 "υσκευές ένδειξης αποσπώμενου φορτίου".

Βαθμολογίες που παρουσιάζονται στη βιβλιογραφία των Straightpoint Ltd, ισχύουν μόνο για νέα προϊόντα ή προϊόντα «σαν καινούρια». Οι ονομαστικές ικανότητες καθορίζουν τη μεγαλύτερη δύναμη ή φορτίο που μπορεί να μεταφέρει ένα προϊόν υπό συνθήκες ή κανονικές περιβαλλοντικές συνθήκες. Πρέπει να λαμβάνονται υπόψη περιπτώσεις υπερβολικού φορτίου και εξαιρετικών συνθηκών κατά την επιλογή προϊόντων και χωρητικότητας προϊόντων.

Ορισμένα από τα προϊόντα στους καταλόγους των Straightpoint Ltd είναι σχεδιασμένα για χρήση με εξοπλισμό εξάρτησης και στατικά που μπορεί να προσφέρονται από διάφορους άλλους κατασκευαστές. Είναι σημαντικό να διαβάσετε και κατανοήσετε τη βιβλιογραφία που προσφέρουν αυτοί οι κατασκευαστές, καθώς και τα κυβερνητικά πρότυπα και βιομηχανικά τεχνικά εγχειρίδια.

Η ονομαστική χωρητικότητα, ο συντελεστής σχεδιασμού και η ονομαστική τιμή αποτελεσματικότητας κάθε προϊόντων των Straightpoint Ltd μπορεί να επηρεαστούν από παράγοντες όπως φορτά, κακή χρήση, υπερφόρτωση, διάβρωση, παραμόρφωση, εκτεταμένη αλλοίωση, ηλικία και άλλες συνθήκες χρήσης.

Το συνιστάμενο φορτίο απόδειξης για όλα τα στοιχεία που κατασκευάζονται και πωλούνται από τις Straightpoint Ltd είναι διπλάσιο του ορίου φορτίου εργασίας (WLL), εκτός αν ορίζεται διαφορετικά. Αποτελέσματα δοκιμαστικού ελέγχου περιλαμβάνονται σε όλα τα προϊόντα ένδειξης φορτίου των Straightpoint Ltd.



Alle produkter produceret og solgt af Straightpoint Ltd, er solgt med den utrykkelige forståelsen at kjøperen og brukeren er godt kjent med trygg bruk, riktig behandling og bruk av produktet.

Ansvar for trygg bruk, riktig behandling og bruk av produktet hviler på brukeren.

Produktsvikt kan oppstå på grunn av misbruk, feilaktig bruk, overbelastning, eller feilaktig behandling og vedlikehold.

Det finnes flertallige statlige og industristandarder som dekker produkter produsert og solgt av Straightpoint Ltd. Dette dokumentet har ikke som hensikt å henvisе til dem alle. Vi henviser til standarder som er mest oppdaterte slik som ASME B30.26-2010 "avtakbar last indiserende utstyr."

Klassifiseringer vist i Straightpoint Ltd litteratur gjelder kun nye eller produkter i "som ny tilstand".

Klassifiserte kapasiteter definerer det største trykket eller belastningen et produkt kan bære under vanlige eller normale miljømessige betingelser. Slagbelastning eller ekstraordinære betingelser må tas i betraktning ved valg av produkter og produktkapasitet.

Noen av produktene i Straightpoint Ltd katalogene er designet for bruk med rigging hardware og komponenter som kan leveres fra flere forskjellige produsenter. Det er viktig at du leser og forstår litteraturen fra disse produsentene, så vel som statlige standarder og industritekniske håndbøker.

Den klassifiserte kapasiteten, designfaktoren og effektivitetsgraden av hvert Straightpoint Ltd produkt kan være påvirket av slitasje, misbruk, overbelastning, korrosjon, deformering, tilsiktet alterasjon, alder og andre bruksbetingelser.

Den anbefalte prøvbelastningen på alle elementene produsert og solgt av Straightpoint Ltd, er to ganger arbeidsbelastningsgrensen (WLL) (ABG), om ikke annet er vist. Prøvebelastning er inkludert på alle Straightpoint Ltd lastindiserende produkter.



Alla produkter som tillverkas och säljs av Straightpoint Ltd säljs med uttryckliga hänvisningar om att köparen och användaren har god kännedom om säker användning, skötsel och tillämpningen av produkten. För säker användning, skötsel och tillämpningen av produkten ansvarar användaren.

Felaktig användning, missbruk, överbelastning eller felaktig skötsel och underhåll kan leda till att produkten fördäras.

Det finns många statliga standarder och branschstandarder som omfattar produkterna som tillverkas och säljs av Straightpoint Ltd. Detta dokument försöker inte referera till dem alla. Vi refererar till den lämpligaste standarden ASME B30.26-2010 för "löstagbara och belastningsindikerande enheter". Värden som anges i litteratur från Straightpoint Ltd gäller endast nya produkter eller produkter i "nyskick".

Den nominella kapaciteten definierar den största kraften eller lasten en produkt kan bära under vanliga och normala miljöförhållanden. Chockbelastning och exceptionella förhållanden måste beaktas vid val av produkter och produktkapacitet.

Några av produkterna som visas i katalogerna från Straightpoint Ltd är utformade för användning med rigghårdvara och komponenter som kan levereras från flera olika tillverkare. Det är viktigt att du läser och förstår litteraturen från dessa tillverkare samt statliga standarder och industritekniska handböcker.

Den nominella kapaciteten, utformningsfaktorn och verkningsgraden för varje produkt från Straightpoint Ltd kan påverkas av slitage, missbruk, överbelastning, korrosion, avsiktlig förändring, ålder och annan användning. Den rekommenderade provbelastningen på alla enheter som tillverkas och säljs av Straightpoint Ltd är dubbelt så stor som den maximala arbetslasten, om inte annat anges. Provtestning görs på alla belastningsindikerade produkter från Straightpoint Ltd.

普通话

由“速得有限公司”（Straightpoint Ltd）制造和销售的所有产品，销售时都要求明确确认，产品的购买方和使用方完全熟悉产品的安全使用、恰当维护及正确应用。产品使用方有责任安全使用、恰当维护和正确应用本产品。

不恰当地应用、滥用、超负荷使用产品，或者产品的维护保养方式不正确，都可能导致产品功能失效。

速得有限公司制造和销售的产品所适用的政府和行业标准虽然很多，但本使用手册只引用了那些最新的规范和标准（如美国机械工程师协会 ASME B30.26-2010 可拆卸式负荷指示设备标准），并未参照所有这些相关标准。

速得有限公司的产品手册和资料中列出的设备额定载荷，仅适用于新产品或性能无异于全新状态的已用产品。

额定载荷能力是指在常规或正常环境条件下产品或设备所能承载的最大外力或负荷。在选择产品类型及其载荷能力水平时，必须考虑冲击载荷及一些极端的应用状况。

速得产品目录中的一些产品，在设计上要求与吊索具和辅件等部件配合使用，而这些部件可能由其他制造商生产。因此，客户应当认真阅读并理解这些制造商提供的产品资料以及政府相应标准和行业技术规范。这一点非常重要。

所有速得公司制造和销售的产品，其额定载荷能力、设计系数（安全系数）和效率级别可能会受到诸多因素的影响，包括设备磨损、错误使用、过载、腐蚀、变形、人为构造改变、老化以及其他一些使用状况。

除非另有说明，对于所有由速得公司制造和销售的产品，建议的验证载荷为产品最大工作载荷（WLL）的两（2）倍。速得公司制造的所有负荷指示产品，在出售前都要经过载荷验证测试。

العربية

جميع المنتجات المصنوعة والمباعة من شركتي Straightpoint Ltd. تُباع بفهم واضح بأن المشتري والمستخدم على دراية كبيرة بالاستخدام الآمن للمنتج والحماية الملائمة به وباستعماله.

يتحمل المستخدم مسؤولية الاستخدام الآمن والحماية الملائمة والاستعمال.

قد يفسد المنتج بسبب سوء الاستعمال وسوء الاستخدام والحمولة الزائدة والعناية والصيانة غير الملائمتين.

هناك الكثير من المعايير الحكومية والصناعية التي تغطي المنتجات المصنوعة والمباعة من Straightpoint Ltd. لا تسعى هذه الوثيقة على الإطلاق للإشارة إلى جميع هذه المعايير. لكننا نشير إلى المعايير السائدة في الوقت الحالي مثل ASME B30.26-2010 "أجهزة بيان الحمولة القابلة للفصل".

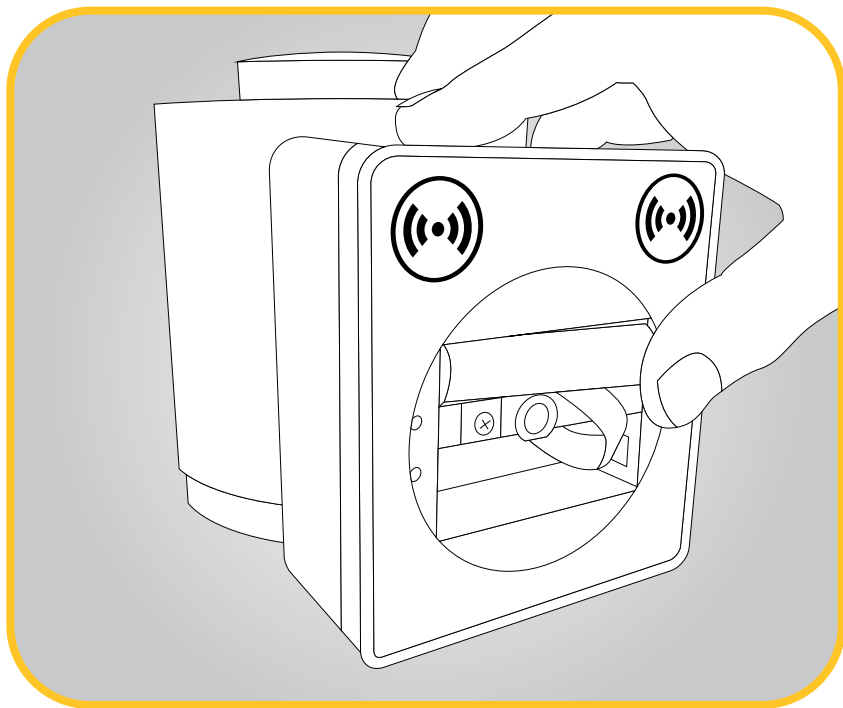
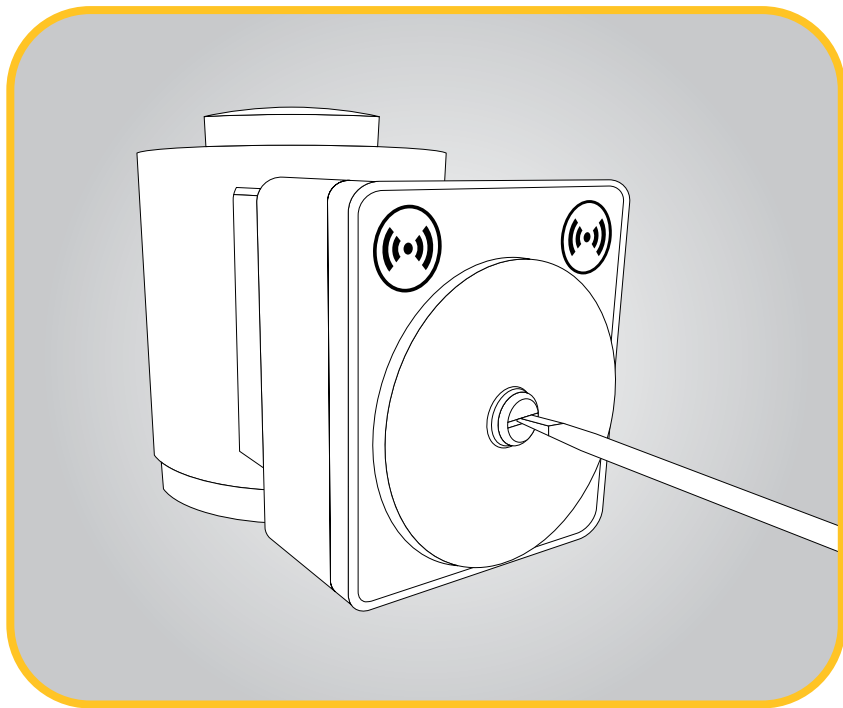
تطبيق القيم المشار إليها في مستندات Straightpoint Ltd. على المنتجات الجديدة أو التي هي "بحالة الجديدة".

السمعات المقطرة تحدد أكبر قوة أو حمولة يمكن للمنتج حملها في ظل الظروف البيئية المعتادة أو العادية. يجب وضع التحميل الفجائي والظروف الاستثنائية في الاعتبار عند اختيار المنتج وسعته.

بعض المنتجات المبنية في كتالوجات Straightpoint Ltd مصممة للاستخدام مع معدات ومكونات رفع يمكن الحصول عليها من مصنعين مختلفين. من الأهمية بمكان أن تقرأ المستندات الواردة من هؤلاء المصنعين وتقميها بالإضافة إلى المعايير الحكومية والأدلة الفنية في الصناعة.

قد تتأثر السعة المقطرة وعامل تصميم وتقدير سعة كل منتج من منتجات Straightpoint Ltd. بالبيانات الناتجة عن الاستخدام وسوء الاستعمال والحمولة الزائدة والصدا والتشوّه والتغير المتعمد والممر وظروف الاستخدام الأخرى.

يُقدر حمل الصمود الموصى به في كل المنتجات المصنوعة والمباعة من قبل Straightpoint Ltd. بضعف حد حمل العمل ما لم يتم الإشارة إلى خلاف ذلك. خضعت جميع منتجات بيان الحمولة التي تنتجها Straightpoint Ltd. لاختبارات الصمود.



WNITC fitting batteries

v1.00
Part No:
SU3342

Before using the loadcell the 4 x AA batteries supplied should be fitted.
To fit the batteries remove the single screw retaining the side cover plate as shown below.
Fit the batteries and then replace the cover plate.

Pay attention that the batteries are fitted correctly as shown on the label.



Avant d'utiliser la cellule de charge, il est nécessaire d'installer les piles 4xAA fournies.
Pour installer les piles, retirez la vis retenant la plaque latérale comme indiqué ci-dessous.
Installez les piles, puis remplacez la plaque latérale.

Veillez à ce que les piles soient installées correctement comme indiqué sur l'étiquette.



Bevor Sie die Kraftmesszelle nutzen, sind die mitgelieferten 4 x AA-Batterien einzulegen. Entfernen Sie wie unten gezeigt die einzelne Schraube, die die seitliche Abdeckplatte fixiert, um die Batterien einzulegen.
Legen Sie die Batterien ein und bringen Sie die Abdeckplatte wieder an.

Achten Sie darauf, dass die Batterien wie auf dem Hinweisschild gezeigt korrekt eingelegt sind.



Antes de utilizar la celda de carga asegúrese de introducir las 4 pilas AA incluidas.
Para colocar las baterías, retire el tornillo que sujeta la placa lateral según se muestra a continuación.
Introduzca las pilas y a continuación ponga de nuevo la placa.

Asegúrese de que introduce las pilas correctamente, tal y como aparece en la etiqueta.



Prima di utilizzare la cella di carico è opportuno inserire le 4 batterie AA fornite.
Per installare le batterie rimuovere l'unica vite che chiude il coperchio laterale come mostrato qui sotto.
Installare le batterie e poi richiudere il coperchio.

Si prega di prestare attenzione ad un'installazione corretta delle batterie come mostrato sulla linguetta.



Vooraleer u de laadcel gebruikt, dient u 4 x AA batterijen te plaatsen. Verwijder de schroef van het afdekplaatje aan de zijkant om de batterijen te plaatsen (zie onderstaande afbeelding). Plaats de batterijen en plaats vervolgens het batterijklepje terug.

Let op dat de batterijen juist zijn geplaatst, zoals op het etiket getoond.



Перед использованием датчика вставьте в него 4 батареи типа «AA», входящие в комплект.
Чтобы установить батареи, выкрутите винт и снимите боковую крышку, как показано ниже.
Вставьте батареи и установите крышку на место.

Соблюдайте полярность батарей, показанную на табличке.



Πριν χρησιμοποιήσετε το δυναμόμετρο πρέπει να τοποθετήσετε τις 4 μπαταρίες AA που παρέχονται.
Για να τοποθετήσετε τις μπαταρίες αφαιρέστε τη βίδα που συγκρατεί την πλάκα του πλευρικού καλύμματος όπως φαίνεται παρακάτω. Τοποθετήστε τις μπαταρίες και στη συνέχεια αντικαταστήστε το κάλυμμα.

Προσέξτε για την ορθή τοποθέτηση των μπαταριών όπως φαίνεται στην ετικέτα.



Før du bruker lastecellen må de 4 AA-batteriene som medfølger installeres. Før å passe batteriene, fjern den ene skruen samtidig med å beholde sidedekselet som vist nedenfor. Sett inn batteriene og sett på plass dekselplaten.
Vær oppmerksom på at batteriene er satt korrekt på plass som vist på etiketten.



Innan man använder lastcellen bör de medföljande 4 x AA-batterierna monteras.
Avlägsna skruven på sidotäckplattan enligt illustrationen nedan för att sätta in batterierna.
Sätt i batterierna och sätt sedan tillbaka täckplattan.

Se till att batterierna är korrekt monterade enligt vad som visas på märkningarna.



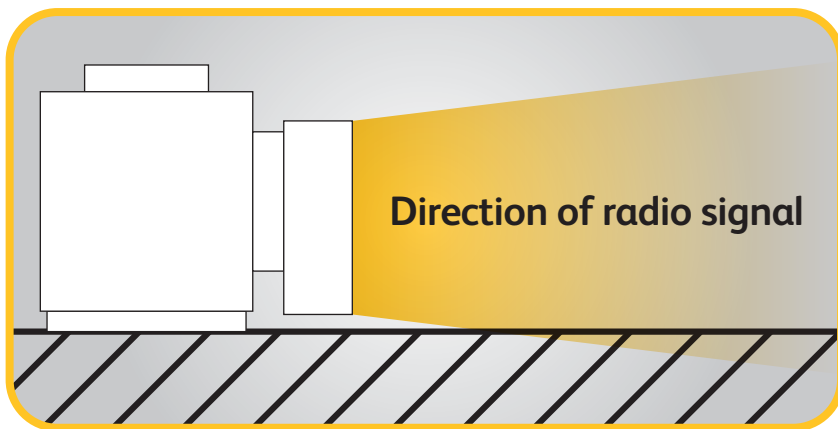
使用该称重传感器前，应装上附带的两节 AA 电池。
要安装电池，如下图所示，拆下固定侧盖板的那颗螺钉。
装上电池，然后盖好盖板。

注意要按照标签中的指示正确安装电池。

普通话

قبل استخدام خلية الحمل، يجب تركيب البطاريتين AA المزودتين مع الجهاز. لتركيب البطاريتين، فك البراغي الأربعة التي تمسك لوح الغطاء الجانبية كما هو مبين أدناه. ركب البطاريات واستبدل لوح الغطاء. يرجى ملاحظة أن انتبه للتأكد من تركيب البطاريتين بصورة صحيحة كما هو موضح بالملصق

العربية



When positioning the WNITC it is important to ensure that the loadcell is positioned correctly in relationship to where the receiving device is located. Note the direction of wireless signal on diagram above.



Lorsque vous positionnez le WNITC, il est important de vérifier que la cellule de charge soit installée correctement par rapport au dispositif de réception. Notez la direction du signal sans fil sur le schéma ci-dessus.



Es ist wichtig, bei der Positionierung des WNITC dafür zu sorgen, dass die Kraftmesszelle in Bezug auf den Standort des empfangenden Geräts korrekt positioniert ist. Beachten Sie in obigem Schaubild die Richtung des Funksignals.



Al colocar el WNITC debe asegurarse de que la celda de carga esté colocada correctamente en relación con el lugar en el que se encuentra el dispositivo de recepción. Tenga en cuenta la dirección de la señal inalámbrica que aparece en el diagrama anterior.



Nel posizionare la WNITC è importante assicurarsi che la cella di carico sia posizionata correttamente in relazione a dove si trova il dispositivo di ricezione. Da notare la direzione del segnale wireless sul diagramma qui sopra.



Wanneer u de WNITC plaatst, is het belangrijk om ervoor te zorgen dat de laadcel juist is gepositioneerd overeenkomstig met waar het ontvangende apparaat zich bevindt. Houd rekening met de richting van het draadloze signaal, zoals weergegeven op de bovenstaande tekening.



При установке датчика WNITC важно обеспечить его правильное положение относительно приемного устройства. На рисунке выше показано направление радиосигнала.



Κατά την τοποθέτηση του WNITC είναι σημαντικό να εξασφαλίσετε ότι το δυναμόμετρο είναι σωστά τοποθετημένο σε σχέση με την τοποθεσία της συσκευής λήψης.
Δείτε την κατεύθυνση του ασύρματου σήματος στο παραπάνω διάγραμμα.



Når du posisjonerer WNITC er det viktig å sikre at lastecellen er plassert korrekt i forhold til hvor mottakerenheten befinner seg. Merk deg retningen til det trådløse signalet i diagrammet ovenfor.



Vi positionering av WNITC är det viktigt att säkerställa att lastcellen är positionerad korrekt i relation till mottagningsenhetens placering. Observera riktningen för den trådlösa signalen i diagrammet ovan.



安放 WNITC 时，务必要将该称重传感器相对于信号接收设备放置在正确位置。
请注意上图中无线信号的方向。

普通话

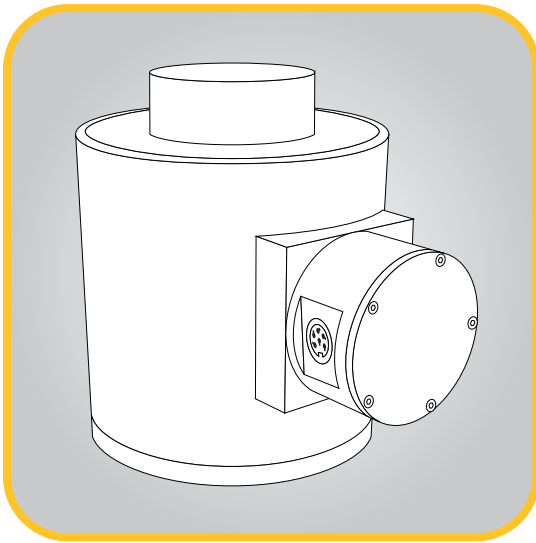
عند وضع WNITC ، من المهم التأكد أن خلية الحمل موضوعة في مكان ملائم موضع جهاز الاستقبال. لاحظ اتجاه إشارة اللاسلكي في المخطط أعلاه.

العربية

WNITC positioning

v1.00
Part No:
SU3342

07



Connect the loadcell using the cable supplied to the instrumentation that is calibrated to the loadcell.
 If using the Straightpoint Handheld Plus, the full operating instructions for this is detailed in manual SU3343.



Connectez la cellule de charge, en utilisant le câble fourni, vers l'instrumentation qui est calibrée vers la cellule de charge. Si vous utilisez un Straightpoint Handheld Plus, son guide d'utilisation complet est détaillé dans le manuel SU3343.



Verbinden Sie die Kraftmesszelle mithilfe des mitgelieferten Kabels mit der Messausrüstung, die mit der Kraftmesszelle abgestimmt ist. Die vollständige Bedienungsanleitung für das Straightpoint Handheld Plus findet sich in Handbuch SU3343.



Conecte la celda de carga utilizando el cable que se facilita con los instrumentos, que se calibra para la celda de carga. Si utiliza Straightpoint Handheld Plus, recuerde que sus instrucciones de uso completas se encuentran en el manual SU3343.



Connettere la cella di carico, utilizzando il cavo fornito, allo strumento che è calibrato alla cella di carico. Se si usa Straightpoint Handheld Plus, le istruzioni operative complete per questo sono descritte in dettaglio nel manuale SU3343.



Verbind de laadcel met de kabel die is meegeleverd met de instrumenten, welke voor de laadcel is gekalibreerd. Indien u de Straightpoint Handheld Plus gebruikt, bevinden de volledige gebruikersinstructies zich in handleiding SU3343.



С помощью имеющегося в комплекте кабеля подключите датчик к контрольно-измерительным приборам, настроенным на работу с ним. Если вы используете переносной дисплей Handheld Plus компании Straightpoint, все инструкции пользователя находятся в руководстве SU3343.



Συνδέστε το δυναμόμετρο με το όργανο που έχει βαθμονομηθεί για το δυναμόμετρο, χρησιμοποιώντας το καλώδιο που παρέχεται. Εάν χρησιμοποιείτε το Straightpoint Handheld Plus, οι πλήρεις οδηγίες λειτουργίας του περιγράφονται λεπτομερώς στο εγχειρίδιο SU3343.



Koble lastecellen til instrumentet ved å bruke kabelen som medfølger og er kalibrert i henhold til lastecellen. Hvis du bruker Straightpoint Handheld Plus, finner du de komplette driftsinstruksjonene detaljert i manual SU3343.



Anslut lastcellen med hjälp av den medföljande kabeln till instrumenten som är kalibrerade för lastcellen. Vid användning av Straightpoint Handheld Plus, återfinns fullständiga driftsanvisningar i manual SU3343.



使用附带的线缆将称重传感器连接到相对于该称重传感器经过校准的仪器上。
 如果使用的是速得公司的 Handheld Plus, 手册 SU3343 中详细提供了本操作的完整说明。

普通话

قم بتوصيل خلية الحمل باستخدام الكبل المزود بالأداة المعايرة على خلية الحمل. إذا كنت تستخدم
 Straightpoint Handheld Plus, فالتعليمات التشغيلية له متوفرة في الدليل SU3343

العربية

Place the loadcell on a base plate or surface that is sufficiently strong enough to withstand the load that will be applied. This mounting surface should be flat, smooth and level.



The top of the loadcell is domed - packing plates or a loadcap may be required to protect the item being loaded onto the loadcell.

Placer la cellule de charge sur une plaque d'assise ou une surface suffisamment solide pour résister à la charge qui va être appliquée. Cette surface de montage doit être à plat, régulière et de niveau.



Le dessus de la cellule de charge est en forme de dôme - des plaques de garnissage ou un bouchon de chargement peuvent être nécessaire pour protéger le chargement de la pièce sur la cellule de charge.

Platzieren Sie die Kraftmesszelle auf einer Auflageplatte oder Fläche, die ausreichend stabil ist, um die Last, die angebracht werden wird, auszuhalten. Diese Auflagefläche sollte eben und horizontal sein.



Die Oberseite der Kraftmesszelle ist gewölbt - es können Verpackungsplatten oder eine Lastenabdeckung für den Schutz des Gegenstands, der auf die Kraftmesszelle aufgeladen wird, erforderlich sein.

Coloque la celda de carga en la placa base o en una superficie que sea suficientemente sólida para soportar la carga que se aplicará. La superficie de montaje debe ser plana, blanda y equilibrada.



La parte superior de la celda de carga tiene forma de cúpula. Puede que necesite placas de embalaje o una carga máxima para proteger el artículo que se carga en la celda de carga.

Sistemare la cella di carico su una piastra o superficie che sia sufficientemente forte da resistere al carico che sarà applicato. Tale superficie di montaggio dovrà essere piatta, liscia e livellata.



La parte superiore della cella di carico è fatta a volta: piastre di imballaggio oppure una protezione della cella possono essere necessarie per proteggere l'articolo che si sta caricando sulla cella di carico.

Plaats de laadcel op een basisplaat of oppervlak dat voldoende sterk is om de lading te weerstaan die zal worden toegepast. Dit montageoppervlak dient vlak, glad en waterpas te zijn.



De bovenkant van de laadcel is bol - pakkingplaten of een max. draagvermogen kunnen nodig zijn om te voorkomen dat het artikel op de laadcel wordt geladen.

Поместите датчик на основание или поверхность, достаточно прочную, чтобы выдержать применяемую нагрузку. Поверхность должна быть плоской, гладкой и нивелированной.



Верхняя поверхность датчика имеет выпуклую форму. Для защиты взвешиваемого объекта могут понадобиться прокладки или платформа.

Τοποθετήστε το δυναμόμετρο σε μία σταθερή βάση ή επιφάνεια που είναι αρκετά ισχυρή ώστε να αντέχει το φορτίο που θα πρέπει να εφαρμοστεί. Αυτή η επιφάνεια τοποθέτησης πρέπει να είναι ισοπέδη, λεία και επίπεδη. Το πάνω μέρος του δυναμόμετρου έχει σχήμα θόλου - πιθανώς να χρειαστούν πλάκες συσκευασίας ή κάλυμμα του φορτίου για την προστασία του αντικειμένου που φορτώνεται στο δυναμόμετρο.



Plasser lastecellen på en baseplate eller overflate som er tilstrekkelig sterk nok til å tåle lastes som skal påføres. Denne monteringsoverflaten bør være flat, jevn og i vater.



Toppen av lastecellen er i kuppelstil - pakkeplater eller lastevern kan være nødvendig for å beskytte gjenstanden som lastes opp på lastecellen.

Placera lastcellen på en basplatta eller yta som är tillräckligt stark för att kunna hantera belastningen. Denna monteringsyta bör vara plan, jämn och nivåutjämnad.



Lastcellens ovsandsida är välvd - packningsplattor eller en belastningskåpa kan krävas för att skydda föremålet som placeras på lastcellen.

将该称重传感器放在足以承受要施加的负荷的底座或平面上。此安装表面应平坦、光滑、水平。

称重传感器顶部为圆顶状，为了保护施加在称重传感器上的物件，可能需要使用垫板或负载罩。

普通话

ضع خلية الحمل على لوح قاعدي أو سطح قوي بقدر كافي لمقاومة الحمل المطبق. يجب أن يكون سطح التركيب مسطحاً وأمسكاً ومستوياً.

أعلى خلية الحمل مقبباً. قد تكون هناك لاستخدام أوراق حشو أو غطاء لحماية العنصر المحملة في خلية الحمل.

العربية

These devices are sealed to IP67/NEMA6 standards.
The effects of solvent on the device can not be guaranteed, and should therefore be avoided.



Avoid use within 20-30 minutes of rapid changes in temperature, for example moving the device from a cold vehicle into a warm room. The change in temperature can affect the accuracy of the device. The operating temperature is -10 to +50° C or 14 to 122° F.

Should the display show "OVERLOAD" remove the load immediately as this indicates an overload situation.
Check that the load applied is within the working load limit of the device. If it continues to display overload, contact your supplier.

Bien que ces appareils soient scellés aux normes IP65/NEMA4X, ils ne doivent pas être immergés dans l'eau.
Les effets de solvant sur l'appareil ne peuvent pas être garantis, et doivent donc être évités.



Évitez d'opérer sous 20-30 minutes de brusques changements de température, par exemple de déplacer l'appareil à partir d'un véhicule froid dans une pièce chaude. Le changement de température peut affecter la précision de l'appareil. La température de fonctionnement est de -10 à +50° C ou de 14 à 122° F.

Si l'écran affiche « OVERLOAD », retirez immédiatement la charge, car cela indique une situation de surcharge.
Vérifier que la charge appliquée est dans la limite du dispositif de charge de travail. Si elle continue à afficher une surcharge, contactez votre fournisseur.

Obwohl diese Geräte nach IP65/NEMA4X-Normen abgedichtet werden, sollten sie nicht in Wasser getaucht werden.
Es besteht keine Garantie für Lösemittel-Auswirkungen an dem jeweiligen Gerät, daher sollten diese vermieden werden.



Vermeiden Sie die Nutzung innerhalb eines Zeitraumes von 20-30 Minuten, nachdem das Gerät deutliche Temperaturwechsel durchlaufen hat, etwa wenn es von einem kalten Auto in einen warmen Raum gebracht worden ist. Der Temperaturwechsel kann die Genauigkeit des Gerätes beeinflussen. Die Nutzungstemperatur beträgt -10 bis +50° C oder 14 bis 122° F.

Sollte auf der Anzeige „OVERLOAD“ zu lesen sein, entfernen Sie umgehend die Last, da eine Überbelastungssituation signalisiert wird.
Überprüfen Sie, dass die Belastung innerhalb der Tragfähigkeit des Gerätes. Wenn es um eine Überlastung anzuzeigen weiter, kontaktieren Sie Ihren Lieferanten.

Aunque estos dispositivos siguen los estándares IP65/NEMA4X, no deben sumergirse en agua. Las consecuencias de una inmersión no pueden garantizarse y se debe, por tanto, evitar.



Evite su uso en 20-30 minutos en cambios rápido de temperatura, por ejemplo al pasar el dispositivo de un vehículo frío a una habitación caliente. El cambio de temperatura puede afectar a la precisión del dispositivo. La temperatura de funcionamiento es de -10 a +50° C o de 14 a 122° F.

Si aparece en la pantalla "OVERLOAD", retire la carga inmediatamente ya que hay una sobrecarga.
Compruebe que la carga aplicada está dentro del límite de carga de trabajo del dispositivo. Si se sigue mostrando la sobrecarga, póngase en contacto con su proveedor.

Anche se i presenti dispositivi sono sigillati conformemente agli standard IP65/NEMA4X, non dovrebbero essere immersi nell'acqua. Gli effetti del solvente sul dispositivo non possono essere garantiti e quindi dovrebbe essere evitato.



Evitare l'uso entro 20-30 minuti di cambiamenti rapidi di temperatura, per esempio quando si muove il dispositivo da un veicolo freddo in una stanza calda. La variazione della temperatura può influire sull'accuratezza del dispositivo. La temperatura operativa è nell'intervallo da -10 a +50° C o da 14 a 122° F.

Se il display mostra "OVERLOAD" rimuovere immediatamente il carico perché indica una situazione di sovraccarico.
Verificare che il carico applicato è entro il limite di carico di lavoro del dispositivo. Se si continua a visualizzare sovraccarico, contattare il proprio fornitore.

Hoewel deze apparatuur is verzegeld volgens de IP65/NEMA4X maatstaven, dienen ze niet ondergedompeld te worden in water. De effecten van oplosmiddelen op het toestel kunnen niet worden gegarandeerd en dienen derhalve te worden voorkomen.



Voorkom gebruik binnen 20 – 30 minuten na een snelle temperatuursverandering, bijvoorbeeld door het toestel van een koud voertuig te verplaatsen naar een verwarmde ruimte. De temperatuursverandering kan de accuratesse van het toestel beïnvloeden. De gebruikstemperatuur is 10 tot +50° C of 14 tot 122° F.

Mocht de display geven "OVERLOAD" verwijder de last onmiddellijk als dit wijst op een overbelasting.
Controleer of de toegepaste belasting binnen de werklust maximum van de apparatuur. Als het blijft overbelasting geven, neem dan contact op met uw leverancier.

Поскольку устройства имеют уплотнения, соответствующие стандартам IP65/NEMA4X, их запрещается опускать в воду. Невозможно гарантировать положительный эффект от воздействия растворителей на устройство, поэтому не следует допускать их контакта.



Не эксплуатируйте устройство в течение 20-30 минут после резкого перепада температур, например, после переноса устройства из холодного автомобиля в теплую комнату. Перепад температур может снизить точность измерений. Диапазон рабочих температур составляет от -10 до +50°C (от 14 до 122°F).

При появлении на дисплее надписи «OVERLOAD» незамедлительно снимите нагрузку. Убедитесь, что нагрузка, приложенная находится в пределах рабочей нагрузки устройства. Если так будет продолжаться, чтобы отобразить перегрузку, обратитесь к поставщику.

An και αυτές οι συσκευές φέρουν στεγανοποίηση σύμφωνα με τα πρότυπα IP65/NEMA4X, δεν θα πρέπει να βυθίζονται σε νερό. Η επίδραση διαλυτή στη συσκευή δεν είναι εγγυημένη και θα πρέπει επομένως να αποφεύγεται.



Αποφύγετε τη χρήση εντός 20-30 λεπτών γρήγορων μεταβολών θερμοκρασίας, για παράδειγμα, μετακινώντας τη συσκευή από ένα παγωμένο όχημα σε ένα ζεστό δωμάτιο. Η αλλαγή θερμοκρασίας μπορεί να επηρεάσει την ακρίβεια της συσκευής. Η θερμοκρασία λειτουργίας είναι 10 έως +50° C ή 14 έως 122° F.

An εμφανιστεί η ένδειξη "OVERLOAD" στην οθόνη, αφαιρέστε άμεσα το φορτίο, καθώς αυτή υποδεικνύει μία συνθήκη υπερφόρτωσης. Βεβαιωθείτε ότι το φορτίο που εφαρμόζεται είναι εντός του ορίου φορτίου λειτουργίας της συσκευής. Εάν εξακολουθεί να εμφανίζεται υπερφόρτωση, επικοινωνήστε με τον προμηθευτή σας.

Mens dette utstyret er forseglet til IP65/NEMA4X standarder skal de ikke legges i vann. Effektene av løsningsmidler på utstyret kan ikke garanteres og skal derfor unngås.



Unngå bruk innenfor 20-30 minutter med hurtige endringer i temperatur, for eksempel ved å flytte utstyret fra en kald bil til et varmt rom. Endringen i temperatur kan påvirke nøyaktigheten av utstyret. Driftstemperaturen er -10 til +50° C eller 14 til 122° F.

Skulle skjermen vise "OVERLOAD", fjern lasten umiddelbart, da dette indikerer en overbelastningssituasjon. Kontroller at gjeldende last er innen arbeidsbelastningsgrensen til enheten. Hvis skjermen fortsetter å indikere overbelastning, ta kontakt med forhandleren din.

Eftersom dessa enheter är tätade enligt IP65/NEMA4X-standard bör de inte sänkas ner i vatten. Effekterna av lösningsmedel på enheten kan inte garanteras och bör därför undvikas.



Undvik att använda 20-30 minuter efter snabba temperaturförändringar, t.ex. om enheten har flyttats från ett kallt fordon till ett varmt rum. Temperaturförändringar kan påverka enhetens noggrannhet. Drifttemperaturen är 10 till +50°C eller 14 till 122°F.

Avlägsna omedelbart lasten om det står "OVERLOAD" på skärmen eftersom detta indikerer en överbelastning. Kontrollera att den belastning som anbringas är inom maxlasten av anordningen. Om det fortsätter att visa överbelastning, kontakta din leverantör.

无线测力环是按照 IP65/NEMA4X 密封防护级别进行封装制造，因此不应将其浸入水中。目前还无法保证溶剂对设备不产生影响，因此要避免接触此类物质。

普通话

应避免使设备在短时间内（20-30 分钟）经历剧烈的环境温度变化，比如将设备从温度较低的运输车辆内移至温暖的室内环境。环境温度变化会影响计量的准确性。设备的工作温度范围为 -10 到 +50° C（14 到 122° F）。

如果显示屏出现 "OVERLOAD" 字样，说明设备已经过载，应立即卸下负荷物。檢查應用負載設備的工作負荷極限內。如果繼續顯示過載，請聯繫您的供應商。

العربية

رغم أن هذه الأجهزة محكمة وفقاً لمعايير IP65/NEMA4X، إلا أنه يجب عدم غمسها في الماء. تأثيرات المادة المذيبة على الجهاز مأمونة ولذا يجب تجنبها.

تجنب الاستخدام خلال 20 إلى 30 دقيقة من التغيرات السريعة في درجة الحرارة، على سبيل المثال نقل الجهاز من مركبة باردة إلى غرفة دافئة. التغير في درجة الحرارة قد يؤثر على دقة الجهاز. درجة حرارة التشغيل هي 10- إلى 50+ سلازيس أو 14 إلى 122 فهرنهايت.

إذا أظهرت الشاشة "OVERLOAD" (حمولة زائدة)، أزل الحمولة على الفور لأن هذه الرسالة تشير إلى زيادة الحمل. تأكد من أن الحمل المطبق هو في حدود حمولة عمل الجهاز. إذا كان لا يزال لعرضه الزائد، اتصل المورد الخاص بك.

v1.00
Part No:
SU3342

11

These products are supplied with a certificate of calibration which is valid for one year.

After this date, it is recommended the device is recalibrated by Straightpoint or an approved calibration laboratory.

Contact the Straightpoint service department or your supplier for more information.

In the unlikely event of this device failing, fit new batteries and re-test. Only when this has been done should you contact your supplier to report the fault. When reporting the fault it is important to give a full description of the problem and the type of application the device is being used for.



Ces produits sont livrés avec un certificat d'étalonnage qui est valable pour un an.

Après cette date, il est recommandé de faire un nouvel étalonnage par Straightpoint ou un laboratoire d'étalonnage agréé.

Contactez le service après-vente Straightpoint ou votre fournisseur pour plus d'informations.

Dans le cas peu probable que ce produit tombe en panne, installez de nouvelles piles et testez à nouveau. Ce n'est que lorsque cela a été fait que vous devez contacter votre fournisseur et lui signaler ce défaut. Lors de la déclaration du défaut, il est important de donner une description complète du problème et le type d'application.



Diese Produkte werden mit einem für ein Jahr gültigen Eichzertifikat geliefert.

Es wird empfohlen, dass das Gerät nach Ablauf dieses Zeitraumes durch Straightpoint oder ein zugelassenes Kalibrierlabor nachgecheckt wird.

Nehmen Sie für weitere Informationen Kontakt mit der Straightpoint-Kundendienstabteilung oder Ihrem Lieferanten auf.

Legen Sie für den unwahrscheinlichen Fall des Produktversagens neue Batterien ein und versuchen Sie es erneut. Nur nachdem dies getan worden ist, sollten Sie Kontakt mit Ihrem Lieferanten aufnehmen und den Fehler melden. Dabei ist es wichtig, eine vollständige Problembeschreibung zu liefern und das Anwendungsgebiet zu nennen, für welches das Gerät genutzt wird.



Estos productos se distribuyen con un certificado de calibración que tiene un año de validez.

Tras esta fecha, se recomienda que Straightpoint o un laboratorio de calibración autorizado recalibre el dispositivo.

Póngase en contacto con el Servicio de atención al cliente de Straightpoint o con su distribuidor si desea más información.

En el improbable caso de que el dispositivo no funcione, introduzca pilas nuevas y pruébelo de nuevo. Solo cuando haya hecho esto debe ponerse en contacto con su distribuidor para informar de la anomalía. Cuando la anomalía es importante que dé una descripción completa del problema y del tipo de aplicación que está haciendo del dispositivo.



Questi prodotti sono forniti con un certificato di taratura che è valido per un anno.

Dopo questa data si raccomanda che il dispositivo sia ricalibrato da Straightpoint oppure da un laboratorio di calibrazione approvato.

Contattare il dipartimento assistenza di Straightpoint o il vostro rivenditore per maggiori informazioni.

Nell'eventualità che il dispositivo presenti un guasto, installare nuove batterie e compiere nuovamente il test. Solo quando questo è avvenuto dovrebbe contattare il vostro rivenditore per riportare il guasto. Nel riportare un guasto è importante fornire una descrizione completa del problema ed il tipo di applicazione per cui è stato usato il dispositivo.



Deze producten worden geleverd met een kalibratiecertificaat, welke geldig is voor één jaar.

Na deze datum wordt aanbevolen om het toestel opnieuw te laten kalibreren door Straightpoint of een goedgekeurd kalibratielaboratorium.

Neem voor meer informatie contact op met de serviceafdeling van Straightpoint of uw leverancier.

In het onfortuinlijke geval dat dit toestel defecten vertoont, plaats u nieuwe batterijen en test u opnieuw of het toestel werkt. Alleen wanneer u dit reeds heeft gedaan, dient u contact op te nemen met uw leverancier om het defect te melden. Bij melding van een defect is het belangrijk om een volledige beschrijving van het probleem te geven en het soort toepassing waar het toestel voor wordt gebruikt.



В комплекте с изделием поставляется сертификат калибровки, действующий в течение одного года.

По истечении этого срока рекомендуется провести повторную калибровку устройства силами специалистов компании Straightpoint или специалистов авторизованной калибровочной лаборатории.

Для получения дополнительной информации обратитесь в сервисную службу компании Straightpoint или к поставщику изделия.

В случае сбоя устройства установите новые батареи и проверьте его работоспособность. Только после этого следует обращаться к поставщику с сообщением о поломке. При сообщении о поломке важно предоставить полное описание проблемы и тип работ, для которых применяется устройство.



Αυτά τα προϊόντα παρέχονται με ένα πιστοποιητικό βαθμονόμησης, το οποίο είναι έγκυρο για ένα έτος.

Υστερα από το πέρας αυτής της ημερομηνίας συνιστάται η εκ νέου βαθμονόμηση της συσκευής από τη Straightpoint ή ένα εγκεκριμένο εργαστήριο βαθμονόμησης.

Επικοινωνήστε με το τμήμα σέρβις της Straightpoint ή τον προμηθευτή σας για περισσότερες πληροφορίες.

Στην απίθανη περίπτωση αποτυχίας της συσκευής, τοποθετήστε νέες μπαταρίες και δοκιμάστε πάλι. Μόνο όταν έχετε προβεί σε αυτή την ενέργεια θα πρέπει να επικοινωνήσετε με τον προμηθευτή σας για αναφορά ασφάλματος. Κατά την αναφορά ασφάλματος είναι σημαντικό να δώσετε μία πλήρη περιγραφή του προβλήματος και του τύπου εφαρμογής χρήσης της συσκευής.



Disse produktene er levert med et sertifikat for kalibrering som er gyldig for et år.

Etter denne datoen er det anbefalt at utstyret er rekalisert av Straightpoint eller et godkjent kalibreringslaboratorie.

Kontakt Straightpoint serviceavdeling eller din leverandør for mer informasjon.

I det usannsynlige tilfellet ditt utstyr svikter, sett i nye batterier og test på nytt. Kun når dette er gjort bør du kontakte din leverandør for å rapportere svikten. Ved rapportering av svikten er det viktig å gi en komplett beskrivelse av problemet og typen applikasjonen utstyret er brukt for.



De här produkterna levereras med ett kalibreringsintyg som är giltigt i ett år.

Efter detta datum rekommenderar vi att enheten omkalibreras av Straightpoint eller ett godkänt kalibreringslaboratorium.

Kontakta Straightpoints serviceavdelning eller din återförsäljare för ytterligare information.

Skulle det osannolika ske och enheten slutar fungera, sätt in nya batterier och försök igen. Endast om detta har gjorts bör du kontakta din återförsäljare och rapportera felet. Vid rapportering av fel är det viktigt att du ger en fullständig beskrivning av problemet och anger vad enheten används för.



产品附带我们提供的校准证书，有效期为一年。

此有效期截止时，建议由速得有限公司对设备重新校准，也可由认可的校准实验室进行校准。

要了解详细信息，请联系速得服务部门或您当地的专业服务提供商。

万一设备功能失效，请装上新电池重新测试。如果更换新电池后仍然失效，再请联系您的服务提供商，反馈设备故障情况。反馈故障情况时，务必详细完整地描述设备出现的问题及设备的具体应用情况。

普通话

هذه المنتجات مزودة بشهادة معايرة صالحة لمدة سنة.

بعد هذا التاريخ، يُوصى بمعايرة الجهاز بواسطة Straightpoint أو بمعمل معايرة معتمد.

إذا حدث وتعطل الجهاز عن العمل، ركب بطاريات جديدة واعد الضبط. لا تتصل بالمورد للحصول على مزيد من المعلومات.

من المهم، عند الإبلاغ عن العطل، أن تعطي وصفا كاملا للمشكلة ونوع التطبيق الذي يستخدم فيه الجهاز.

العربية

Straightpoint (UK) Ltd warrants this product against malfunction for a period of two years from manufacture. Conditions of warranty:



- The equipment is used as described exactly in the operators manual supplied.
- Whilst we make every effort to ensure each device is calibrated before despatch, Straightpoint (UK) Ltd do not accept responsibility for inaccurate readings indicated by this equipment.
- In the event of malfunction, the device is returned to the manufacturer: Straightpoint (UK) Ltd, Unit 9 Dakota Park, Havant, Hampshire, UK, PO9 2NJ.
- If we consider any malfunction to be caused by misuse, this warranty is void and any repair will be charged for accordingly.

Straightpoint (UK) Ltd garantit ce produit contre tout dysfonctionnement pour une période de deux ans à compter de la date de fabrication.



- Conditions de garantie:
- L'équipement est utilisé comme décrit exactement dans le manuel d'utilisation fourni.
 - Tandis que nous faisons tous les efforts possibles pour s'assurer que chaque appareil est étalonné avant expédition, Straightpoint (UK) Ltd ne peut être tenue responsable des lectures inexactes indiquées par cet appareil.
 - En cas de dysfonctionnement, l'appareil est retourné au fabricant: Straightpoint (UK) Ltd, Unit 9 Dakota Park, Havant, Hampshire, UK, PO9 2NJ.
 - Tout dysfonctionnement causé par une mauvaise utilisation annulera la garantie et la réparation sera facturée en conséquence.

Straightpoint (UK) Ltd deckt dieses Produkt mit einer Garantie von zwei Jahren ab Herstellungsdatum gegen Ausfälle ab.



- Garantiebedingungen:
- Das Produkt wird exakt so genutzt, wie im gelieferten Bedienungshandbuch beschrieben.
 - Obwohl wir alle Anstrengungen unternehmen, um zu gewährleisten, dass jedes Gerät vor Auslieferung geeicht ist, übernimmt Straightpoint (UK) Ltd keine Verantwortung für ungenaue Werte, die durch das jeweilige Gerät angezeigt werden.
 - Im Falle von Störungen ist das Gerät zurück an den Hersteller zu senden: Straightpoint (UK) Ltd, Unit 9 Dakota Park, Havant, Hampshire, UK, PO9 2NJ.
 - Sind wir der Auffassung, dass Störungen durch unsachgemäße Anwendung verursacht worden sind, ist diese Garantie unwirksam und jede Instandsetzung wird entsprechend berechnet.

Straightpoint (UK) Ltd garantiza este producto frente a mal funcionamiento durante dos años desde su fabricación.



- Condiciones de la garantía:
- El material se utiliza tal y como se describe en el manual de usuario fabricado.
 - Dado que hacemos todo lo posible por calibrar el dispositivo antes de que se distribuya, Straightpoint (UK) Ltd no acepta responsabilidad alguna por interpretaciones inexactas de lo indicado en este material.
 - En caso de mal funcionamiento, devuelve el dispositivo al fabricante a la siguiente dirección: Straightpoint (UK) Ltd, Unit 9 Dakota Park, Havant, Hampshire, UK, PO9 2NJ.
 - Si consideramos que el mal funcionamiento se debe a un uso inadecuado, se anula la garantía y se cobrará cualquier reparación realizada.

Straightpoint (UK) Ltd garantisce questo prodotto contro il malfunzionamento per un periodo di due anni dalla produzione.



- Le condizioni della garanzia:
- L'apparecchiatura viene utilizzata esattamente come descritto nel manuale operatori in dotazione.
 - Anche se ci impegniamo per assicurare che ogni dispositivo venga calibrato prima della spedizione, Straightpoint (UK) Ltd non accetta la responsabilità per letture non accurate indicate dalla presente apparecchiatura.
 - In caso di malfunzionamento il dispositivo viene restituito al produttore: Straightpoint (UK) Ltd, Unit 9 Dakota Park, Havant, Hampshire, UK, PO9 2NJ.
 - Qualora dovessimo considerare che il malfunzionamento è causato da un uso improprio questa garanzia decade e tutti gli interventi di riparazione verranno addebitati di conseguenza.

Straightpoint (UK) Ltd biedt gedurende een periode van twee jaar vanaf de productiedatum een garantie tegen productiefouten.



- Garantievoorwaarden:
- Het toestel wordt precies gebruikt als beschreven in de gebruikershandleiding als meegeleverd met het product.
 - Hoewel we alles in het werk stellen om ervoor te zorgen dat elk apparaat voor verzending is gekalibreerd, aanvaardt Straightpoint (UK) Ltd geen verantwoordelijkheid voor een onjuiste waarde, aangegeven door dit toestel.
 - In het geval van defecten wordt het toestel geretourneerd naar de fabrikant: Straightpoint (UK) Ltd, Unit 9 Dakota Park, Havant, Hampshire, UK, PO9 2NJ.
 - Indien we constateren dat het defect wordt veroorzaakt door misbruik, is deze garantie niet van toepassing en zal reparatie van het toestel dienovereenkomstig worden doorbetaald aan de gebruiker.

Straightpoint (UK) Ltd даёт гарантию исправности изделия на два года, начиная с даты изготовления.



- Условия предоставления гарантийного обслуживания:
- Оборудование должно использоваться строго в соответствии с описанием, приведенном в настоящем руководстве по эксплуатации.
 - Не смотря на то, что перед отправкой все устройства калибруются, компания Straightpoint (UK) Ltd не несет ответственности за последствия неточных показаний, полученных с помощью данного изделия.
 - В случае неисправности изделие должно быть возвращено производителю по адресу: Straightpoint (UK) Ltd, Unit 9 Dakota Park, Havant, Hampshire, UK, PO9 2NJ.
 - Если неисправность вызвана ненадлежащей эксплуатацией, производитель снимает с себя гарантийные обязательства, при этом стоимость ремонта изделия подлежит оплате покупателем.

H Straightpoint (UK) Ltd παρέχει εγγύηση μη διαθεσιμότητας του παρόντος προϊόντος για χρονικό διάστημα δύο ετών από την κατασκευή.



- Συνθήκες εγγύησης:
- Ο εξοπλισμός χρησιμοποιείται όπως περιγράφεται ακριβώς στο παρεχόμενο έγγραφο χρήστη.
 - Ενώ καταβάλλουμε κάθε προσπάθεια για τη διασφάλιση της βαθμονόμησης κάθε συσκευής πριν την αποστολή, η Straightpoint (UK) Ltd δεν αναλαμβάνει καμία ευθύνη για ανακριβείς ενδείξεις που υποδεικνύουν ο εξοπλισμός.
 - Στην περίπτωση διαθεσιμότητας, η συσκευή επιστρέφεται στον κατασκευαστή: Straightpoint (UK) Ltd, Unit 9 Dakota Park, Havant, Hampshire, UK, PO9 2NJ.
 - Αν κρίνουμε ότι οποιαδήποτε διαθεσιμότητα οφείλεται σε κακή χρήση, η εγγύηση ακυρώνεται και κάθε επόχληση θα επιβληθεί αντίστοιχο χρέωση.

Straightpoint (UK) Ltd garanterer dette produktet mot funksjonsfeil i en periode på to år fra produksjon.



- Garantibetingelser:
- Utstyret er brukt nøyaktig som beskrevet i brukerveiledningen som er levert.
 - Selv om vi forsøker å sikre at hvert utstyr er kalibrert før forsendelse, vil ikke Straightpoint (UK) Ltd påta seg noe ansvar for unøyaktige avlesninger indikert av dette utstyret.
 - I tilfelle av maskinsvikt, er utstyret returnert til produsenten: Straightpoint (UK) Ltd, Unit 9 Dakota Park, Havant, Hampshire, UK, PO9 2NJ.
 - Om vi anser et en maskinsvikt er forårsaket av misbruk er denne garantien ugyldig og alle reparasjonskostnader vil bli beregnet i samsvar med dette.

Straightpoint (UK) Ltd lämnar garanti på denna produkt för funktionsfel under en period av två år från tillverkningsdatumet.



- Garantivillkor:
- Utrustningen används enligt den utförliga beskrivningen i medföljande bruksanvisning.
 - Även om vi gör allt vi kan för att se till att varje enhet är kalibrerad före leverans ansvarar Straightpoint (UK) Ltd inte för felaktiga avläsningar som utförs av denna utrustning.
 - Vid fel returneras enheten till tillverkaren: Straightpoint (UK) Ltd, Unit 9 Dakota Park, Havant, Hampshire, UK, PO9 2NJ.
 - Om vi anser att ett fel har orsakats av felaktig användning är denna garanti ogiltig och alla reparationer kommer då att debiteras.

Straightpoint (UK) Ltd 保证本产品自生产之后两年内不会发生故障。

普通话

- 具体的质保要求如下:
- 设备的使用应严格遵守本使用手册的各项规定。
 - 速得 (英国) 有限公司已尽力确保每台设备在发货前都经过校准测试。对于设备显示读数不准确的情况, 速得 (英国) 有限公司不承担任何责任。
 - 如果设备发生故障, 请将其退回制造商, 邮寄地址: Straightpoint (UK) Ltd, Unit 9 Dakota Park, Havant, Hampshire, UK, PO9 2NJ.
 - 如果速得认为设备故障是由客户使用不当造成的, 客户无法享受此质保服务, 速得不担任任何相应的维修服务。

Straightpoint (UK) Ltd تضمن هذا المنتج ضد العطل لمدة سنتين من التصنيع.

العربية

- شروط الضمان:
- استخدام الجهاز بنفس الطريقة الموصى بها في دليل المستخدم.
 - بينما نبذل كل الجهود الممكنة لضمان معايرة كل جهاز قبل شحنه, فإننا لا نقبل أي مسؤولية عن أي أخطاء تشير نتائج الجهاز إليها المدة.
 - في حالة تعطل الجهاز, يُرجن إعادته إلى المصنّع. Straightpoint (UK) Ltd, Unit 9 Dakota Park, Havant, Hampshire, UK, PO9 2NJ
 - إذا كان تعطل الجهاز عن سوء الاستعمال, يصبح هذا الضمان لاغياً وينبغي عليه سبب فرض رسوم على التصليح. Straightpoint (UK) Ltd, Unit 9 Dakota Park, Havant, Hampshire, UK, PO9 2NJ

v1.00
Part No:
SU3342

13

Distributor Stamp



Crosby | Straightpoint

Unit 9, Dakota Park, Downley Road, Havant, Hampshire, PO9 2NJ UK · Tel: +44 (0)2392 484491
2801 Dawson Road, Tulsa, OK 74110 · USA · Tel: +1 (918) 834-4611