

5MP Enhanced Starlight Network Dome Camera (Vari-focal)

True Wide Dynamic Network Camera with Smart Motion Detection+



WizSense

WizSense Series devices combine Dahua's powerful Analytics+ with an intuitive and easy to use interface. WizSense devices offer Smart Motion Detection+ and Perimeter Protection functions that focus on human and vehicular images and ignore irrelevant images to capture important video while reducing false alarms. WizSense Series devices provide powerful general security for small to medium size businesses at a sensible price.

System Overview

The Dahua 5MP Enhanced Starlight Network Dome Camera (Vari-focal) is ideal for a host of diverse applications. The camera has Smart Motion Detection+ which improves alarm accuracy for Tripwire and Intrusion functions. The camera also has Enhanced Starlight, True Wide Dynamic Range, and IR illumination to allow the camera to operate in any lighting condition. The camera is rated to IP67 allowing the camera to deliver high-quality and reliable video in the harshest environments.

Functions

Perimeter Protection

Dahua Analytics+ includes Tripwire and Intrusion functions that offer custom tripwires based on object type for automation in limited access areas. Perimeter Protection requires fewer pixels to detect an object to deliver improved accuracy and decreased false alarms due to lights, weather, trees, or animals.

Smart Motion Detection+

Smart Motion Detection+, a component of Dahua's Analytics+ technology, improves alarm accuracy and decreases the number of false alarms. The advanced SMD+ algorithm analyzes a scene for human or vehicle motion, while filtering out other motion due to trees, leaves, animals, weather, and triggers an alarm when detected.

AI Scene Self-adaptation (AI SSA)

AI SSA (AI Scene Self-adaptation) adopts deep learning algorithms to detect environmental conditions, such as rain, fog, backlight, low light and flicker, to adjust the parameters of the image to suit the conditions, ensuring that clear images are always produced.

- 1/2.7 in. 5MP Progress-scan CMOS Sensor
- Triple-stream Encoding
- AI Coding, Smart H.265+ and Smart H.264+ Dual Codec
- 5MP (2960 x 1668) at 20 fps
- 2.7 mm to 13.5 mm Motorized Vari-focal Lens
- Enhanced Starlight Technology for Low-light Applications
- Analytics+ Function: Perimeter Protection, Smart Motion Detection+
- True Wide Dynamic Range (120 dB), Day/Night IR Cut Filter
- Maximum IR LED Distance of 40.0 m (131.23 ft)
- Built-in Microphone
- AI Scene Self-adaptation (AI SSA)
- IP67 Ingress Protection, IK10 Vandal Resistance
- Five-year Warranty*



Enhanced Starlight Technology

For challenging low-light applications, Dahua's Starlight Ultra-low Light Technology offers best-in-class light sensitivity, capturing color details in lighting as low as 0.005 lux. The camera uses a set of optical features to balance light throughout the scene, resulting in clear images in dark environment.

Smart H.265+

Smart H.265+ is the optimized implementation of the H.265 codec that uses a scene-adaptive encoding strategy, dynamic GOP, dynamic ROI, flexible multi-frame reference structure and intelligent noise reduction to deliver high-quality video without straining the network. Smart H.265+ technology reduces bit rate and storage requirements by up to 70% when compared to standard H.265 video compression.

Cybersecurity

Dahua network cameras are equipped with a series of key cybersecurity technologies including: security authentication and authorization, access control, trusted protection, encrypted transmission, and encrypted storage. These technologies improve the camera's ability to prevent malicious access and to protect data.

ArcticPro

The Dahua ArcticPro Series of extreme-environment cameras combine temperature-tolerant components with a waterproof enclosure to ensure flawless operation in temperatures as low as -40° C (-40° F) without the need for an internal heater. The lack of a heater reduces the camera's power consumption and saves operating costs. For applications that demand high-resolution video with advanced features in extremely cold environments, the Dahua ArcticPro Series offers a camera to satisfy the most demanding requirements.

Environmental

The camera complies with the IK10 Vandal Resistance impact rating making it capable of withstanding the equivalent of 5 kg (11.02 lbs) of force dropped from a height of 40 cm (15.75 in.). Subjected to rigorous dust and water immersion tests and certified to the IP67 Ingress Protection rating makes it suitable for demanding outdoor applications. The camera offers a wide voltage range, with a 30% input voltage tolerance, suitable for external applications with unstable power sources.

Technical Specification

Camera

| | |
|--------------------------|---|
| Image Sensor | 1/2.7-in. 5MP CMOS |
| Effective Pixels | 2960 (H) x 1668 (V) |
| RAM/ROM | 512 MB/128 MB |
| Scanning System | Progressive |
| Electronic Shutter Speed | 1/3 s to 1/100,000 s |
| Minimum Illumination | Color: 0.005 lux at F1.5 B/W: 0.0005lux at F1.5 0 lux at F1.5 (IR on) |
| S/N Ratio | > 56 dB |
| IR Distance | Up to 40.0 m (131.23 ft) |
| IR On/Off Control | Auto, Manual |
| IR LEDs | Three (3) |

Lens

| | | | | | |
|----------------------|--|------------------------|-----------------------|-----------------------|----------------------|
| Lens Type | Motorized Vari-focal | | | | |
| Iris Type | Fixed Aperture | | | | |
| Mount Type | M14 | | | | |
| Focal Length | 2.7 mm to 13.5 mm | | | | |
| Maximum Aperture | F1.5 | | | | |
| Angle of View | Horizontal: 114° to 32° Vertical: 58° to 17° Diagonal: 138° to 36° | | | | |
| Close Focus Distance | 0.80 m (2.62 ft) | | | | |
| DORI Distance¹ | Focus | Detect | Observe | Recognize | Identify |
| | Wide | 64.00 m (209.97 ft) | 25.60 m (83.99 ft) | 12.80 m (41.99 ft) | 6.40 m (21.0 ft) |
| | Tele | 210.0 m (688.98 ft) | 84.0 m (275.60 ft) | 42.0 m (137.80 ft) | 21.0 m (68.90 ft) |

Installation Angle

| | |
|-------|--|
| Range | Pan: 0° to 355° Tilt: 0° to 80° Rotation: 0° to 355° |
|-------|--|

Video

| | | |
|----------------------|---|-------------------------------|
| Compression | AI Coding, Smart H.265+, H.265, Smart H.264+, H.264, H.264B, H.264H, MJPEG (Sub Stream only) | |
| Streaming Capability | Three (3) Streams | |
| Resolution | 5MP (2960 x 1668), 4MP (2688 x 1520), 3MP (2304 x 1296), 1080p (1920 x 1080), 1.3MP (1280 x 960), 720p (1280 x 720), D1 (704 x 480), VGA (640 x 480), CIF (352 x 240) | |
| Frame Rate | Main Stream | 5MP (2960 x 1668) at 20 fps |
| | Sub Stream 1 | D1 (704 x 480) at 30 fps |
| | Sub Stream 2 | 1080p (1920 x 1080) at 30 fps |
| Bit Rate Control | CBR/VBR | |
| Bit Rate | H.264: 3 Kbps to 8192 Kbps H.265: 3 Kbps to 8192 Kbps | |
| BLC Mode | BLC, HLC, True WDR (120 dB), SSA | |
| White Balance | Auto, Natural, Street Lamp, Outdoor, Manual, Regional Custom | |
| Gain Control | Auto, Gain Priority, Shutter Priority, Manual | |
| Noise Reduction | 3D DNR | |
| Motion Detection | Off, On (4 Zones, Rectangular) | |
| Image Rotation | 0°, 90°, 180°, 270° (Supports 90°, 270° at 2688 x 1520 or lower) | |
| Mirror | Off, On | |
| Privacy Masking | Off, On (4 Areas, Rectangular) | |
| Advanced Features | Smart IR, Smart-scene Adaptive (SSA), AFSA, AI SSA, Defog, Electronic Image Stabilization (EIS) | |

Audio

| | |
|---------------------|---|
| Built-in Microphone | Yes |
| Compression | G.711a, G.711Mu, G.726, PCM, G.723, AAC |

Network

| | |
|-------------------------|--|
| Ethernet | RJ-45 (10/100 Base-T) |
| Protocol | IPv4, IPv6, HTTP, HTTPS, TCP, UDP, ARP, RTP, RTSP, RTCP, RTMP, SMTP, FTP, SFTP, DHCP, DNS, DDNS, QoS, UPnP, NTP, Multicast, ICMP, IGMP, NFS, PPPoE, 802.1x, SNMP |
| Interoperability | ONVIF (Profile S, G and T), CGI, P2P |
| Auto Register | Support |
| Streaming Method | Unicast/Multicast |
| Maximum User Access | 20 Users (Max. Bandwidth: 64 Mbps) |
| Edge Storage | Network Attached Storage (NAS), FTP, SFTP, SD Card Slot (Max. 256 GB) |
| Web Viewer | Microsoft Edge, Chrome |
| Management Software | DSS, DMSS |
| Mobile Operating System | iOS, Android |
| Cybersecurity | Video Encryption, Firmware Encryption, Configuration Encryption, Digest, WSSE, Account Lockout, Security Logs, IP/MAC Filtering, Generating and Importing X.509 Certification, Syslog, HTTPS, 802.1x, Trusted Boot, Trusted Execution, Trusted Upgrade |

Certifications

| | |
|-------------------------------------|---|
| Safety | UL62368-1 CAN/CSA C22.2 No. 62368-1-14 |
| Electromagnetic Compatibility (EMC) | 47 CFR FCC Part 15, Subpart B |

Interface

| | |
|-------|---|
| Audio | Input: One (1) Channel, RCA Output: One (1) Channel, RCA |
| Alarm | Input: One (1) Channel (5 mA, 3 to 5 VDC) Output: One (1) Channel (300 mA, 12 VDC) |

Electrical

| | |
|-------------------|--|
| Power Supply | 12 VDC or PoE (IEEE 802.3af) |
| Power Consumption | Basic: 4 W (12 VDC); 4.9 W (PoE) Max. (WDR + IR intensity + Intelligence): 9.2 W (12 VDC); 10.5 W (PoE) |

Environmental

| | |
|----------------------|--|
| Operating Conditions | -30° C to +60° C (-22° F to +140° F) Less than 95% RH |
| Storage Conditions | -40° C to +60° C (-40° F to +140° F) |
| Ingress Protection | IP67 |
| Vandal Resistance | IK10 |

Environmental

| | |
|--------------|---|
| Casing | Metal |
| Dimensions | 122.0 mm x 94.0 mm (4.80 in. x 3.70 in.) |
| Net Weight | 0.713 kg (1.57 lb) |
| Gross Weight | 0.986 kg (2.17 lb) |

Analytics+ Functions

| | |
|--------------------------------------|--|
| Perimeter Protection | <ul style="list-style-type: none"> • Detects human or vehicle violations using the following methods: Tripwire: a target crosses a defined line. Intrusion: a target enters or exits a defined perimeter. • Monitors a combination of 10 detection methods. • Search and retrieve video based on target type. |
| Smart Motion Detection+ ² | <ul style="list-style-type: none"> • Differentiates between and classifies human and vehicle objects. • Filters false alarms due to leaves, lights, animals, and other inconsequential objects. • Extracts human or vehicle objects from recorded video for quick target search and retrieval. |

Intelligent Video System Functions

IVS triggers an alarm and takes a defined action for the following events:

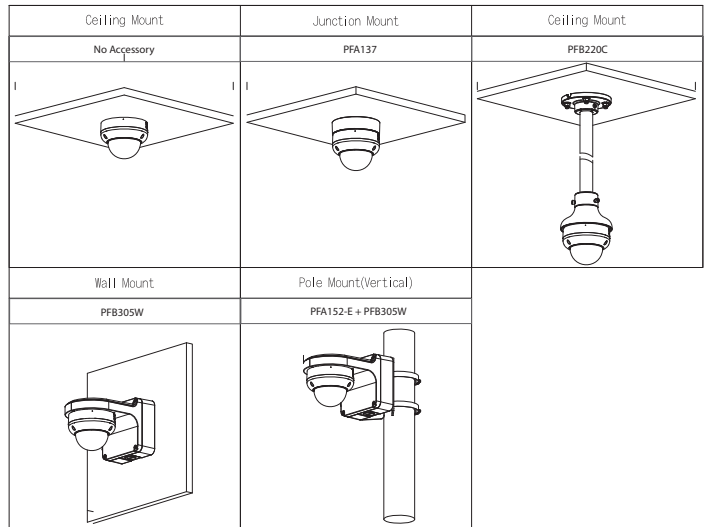
| | |
|-------------------|--|
| Standard Features | <ul style="list-style-type: none"> • Tampering with the camera. • Error writing to an onboard Micro SD card. • Error sending or receiving data over the network. • Unauthorized access to the camera. • IP Address Conflict |
| Premium Features | |
| Motion | An object moves through any part of the scene. |
| Scene Change | A person or object moves the camera to change the scene or covers the camera to obscure the scene. |

Ordering Information

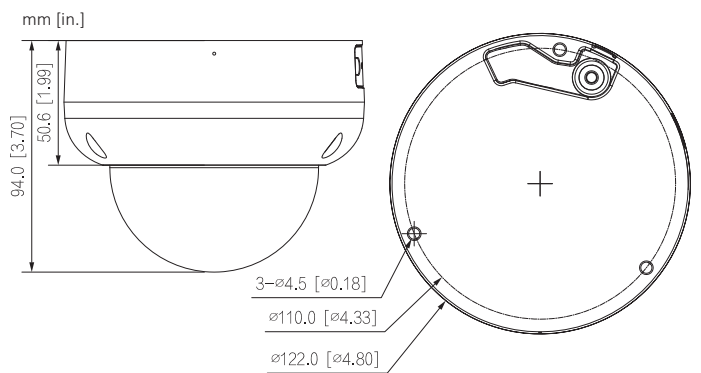
| Type | Part Number | Description |
|------------------------|---------------|--|
| Camera | N53CM6Z | SMP Enhanced Starlight Network Vari-focal Dome Camera with Smart Motion Detection+ |
| Accessories (Optional) | DH-PFA109 | Mount Adapter |
| | PFA137 | Junction Box |
| | PFA151 | Corner Mount |
| | PFA152-E | Pole Mount |
| | PFB203W | Wall Mount |
| | PFB305W | Wall Mount |
| | PFB220C | Ceiling Mount |
| | DH-PFB206W | Wall Mount with Integrated Junction Box |
| | PFA200W | Sun and Rain Shield |
| | DH-PFB200C | In-ceiling Mount |
| | DH-PFM321D-US | 12 VDC, 1 A Power Adapter |
| | PC-H49-D90 | Polycarbonate Smoke Tinted Bubble |

Accessories

Optional:



Dimensions



1. The DORI distance is a measure of the general proximity for a specific classification to help pinpoint the right camera for your needs. The DORI distance is calculated based on sensor specifications and lab test results according to EN 62676-4, the standard that defines the criteria for the Detect, Observe, Recognize and Identify classifications.
 2. Pair a Smart Motion Detection+ camera with a Dahua recording device that also offers SMD+ functionality to take advantage of SMD+ alarm filtering and object classification when searching and playing back recorded video.