

# 4MP Enhanced Starlight Network Dome Camera (Black Housing)

## True Wide Dynamic Network Camera with Smart Motion Detection+



### Wiz Sense



WizSense Series devices combine Dahua's powerful Analytics+ with an intuitive and easy to use interface. WizSense devices offer Smart Motion Detection+ and Perimeter Protection functions that focus on human and vehicular images and ignore irrelevant images to capture important video while reducing false alarms. WizSense Series devices provide powerful general security for small to medium size businesses at a sensible price.

#### System Overview

The Dahua 4MP Enhanced Starlight Network Dome Camera is ideal for a host of diverse applications. The camera has Enhanced Starlight, True Wide Dynamic Range, and IR illumination to allow the camera to operate in any lighting condition.

#### Functions

##### Perimeter Protection

Dahua Analytics+ includes Tripwire and Intrusion functions that offer custom tripwires based on object type for automation in limited access areas. Perimeter Protection requires less pixels to detect an object to deliver improved accuracy and decreased false alarms due to lights, weather, trees, or animals.

##### Smart Motion Detection+

Smart Motion Detection+, a component of Dahua's Analytics+ technology, improves alarm accuracy and decreases the number of false alarms. The advanced SMD+ algorithm analyzes a scene for human or vehicle motion, while filtering out other motion due to trees, leaves, animals, weather, and triggers an alarm when detected.

##### AI Scene Self-adaptation (AI SSA)

AI SSA (AI Scene Self-adaptation) adopts deep learning algorithms to detect environmental conditions, such as rain, fog, backlight, low light and flicker, to adjust the parameters of the image to suit the conditions, ensuring that clear images are always produced. No manual adjustments are required during initial setup or when scenes change such during as daylight savings when AI SSA is enabled.

- 1/3 in. 4MP Progress-scan CMOS Sensor
- Triple-stream Encoding
- AI Coding, Smart H.265+ and Smart H.264+ Dual Codec
- 4MP (2688 x 1520) at 30 fps, 2.8 mm Fixed Lens
- Enhanced Starlight Technology for Low-light Applications
- Analytics+ Function: Perimeter Protection, Smart Motion Detection+
- True Wide Dynamic Range (120 dB), Day/Night IR Cut Filter
- Maximum IR LED Distance of 50 m (164.04 ft)
- Built-in Microphone
- AI Scene Self-adaptation (AI SSA)
- ArcticPro Series Camera - Operational Down to -40 °C (-40 °F)
- Standard PoE
- IP67 Ingress Protection, IK10 Vandal Resistance
- Five-year Warranty\*



#### Enhanced Starlight Technology

For challenging low-light applications, Dahua's Enhanced Starlight Technology offers best-in-class light sensitivity, capturing color details in lighting as low as 0.005 lux. The camera uses a set of optical features to balance light throughout the scene, resulting in clear images in dark environment.

#### Smart H.265+

Smart H.265+ is the optimized implementation of the H.265 codec that uses a scene-adaptive encoding strategy, dynamic GOP, dynamic ROI, flexible multi-frame reference structure and intelligent noise reduction to deliver high-quality video without straining the network. Smart H.265+ technology reduces bit rate and storage requirements by up to 70% when compared to standard H.265 video compression.

#### Cybersecurity

Dahua network cameras are equipped with a series of key cybersecurity technologies including: security authentication and authorization, access control, trusted protection, encrypted transmission, and encrypted storage. These technologies improve the camera's ability to prevent malicious access and to protect data.

#### ArcticPro

The Dahua ArcticPro Series of extreme-environment cameras combine temperature-tolerant components with a waterproof enclosure to ensure flawless operation in temperatures as low as -40° C (-40° F) without the need for an internal heater. The lack of a heater reduces the camera's power consumption and saves operating costs. For applications that demand high-resolution video with advanced features in extremely cold environments, the Dahua ArcticPro Series offers a camera to satisfy the most demanding requirements.

#### Environmental

Subjected to rigorous dust and water immersion tests and certified to the IP67 Ingress Protection rating makes it suitable for demanding outdoor applications. The camera offers a wide voltage range, with a 30% input voltage tolerance, suitable for external applications with unstable power sources.

### Technical Specification

#### Camera

Image Sensor	1/3-in. 4MP CMOS
Effective Pixels	2688(H) x 1520(V)
RAM/ROM	512 MB/128 MB
Scanning System	Progressive
Electronic Shutter Speed	1/3 s to 1/100,000 s
Minimum Illumination	Color: 0.005 lux at F1.4 B/W: 0.0005lux at F1.4 0 lux at F1.4(IR on)
S/N Ratio	> 56 dB
IR Distance	Up to 50.0 m (164.04 ft)
IR On/Off Control	Auto, Manual
IR LEDs	Three (3)

#### Lens

Lens Type	Fixed Focal			
Iris Type	Fixed Aperture			
Mount Type	M12			
Focal Length	2.8 mm			
Maximum Aperture	F1.6			
Angle of View	Horizontal: 107° Vertical: 56° Diagonal: 127°			
Close Focus Distance	0.70 m (2.30 ft)			
DORI Distance <sup>1</sup>	Detect	Observe	Recognize	Identify
	63.6 m (208.66 ft)	25.40 m (83.33 ft)	12.70 m (41.67 ft)	6.40 m (21.00 ft)

#### Installation Angle

Range	Pan: 0° to 355° Tilt: 0° to 75° Rotation: 0° to 355°
-------	--

#### Video

Compression	AI Coding, Smart H.265+, H.265, Smart H.264+, H.264, H.264B, H.264H, MJPEG (Sub Stream only)	
Streaming Capability	Three (3) Streams	
Resolution	4MP (2688 x 1520), 3MP (2304 x 1296), 1080p (1920 x 1080), 1.3MP (1280 x 960), 720p (1280 x 720), D1 (704 x 480), VGA (640 x 480), CIF (352 x 240)	
Frame Rate	Main Stream	4MP (2688 x 1520) at 30 fps
	Sub Stream 1	D1 (704 x 480) at 30 fps
	Sub Stream 2	1080p (1920 x 1080) at 30 fps
Bit Rate Control	CBR/VBR	
Bit Rate	H.264: 3 Kbps to 8192 Kbps H.265: 3 Kbps to 8192 Kbps	
BLC Mode	BLC, HLC, True WDR (120 dB), SSA	
White Balance	Auto, Natural, Street Lamp, Outdoor, Manual, Regional Custom	
Gain Control	Auto, Gain Priority, Shutter Priority, Manual	
Noise Reduction	3D DNR	
Motion Detection	Off, On (4 Zones, Rectangular)	
Image Rotation	0°, 90°, 180°, 270°	
Mirror	Off, On	
Privacy Masking	Off, On (4 Areas, Rectangular)	

Advanced Features	Smart IR, SSA, AFSA, AI SSA, Defog
-------------------	------------------------------------

#### Audio

Built-in Microphone	Yes
Compression	G.711a, G.711Mu, G.726, PCM, G.723, AAC

#### Network

Ethernet	RJ-45 (10/100 Base-T)
Protocol	IPv4, IPv6, HTTP, HTTPS, TCP, UDP, ARP, RTP, RTSP, RTCP, RTMP, SMTP, FTP, SFTP, DHCP, DNS, DDNS, QoS, UPnP, NTP, Multicast, ICMP, IGMP, NFS, PPPoE, 802.1x, SNMP
Interoperability	ONVIF Profile S, G and T, CGI, P2P
Auto Register	Support
Streaming Method	Unicast/Multicast
Maximum User Access	20 Users (Max. Bandwidth: 64 Mbps)
Edge Storage	Network Attached Storage (NAS), FTP, SFTP, SD Card Slot (Max. 256 GB)
Web Viewer	Microsoft Edge, Chrome
Management Software	DSS, DMSS
Mobile Operating System	iOS, Android
Cybersecurity	Video Encryption, Firmware Encryption, Configuration Encryption, Digest, WSSE, Account Lockout, Security Logs, IP/MAC Filtering, Generating and Importing X.509 Certification, Syslog, HTTPS, 802.1x, Trusted Boot, Trusted Execution, Trusted Upgrade

#### Certifications

Safety	UL62368-1 CAN/CSA C22.2 No. 62368-1-14
Electromagnetic Compatibility (EMC)	47 CFR FCC Part 15, Subpart B

#### Interface

Audio	Input: One (1) Channel, RCA Output: One (1) Channel, RCA
Alarm	Input: One (1) Channel (5 mA, 3 to 5 VDC) Output: One (1) Channel (300 mA, 12 VDC)

#### Electrical

Power Supply	12 VDC or PoE (IEEE 802.3af)
Power Consumption	Basic: 2.8 W (12 VDC), 3.5 W (PoE) Maximum (WDR + IR intensity + Intelligence): 7.1 W (12 VDC), 8.3 W (PoE)

#### Environmental

Operating Conditions	-40° C to +60° C (-40° F to +140° F), Less than 95% RH
Storage Conditions	-40° C to +60° C (-40° F to +140° F)
Ingress Protection	IP67
Vandal Resistance	IK10

#### Environmental

Casing	Metal
Dimensions	111.7 mm x 89.1 mm (4.40 in. x 3.51 in.)
Net Weight	0.516 kg (1.14 lb)
Gross Weight	0.670 kg (1.48 lb)

## Analytics+ Functions

Perimeter Protection	<ul style="list-style-type: none"> <li>Detects human or vehicle violations using the following methods:                             <ul style="list-style-type: none"> <li><b>Tripwire:</b> a target crosses a defined line.</li> <li><b>Intrusion:</b> a target enters or exits a defined perimeter.</li> </ul> </li> <li>Monitors a combination of 10 detection methods.</li> <li>Search and retrieve video based on target type.</li> </ul>
Smart Motion Detection+ <sup>2</sup>	<ul style="list-style-type: none"> <li>Differentiates between and classifies human and vehicle objects.</li> <li>Filters false alarms due to leaves, lights, animals, and other inconsequential objects.</li> <li>Extracts human or vehicle objects from recorded video for quick target search and retrieval.</li> </ul>

## Intelligent Video System Functions

IVS triggers an alarm and takes a defined action for the following events:

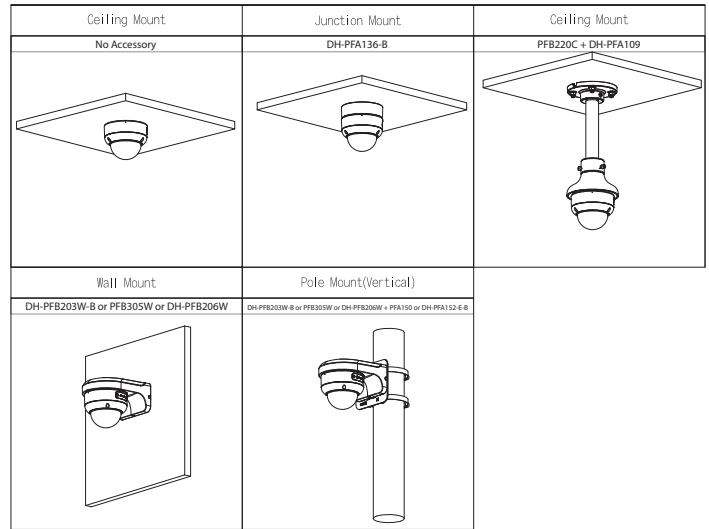
Standard Features	<ul style="list-style-type: none"> <li>Tampering with the camera.</li> <li>Error writing to an onboard Micro SD card.</li> <li>Error sending or receiving data over the network.</li> <li>Unauthorized access to the camera.</li> <li>IP Address Conflict</li> </ul>
Premium Features	
Motion	An object moves through any part of the scene.
Scene Change	A person or object moves the camera to change the scene or covers the camera to obscure the scene.

## Ordering Information

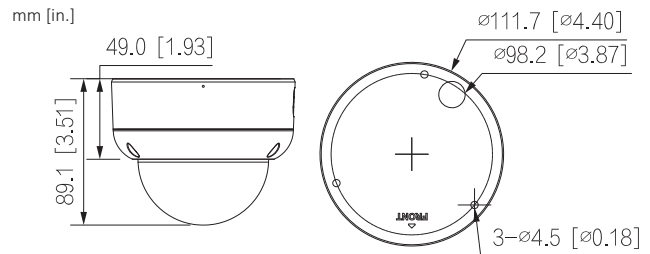
Type	Part Number	Description
Camera	N43CL62-B	4MP Enhanced Starlight Network Dome Camera with Smart Motion Detection+ (Black Housing)
Accessories (Optional)	DH-PFA109	Mount Adapter
	DH-PFA136-B	Junction Box (Black)
	DH-PFA151-B	Corner Mount(Black)
	DH-PFA152-E-B	Pole Mount (Black)
	DH-PFA200G	Gang Box Adapter
	PFA200W	Sun/Rain Shield
	DH-PFB203W-B	Wall Mount (Black)
	PFB220C	Ceiling Mount
	PFB305W	Wall Mount
	DH-PFM321D-US	12 VDC, 1 A Power Adapter
	PC-H45-D84.8	Polycarbonate Smoke Tinted Bubble

## Accessories

Optional:



## Dimensions



1. The DORI distance is a measure of the general proximity for a specific classification to help pinpoint the right camera for your needs. The DORI distance is calculated based on sensor specifications and lab test results according to EN 62676-4, the standard that defines the criteria for the Detect, Observe, Recognize and Identify classifications.  
 2. Pair a Smart Motion Detection+ camera with a Dahua recording device that also offers SMD+ functionality to take advantage of SMD+ alarm filtering and object classification when searching and playing back recorded video.