

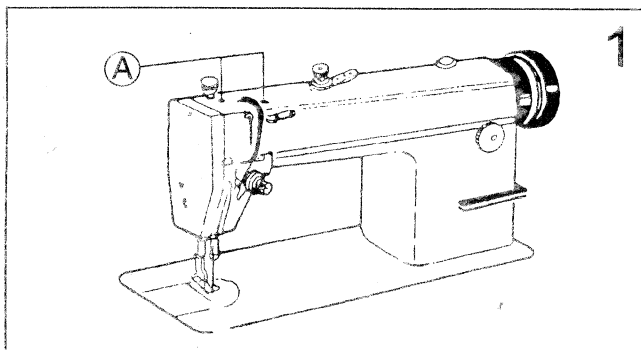


**7360R-2SS**

**INSTRUCTION MANUAL  
AND PARTS LIST**



★ 注意(图1) BEFORE OPERATION (FIG.1)

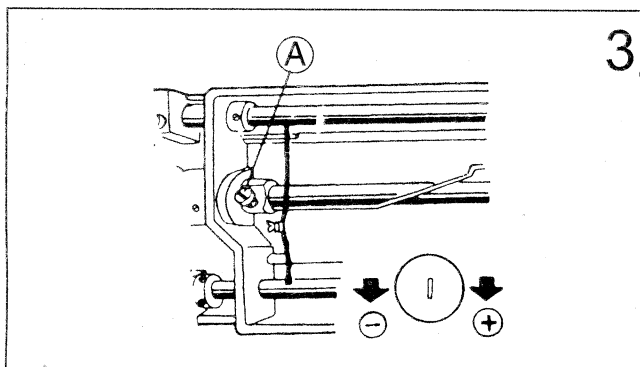


新机器在开始使用时,先卸下机头上部的橡皮塞A,充分加油,然后抬起压脚进行低速盖2000多转/分,观察油窗喷油情况,润滑正常后,仍须保持低速运转30分钟,以后逐步提高速度,充分磨合大约需一个月左右。

Pull out the nibber plug (A) before starting the machine, and fill enough oil. Lift the presser foot and please take note of oil splashing through oil sight window when make the machine running at about 2000r.p.m.

After lubrication, please keep low speed running about 30 minutes, and then enhance the speed accordingly.

2. 放梭油量调节(图3) ADJUSTING THE LUBRICATION OF ROTARY HOOK (FIG.3)



旋梭的油量,可以用油量调节螺钉A加以调节。按图示“+”号方向旋转,油量增加,“-”号方向旋转,油量减少。

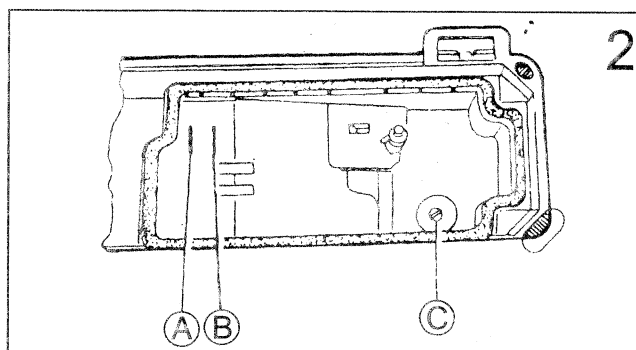
The lubrication of the rotary hook can be adjusted by oil adjusting screw (A). Turn oil adjusting screw (A) to + to increase the oil and turn to - to decrease the oil.

4. 安装机针(图5) REPLACE NEEDLE (FIG.5)

将机针的长槽A朝向操作者的左面,把针柄插入针孔内,一定要接触到针杆孔的底部,再旋紧夹针螺钉,固定机针。

Keep the long groove of the needle leftward, insert the needle shank up to the bottom of the socket, then tighten the needle clamp Screw and fix the needle.

1. 油盘注油(图2) LUBRICATION (FIG.2)



1、油量必须按油盘内标记加注,图中标记A是油量最高位,B是油量最低位,当油量下减到B以下时,请及时补充油量。

2、换油:旋松放油螺钉C,排净废油,打扫油盘污尘,旋紧放油螺钉C,加注新油。

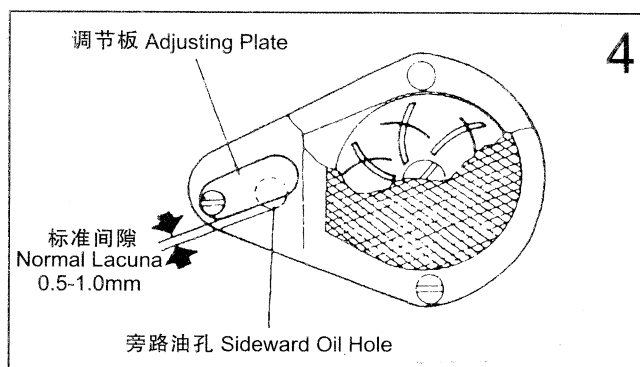
※ 请使用本公司指定的特18#缝纫机油。

1. Required amount of oil line (A) on the oil reservoir max oil level. Line(B) on the oil reservoir: min oil level please supply more oil when oil level goes down under line (B).

2. Oil charging: revolve screw(C) and release the rust-preventure oil and clean the oil pan. Tighten the screw(C) and lubricate with new oil.

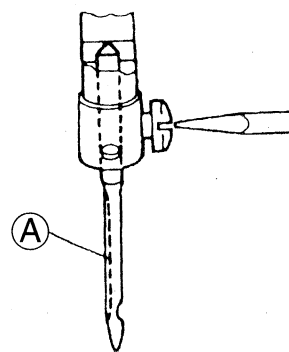
※ Please use the 18# machine oil of the company.

3. 油泵进油调节(图4) LUBRICATION ADJUSTMENT (FIG.4)



通常情况下,不作油泵进油调节,在低速运转时,观察油窗,未见油现象,请合拢间隙。

In ordinary operation, adjustment is not requirement for the oil pump. If oil splashing does not occur in the oil sight window, at low speed running, please reduce the clearance of the by-pass hole.



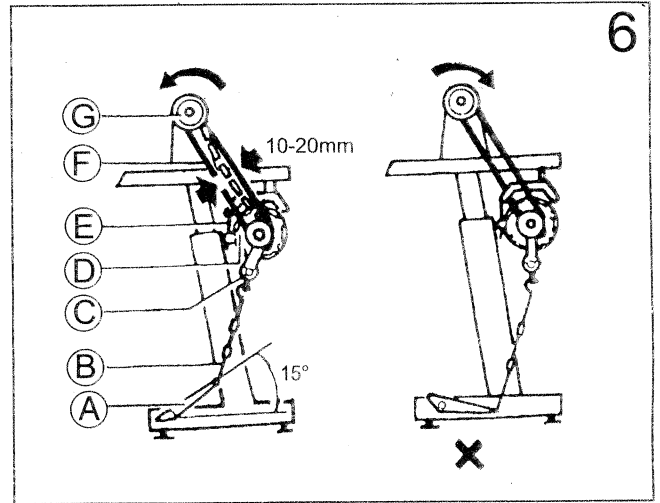
## 5. 踏脚板与离合器拉杆连接(图6) BAR(B) RUN IN LINE AS SHOWN IN (FIG.6)

- 1、踏脚板安装的倾斜度应与地面以15度为宜。
- 2、调整电动机离合器使缝纫机拉杆B与离合器拉杆C(如图6)连成一直线。
- 3、缝纫机转动方向，从机头主动轮外侧看，应是逆时针方向，与电动机转向一致。电动机转向可用电动机上的电源插头转换180度调整转向。
- 4、Z型皮带F的张力调整，由电动机移动上下位置来达到F皮带张力的大小，可用手指将皮带按下，使皮带如图示弯曲10-20毫米即可。

1) The optimum tilt angle of pedal is approximately is 15 degree.  
2) Adjust clutch cover so that clutch lever (C) and Draw Bar (B) run in line as shown in Fig.6.

3) The balance wheel should rotate counter clockwise when viewed from the outside of balance wheel. The direction of the motor pulley rotation can be reversed by reversing turning over (180°) the power plug of the motor.

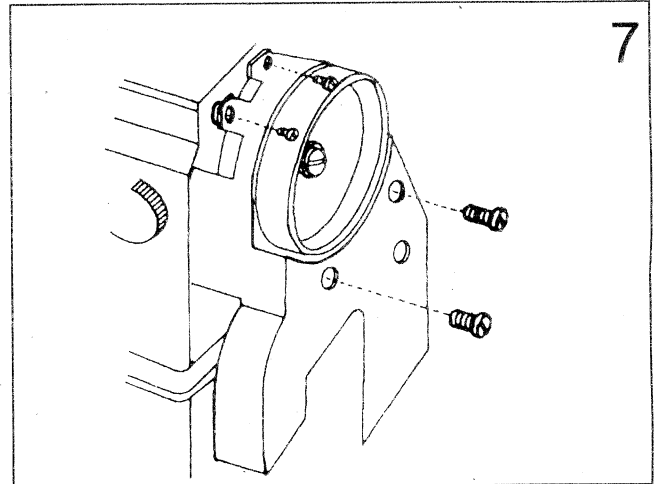
4) Adjust the tension of Z-belt (F) by turning motor vertical position screw. The proper tension of the Z-belt (F) is slack of 10-20mm when the belt is depressed at the center of the belt by finger.



## 6. 安装皮带罩(图7) FIXING STRAP COVER(FIG.7)

从安全考虑，应安装皮带罩。

Strap cover should be fixed while considering safty.



## 7. 松线器挺线调节(图8) LOOSENING THREAD MACHINE ADJUSTMENT (FIG.8)

压脚在提升范围，夹线器上的夹线板有一个张开期，挺线的时间可进行调节。调节时，先卸下机头背面的橡皮塞，用螺丝刀B旋松膝控提升杠杆(左)螺钉A，这时松线凸轮D可以左右移动，往右移挺线慢，往左移挺线快。

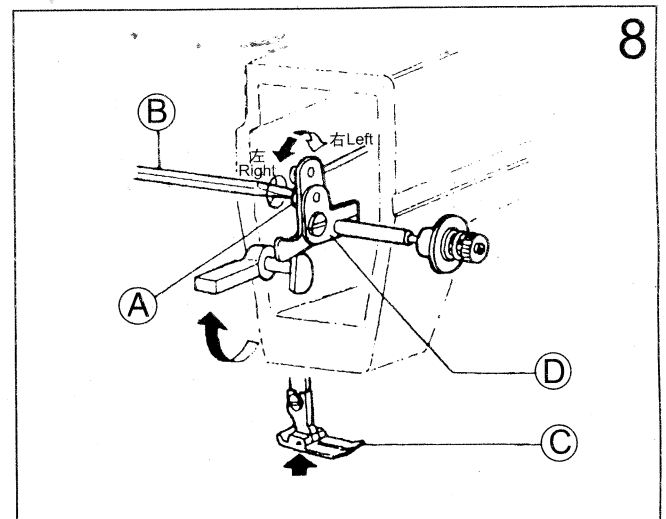
调节时，如有条件的话，在压脚C下垫上一块与压脚提升高度尺寸相等的垫块，则调节时方便。

Within the presser foot lift range, opening time of the tension discs can be adjusted as follows:

1) Remove the rubber plug from back of arm and loosen screw (A) of knee lifter lever (left).

2) Move the tension releasing can leftward for earlier opening or rightward for later opening. It will facilitate the adjustment to put under the presser foot a block as thick as the presser foot lift.

3) After the adjustment, fully tighten screw(A).

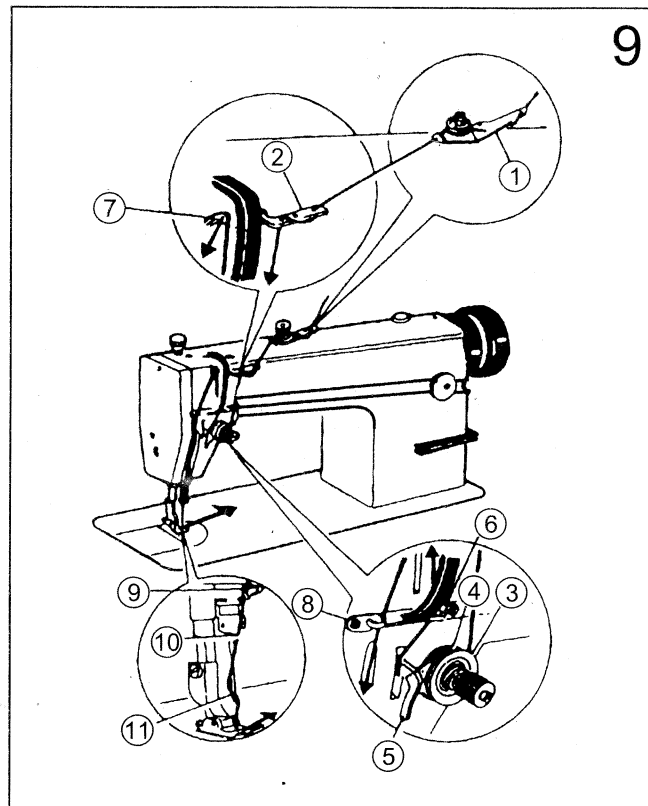


## 8. 穿线(图9) THREADING (FIG.9)

穿面线时挑线杆一般在最高位置，然后由线架上引出线头按顺序穿线。

引底线时，先将面线头捏住，转动主动轮使针杆向下运动，再回到最高位置，然后拉起捏住的面线线头，底线即被牵引上来，最后将底、面二根线头一起置于压脚下前方。

To thread the needle thread, raise needle bar to the upper end of its stroke, lead the thread from spool and perform threading as shown in Fig.13.To draw the bobbin thread hold the end of the needle thread and turn the balance wheel to lower the needle bar and then to lift it to its highest position. Pull the needle thread and the bobbin thread is drawn up. Put the ends of needle thread and bobbin thread forward under presser foot.



## 9. 安装绕线器及绕线方法(图10) BOBBIN WINDER ADJUSTMENT (FIG.10)

将绕线轮对准皮带的外边，其之间应有一定的空隙，保证按下绕线摆杆时，绕线轮和皮带能相互接触，机器转动时，皮带使绕线轮一起转动。

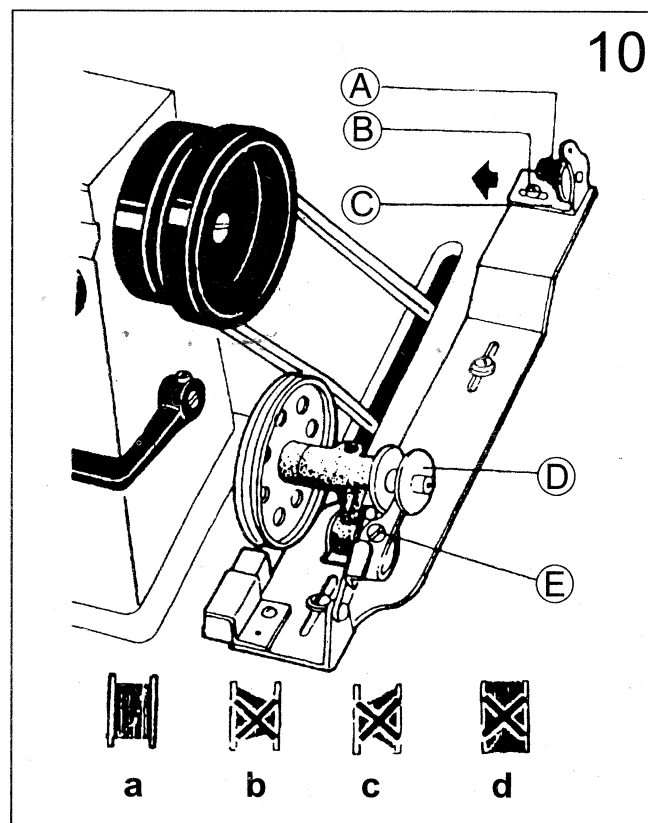
梭芯线应排列整齐而紧密。如松浮不紧，可以加大过线架夹线板A的压力，如排列不齐，则要移动过线架C的左右位置进行调整，单边绕线成图b时，向右移动过线架，单边绕线成C时，向左移动过线架。

适当的绕线量为平行绕线至梭芯外径的80%，绕线量由满线跳板上的满线调节螺钉E加以调节。

Make bobbin wheel aim at the outside of the strap, leave a space between them. Make sure when bobbin rob was pressed, the bobbin wheel and strap can be contacted, then when machine is working, strap can make bobbin wheel turning together.

The wound bobbin thread should be neat and tight, if not, adjust the winding tension by turning. Tesion stud nut (A) of bobbin winder tension bracket.

The optimum length of thread will fill about 80% of bobbin capacity. This can be adjusted by adjusting screw (E) of bobbin winder stop latch.



## 10. 压脚压力调节(图11) ADJUST THE PRESSURE OF PRESSER FOOT (FIG.11)

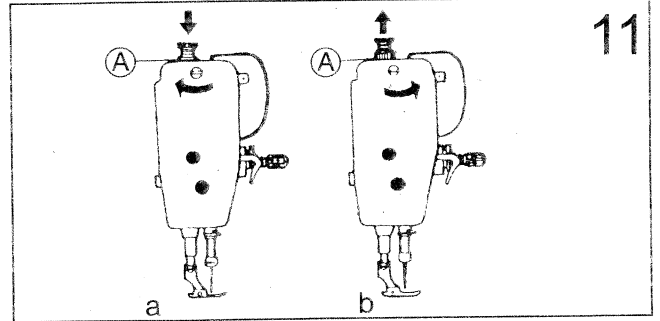
压脚的压力,要根据缝料的厚度加以调节。首先旋松调节螺钉锁紧螺母A,缝纫厚料时,应加大压脚压力,将机头顶部的调压螺钉向a所示方向转动。缝纫薄料时,向b所示的方向转动,以减小压脚的压力,最后旋紧调节螺钉锁紧螺母A。

压脚的压力,应以能正常推送缝料为宜。

Pressure of presser foot is to be adjusted in accordance with thickness of materials to be sewn.

First loosen lock nut (A) for heavy materials, turn the pressure regulating thumb screw as shown in fig (B) to decrease the pressure, then tighten lock nut (A).

The pressure of presser foot is recommended to be less as long as normal feeding is ensured.



11

## 11. 线张力调节(图12.13.14) THREAD TENSION ADJUSTMENT (FIG.12,13,14)

变弱  
Sirengthen

变强  
Weaken

正确的线迹

8mm to 10mm. When sewing very thin fabrics at short stitch length decrease the thread take-up spring tension and increase the thread take-up spring stroke but for very thick fabrics, increase the spring tension and decrease the spring stroke.

The standard tension of thread takeup spring is about 25g, and its stroke runs\*from

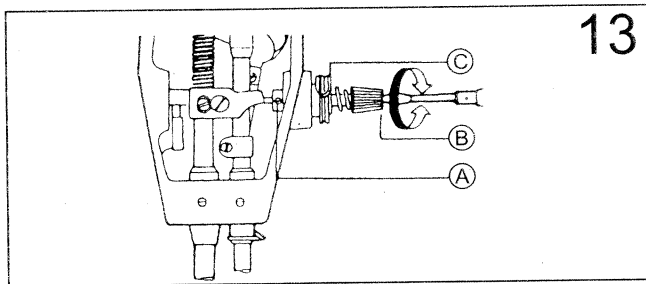
12

缝线的张力要依据缝纫出来的线迹,来调整底、面线的张力。

底线的张力: 旋转梭芯套上梭皮螺钉A进行调节。梭芯装入梭芯套后,捏住线头,吊起梭芯套,梭芯套则能缓缓下落为宜。

面线张力: 旋转夹线螺母进行调节。Thread tension is adjusted according to the stitches obtained the needle thread tension should be adjusted with reference to the bobbin thread tension: Hold the end of the thread from delivery eye. If the bobbin case is falling slowly the proper tension is obtained.

The needle thread tesion: circumrotate tension screw should be adjusted.

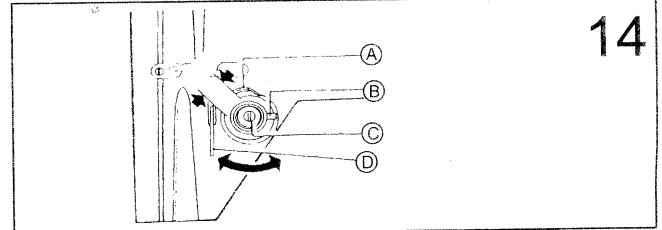


13

挑线簧摆动幅度为8-10毫米,缝纫薄料要减弱挑线簧的张力和放宽其摆动幅度,缝制特别厚的缝料则反之。

挑线簧张力调节方法: 先旋松夹线调节螺钉A,夹线螺钉B就能转动,顺时针转动时,张力增加,反之则减少。

Adjusting the thread take-up spring tension: Loosen set screw (A), turn tension stud (B) clockwist to increase the spring tension. Or turn the stud counter-clockwise to decrease the spring tension.



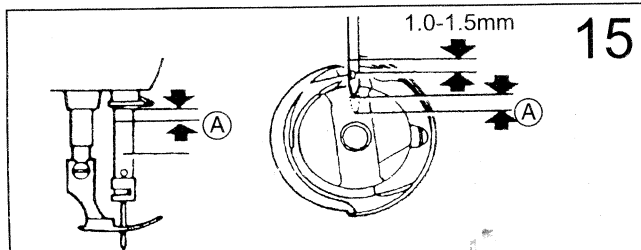
14

挑线簧摆动幅度的调节: 旋松夹线调节座固定螺钉B,转动夹线器C,调节其摆动幅度,夹线器C顺时针转动,摆动幅度增大,反之则减少。

Adjusting the thread take-up spring stroke.

Loosen set screw (B), turn stud(C) clockwise to increase the stroke or turn stud(C) counter clockwise to decrease the stroke. After the adjustment tighten set screw (B). Before leaving the factory, the thread take-up spring has properly been adjusted. Readjustment is needed only in the case of special material or special thread.

## 12. 机针与旋梭的位置调整(图15.16) TIME NEEDLE TO ROTATING HOOK (FIG.15,16)

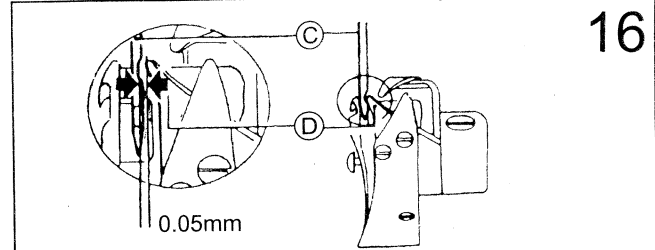


15

把针杆从最低位置上升到距离A时,旋梭的钩线尖D应与机针C的中心线重合。此时,钩线尖D应高于机针线孔上边1.0-1.5毫米。

Time needle to rotating hook.

The standard hook point timing is to align hook point D and needle centerline (C) should superposition when hook point raise to A from the lowest position. Besides, Hook point (D) should be 1.0-1.5mm above the upper end of needle eye(E).



16

旋梭尖与机针的侧面间隙为0.05毫米。

The clearance between roating hook point and hook point should be approx 0.05mm.

机 型	距 离 A	2.2mm	2mm	2.4mm

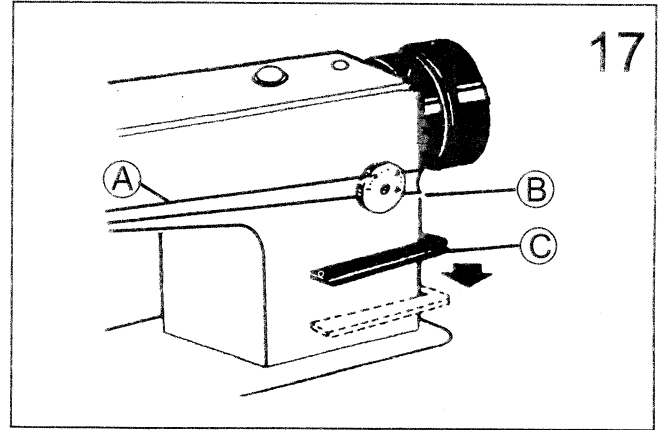
### 13. 针距、倒顺送料(图17) STITCH LENGTH, BACK FEED (FIG.17)

针距的长短，可以转动针距盘A来调节。针距标盘B上的数字表示针距长短尺寸（单位为毫米），调针距的同时，另一手要按压操作杆C。

倒向送料时，将倒缝操作杆C，向下按压，手旋松后，倒缝操作杆C自动复位，恢复顺向送料。

The stitch length can be adjusted by running stitch length tray-A. The figures on stitch length tray-B shows stitch length and size(mm). Another hand should hold the joy stick while adjusting stitch length.

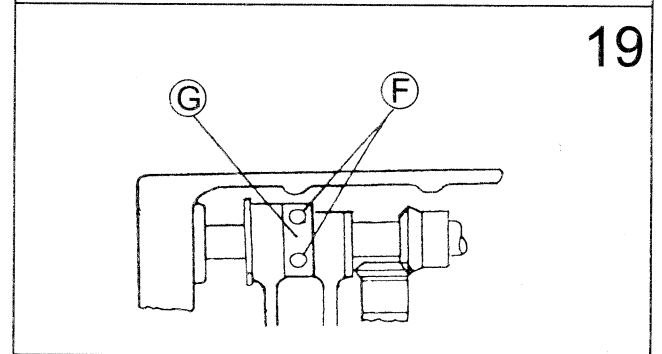
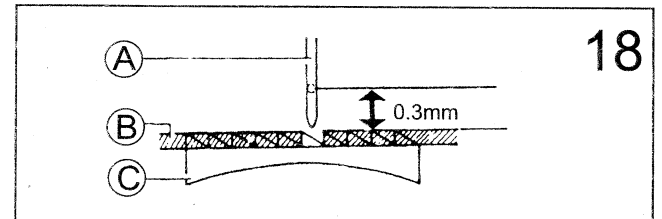
Falling down the back-sewing joy stick when back feed. After loosening hand, the back-sewing joy stick will renew automatically and feed deasil.



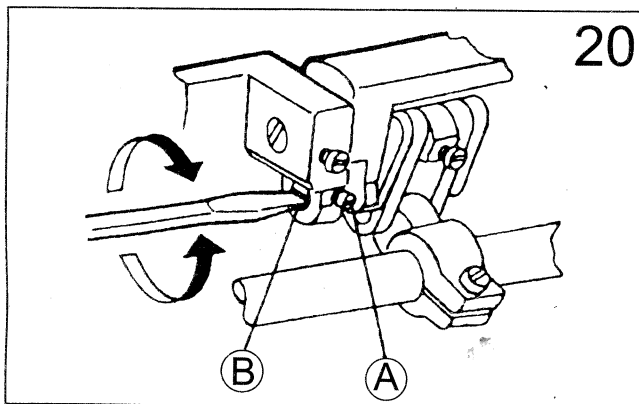
### 14. 送布牙与机针位置的调整(图18.19) ADJUSTING THE PLACE OF FEED DOG AND STITCH (FIG.18,19)

对送布牙G的位置调整，先松开凸轮两个螺钉F转动主动轮，使机针A的尖端，下降到针板面B时，送布牙C尖端与针板B高低一致，此为标准同步位置。调节完毕，拧紧螺钉F。

Adjusting the feed dog, should loosen two screw first and then running the driver, and make sure the stitch cusp fall to the stitch plate. It's in the standard space when the height of feed dog and stitch plate are consistent. After adjusting, tighten screw-F.



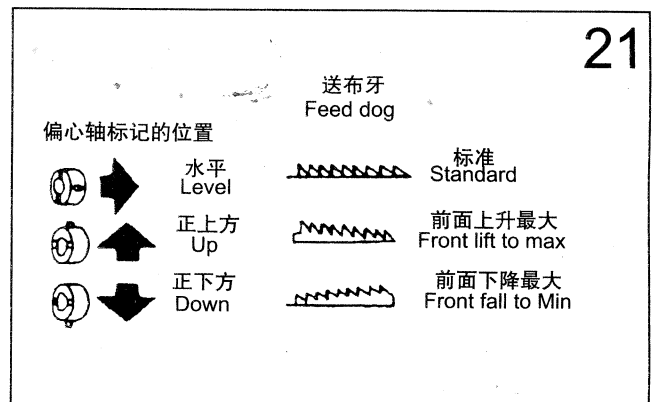
### 15. 倒顺针距误差调节(图20) ADJUSTING THE ERROR OF TOWARDS AND BACKWARDS STITCH LENGTH (FIG.20)



旋松螺钉A，旋转“连杆偏心轴”B，向右旋，顺缝针距变小，倒缝针距变大，向左旋，顺缝针距变大，倒缝针距变小。

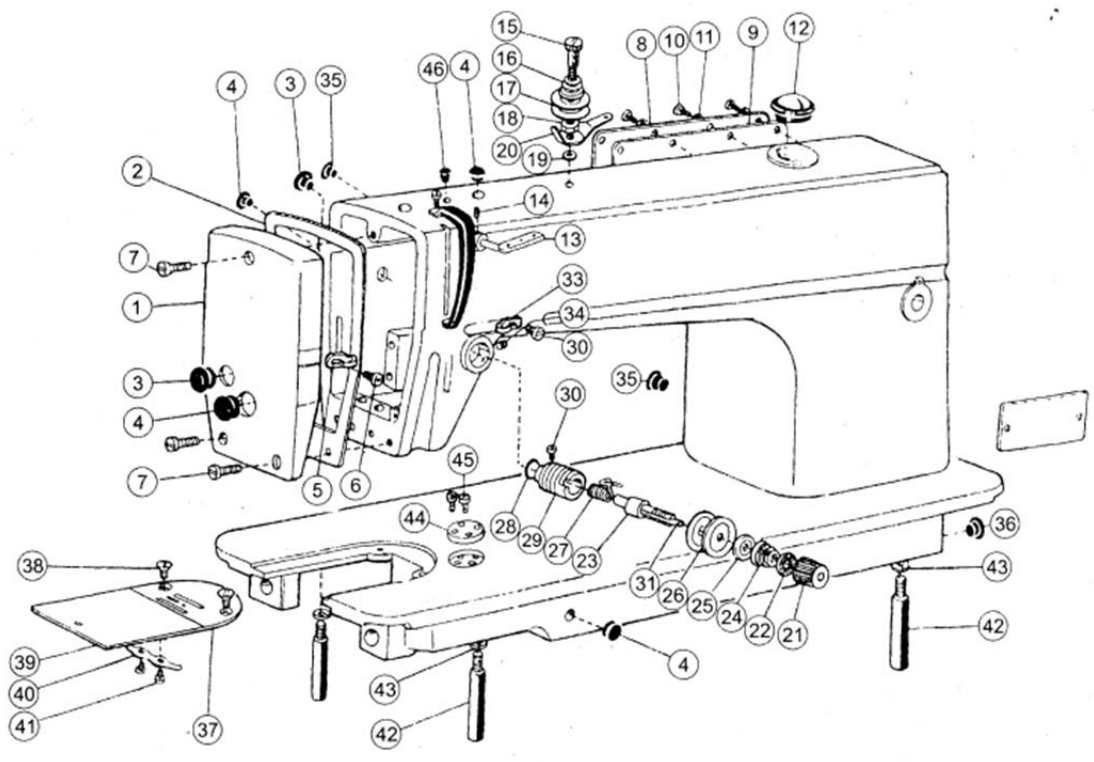
Loosening screw-A and circumrotating "link lever partial shaft", if turned right, the deasil stitch length turn narrow; contrarily, back-sewing stitch length will turn narrow while deasil stitch length turn wide.

### 16. 送布牙倾斜调节(图21) FEED DOG INCLINE ADJUSTMENT (FIG.21)



送布牙前面高时、可防止布料起缩，不容易出现空针，送布牙前面低时，可防止布料跑偏，底线不易断。

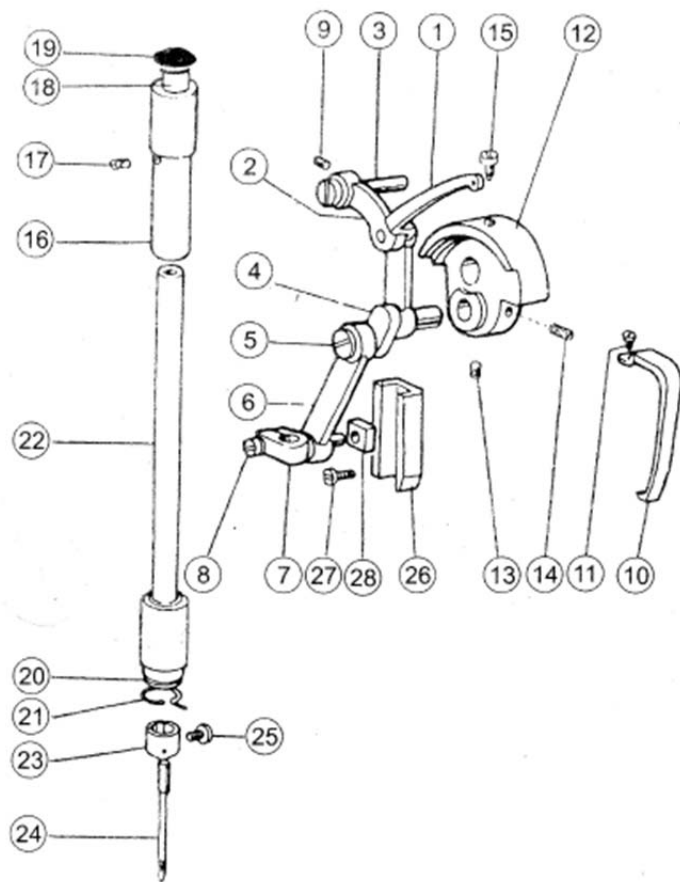
When the head of feed dog is higher, cloth can avoid shrinking, it's not easy to have empty done; reversely, it can avoid cloth deflect and the bottom thread is not easy to break.





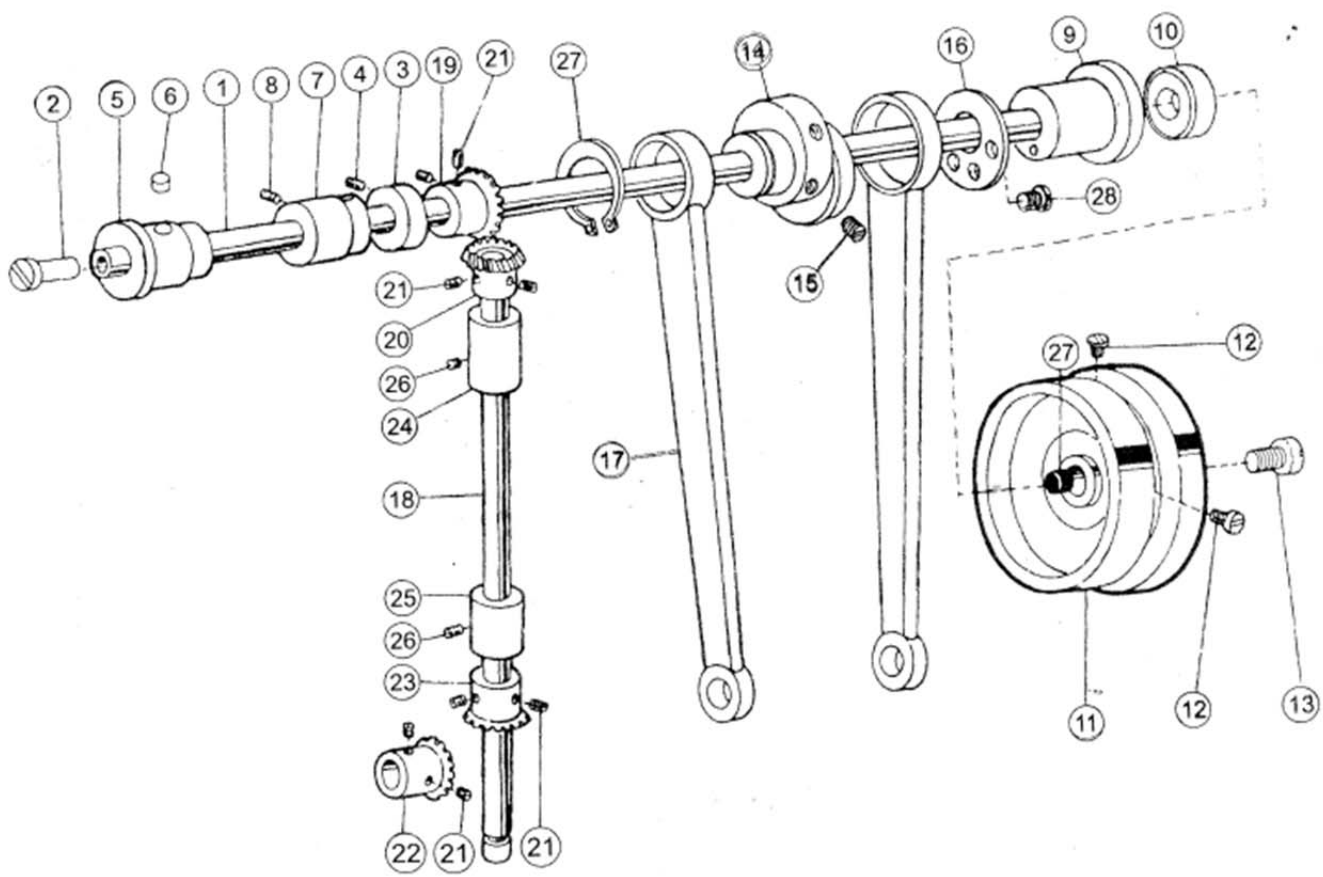
## 1. COVER COMPONENTS

Ref. No	Part No.	Name	Qty
1	100-1400	Face plate arm	1
2	100-1401	Gasket	1
3	100-1287	Rubber plug ( $\phi 19$ )	1
4	100-1288	Rubber plug ( $\phi 11.8$ )	3
5	100-1003	Screw	1
6	100-1005	Thread eyelet screw	1
7	100-1002	Face plate screw	3
8	100-1402	Behind cover	1
9	100-1403	Behind cover washer plate	1
10	100-1054	Behind cover screw	8
11	200-1377	Behind cover screw gasket	8
12	100-1404	Oil sight window components	1
13	100-1405	Three-hole thread eyelet	1
14	100-1406	Three-hole thread eyelet screw	1
15	100-1407	Small tension screw	1
16	100-1408	Small tension spring	1
17	200-1074	Small tension disc	2
18	100-1409	Small tension disc gasket	1
19	100-1410	Snap ring	1
20	100-1411	Small tension thread guide plate	1
21	100-1412	Tension knob	1
22	100-1023	Tension knob stopper	1
23	100-1015	Tension screw	1
24	100-1413	Tension spring	1
25	100-1018	Tension disc holder	1
26	100-1019	Tension disc	2
27	100-1020	Take-up spring	1
28	100-1024	Rubber ring	1
29	100-1021	Tension set	1
30	100-1022	Tension set screw	1
31	100-1414	Thread release pin	1
32	100-1025	Tension set fixing screw	1
33	100-1004	Thread eyelet	1
34	100-1005	Thread eyelet screw	1
35	100-1289	Rubber ( $\phi 8.8$ )	2
36	100-1290	Rubber ( $\phi 27$ )	1
37	100-1415	Throat plate	1
38	100-1044	Throat plate screw	2
39	100-1416	Bed slide assembly	1
40	100-1417	Bed slide spring	1
41	100-1418	Bed slide spring screw	2
42	100-1419	Bed plate stud	3
43	100-1420	Spring ring	2
44	100-1421	Tension set	1
45	100-1422	Tension set screw	2
46	100-1291	Rubber ( $\phi 5.7$ )	1



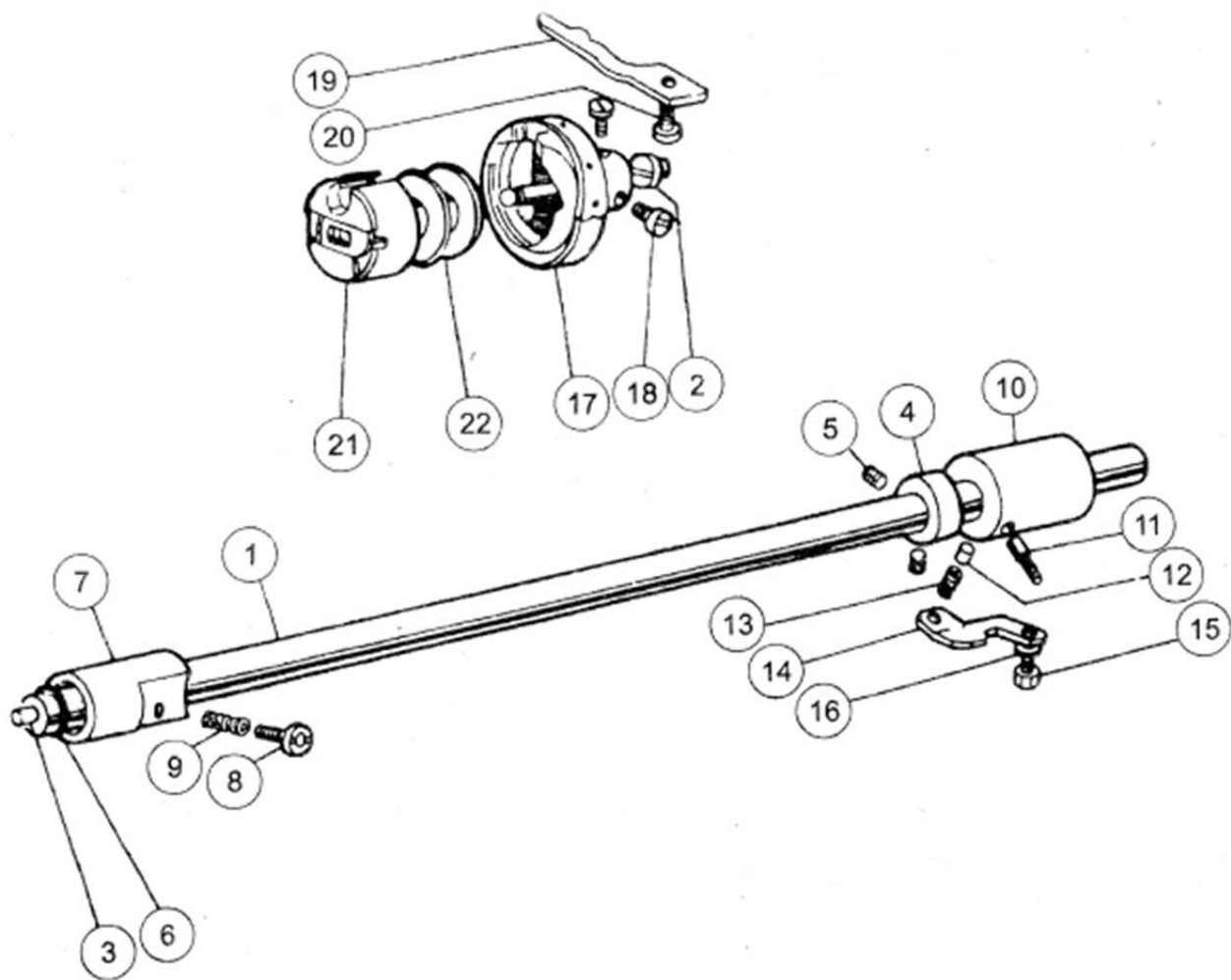
## 2. THREAD TAKE-UP COMPONENTS

Ref. No	Part No.	Name	Qty
1	100-1423	Thread take-up components	1
2	100-1424	Thread take-up lever link	1
3	100-1425	Hinge shaft of jointed lever for cross stitching	1
4	100-1426	Thread take-up assembly	1
4a	100-1427	Needle shaft bushing	2
5	100-1428	Screw (left twist)	1
6	100-1429	Needle bar crank rod	1
7	100-1430	Needle bar connecting rod	1
8	100-1431	Screw	1
9	100-1432	Screw	1
10	100-1433	Thread take-up lever cover	1
11	100-1027	Screw	1
12	100-1434	Needle bar brace	1
13	100-1435	Screw	2
14	100-1436	Screw	1
15	100-1437	Screw	1
16	100-1072	Needle bar bush (upper)	1
17	100-1438	Screw	1
18	100-1439	Felt plug of pin holder sleeve (up)	1
19	100-1073	Rubber plug	1
20	100-1440	Needle bar bush lower	1
21	100-1441	Needle bar thread guide	1
22	100-1442	Needle bar	1
23	100-1443	Thread finger	1
24	100-1444	Needle (DBx1) 14#	1
25	200-1166	Screw	1
26	100-1445	Needle bar connecting link guide	1
27	100-1123	Screw	2
28	100-1446	Slide block	1



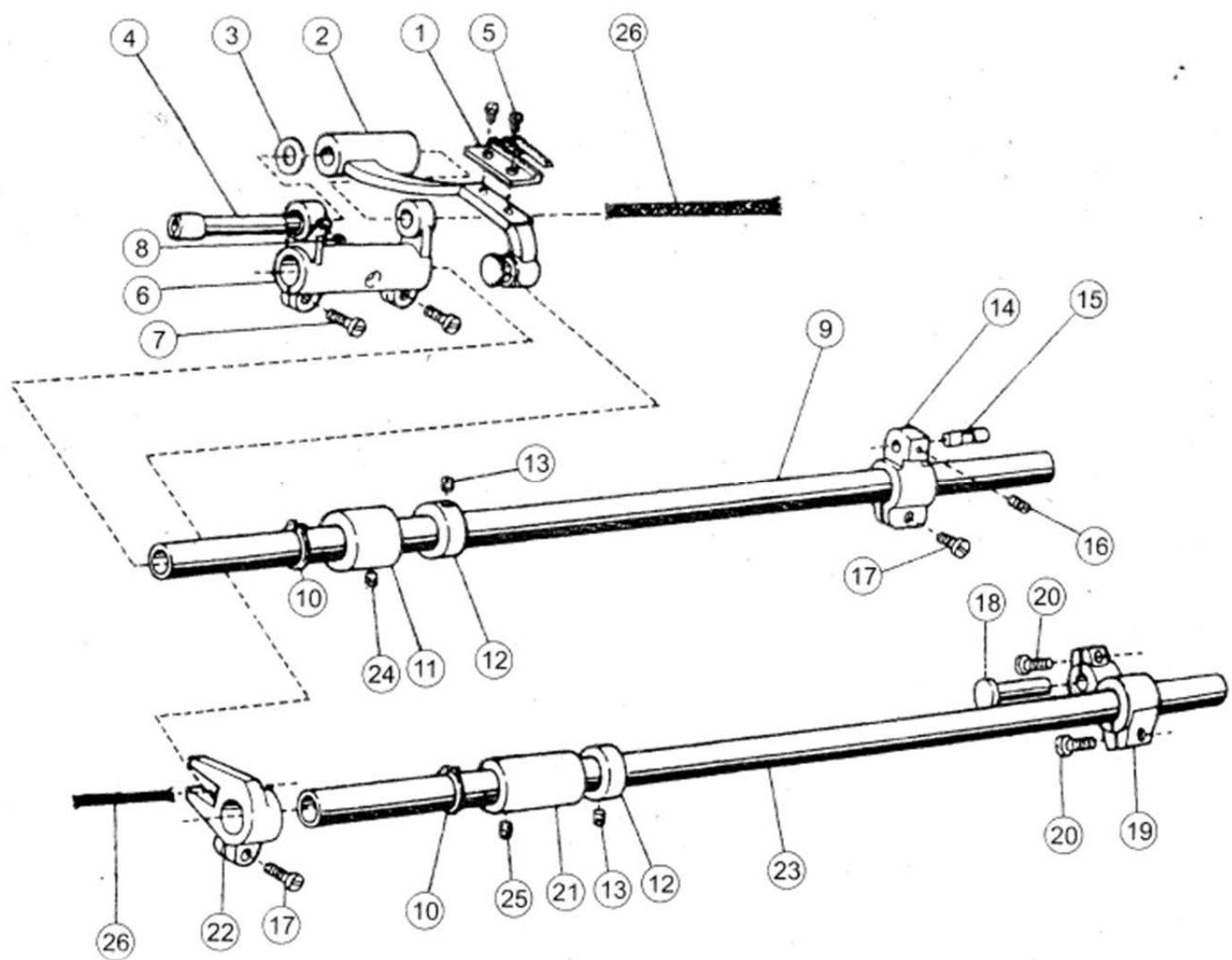
### 3. MAIN SHAFT & UPRIGHT SHAFT

Ref. No	Part No.	Name	Qty
1	100-1447	Main shaft	1
2	100-1448	Screw	1
3	100-1057	Thrust collar assembly	1
4	400-1105	Screw	2
5	100-1449	Main shaft bush (left)	1
6	100-1450	Oil felt	1
7	100-1451	Main shaft bushing (middle)	1
8	100-1432	Screw	1
9	100-1453	Main shaft bushing (right)	1
10	100-1454	Main shaft bushing oil seal	1
11	100-1455	Hand wheel	2
12	100-1456	Screw	1
13	100-1457	End screw	1
14	100-1458	Cam	1
15	100-1025	Screw of cam	1
16	100-1177	Plate of cam	1
17	100-1178	Connecting rod	1
18	100-1459	Upright shaft	1
19	100-1460	Gear assembly	1
20	100-1461	Pinion assembly (upper)	1
21	400-1203	Screw	8
22	100-1462	Pinion assembly (lower)	1
23	100-1463	Gear assembly (lower)	1
24	100-1464	Bushing (upper)	1
25	100-1464	Bushing (lower)	1
26	100-1432	Screw	2
27	100-1467	Collar of feed driving connecting rod	1
28	100-1468	Screw	3



#### 4. HOOK DRIVING SHAFT COMPONENTS

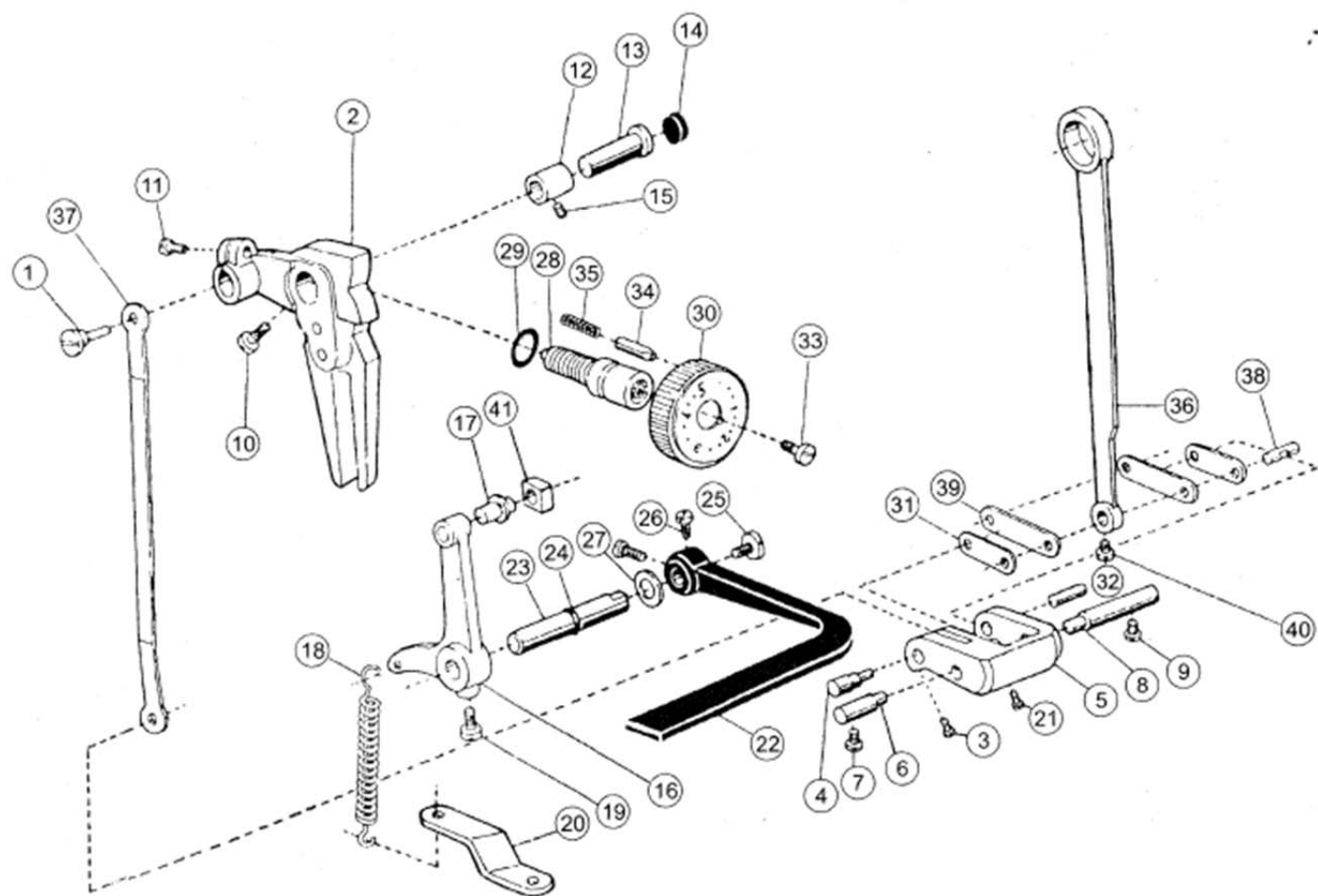
Ref. No	Part No.	Name	Qty
1	100-1253	Hook driving shaft	1
2	100-1255	Oil seal screw	1
3	100-1254	Oil seal	1
4	100-1259	Thrust collar asm	1
5	100-1438	Screw	2
6	100-1470	Thrust collar asm	1
7	100-1471	Hook driving shaft (left)	1
8	100-1257	Oil adjusting screw	1
9	100-1258	Oil adjusting spring	1
10	100-1472	Hook driving shaft (right)	1
11	100-1268	Oil pipe	1
12	100-1473	Plunger	1
13	100-1474	Plunger spring	1
14	100-1263	Guard plate	1
15	100-1277	Screw	1
16	100-1420	Spring washer	1
17	100-1476	Hook component	1
18	100-1477	Screw	2
19	100-1478	Hook set guide	1
20	100-1266	Screw	1
21	100-1479	Bobbin bushing components	1
22	100-1480	Bobbin	1





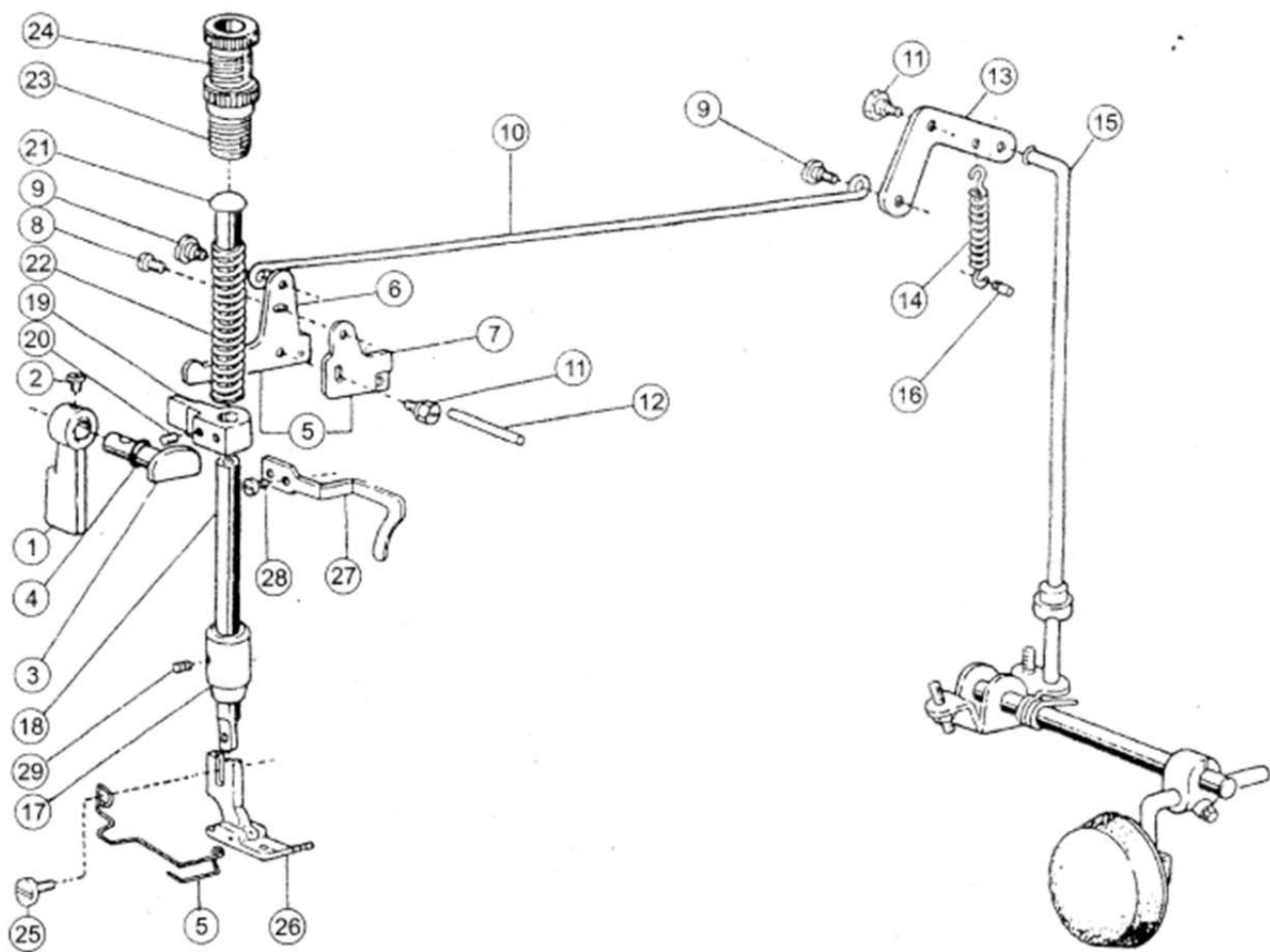
## 5. FEED MECHANISM COMPONENTS

Ref. No	Part No.	Name	Qty
1	100-1481	Feed dog	1
2	100-1482	Feed bar component	1
3	100-1483	Feed bar washer	1
4	100-1119	Feed dog asm shaft	1
5	100-1484	Feed dog screw	2
6	100-1485	Feed driving rocker	1
7	100-1486	Screw	2
8	100-1123	Screw	1
9	100-1487	Feed rocker shaft	1
10	100-1488	Retaining ring	2
11	100-1489	Feed rocker shaft bushing	1
12	100-1490	Thrust collar asm	2
13	400-1105	Screw	4
14	100-1491	Feed rocker shaft crank asm (right)	1
15	100-1492	Pin	1
16	100-1129	Screw	1
17	400-1027	Screw	2
18	100-1131	Pin	1
19	100-1493	Feed driving shaft asm	1
20	100-1494	Screw	2
21	100-1495	Thrust collar bush (left)	1
22	100-1134	Feed driving fork	1
23	100-1496	Feed driving shaft	1
24	100-1438	Screw	1
25	100-1432	Screw	1
26	100-1499	Oil thread	2



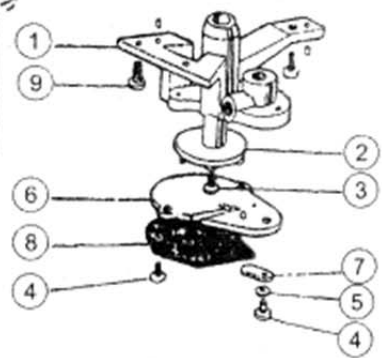
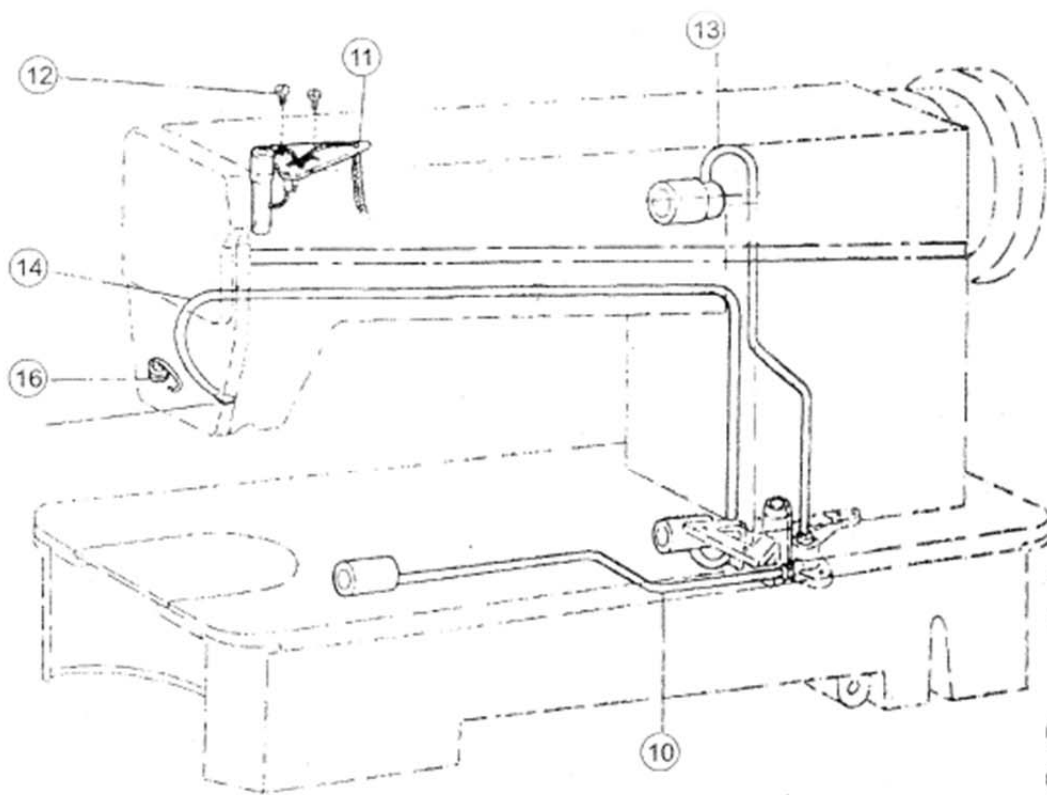
## 6. FEED ADJUSTMENT COMPONENTS

Ref. No	Part No.	Name	Qty
1	100-1500	Stitch length adjusting link lever screw	1
2	100-1501	Stitch length set	1
3	100-1169	Link lever partial shaft screw	1
4	100-1170	Link lever partial shaft	1
5	100-1171	Stitch length adjusting handle	1
6	100-1502	Stitch length adjusting handle pitching screw (left)	1
7	400-1027	Left pitching screw	1
8	100-1503	Stitch length adjusting handle pitching screw (right)	1
9	400-1027	Right pitching screw	1
10	100-1139	Stitch length set screw	1
11	100-1123	Stitch length set tension screw	1
12	100-1504	Stitch length set shaft sheath	1
13	100-1141	Stitch length set shaft	1
14	100-1505	Rubber ( $\phi$ 20)	1
15	100-1432	Screw	1
16	100-1507	Back- sewing joy stick handle	1
17	100-1508	Joy stick handle pulling shaft	1
18	100-1509	Joy stick handle pulling spring	1
19	100-1145	Joy stick handle screw	1
20	100-1510	Pulling spring shelf	1
21	100-1168	Short stitch length screw	1
22	100-1511	Reverse feed control lever	1
23	100-1512	Feed reverse shaft (short)	1
24	100-1513	Rubber ring	1
25	700-1260	End screw	1
26	100-1139	Screw	2
27	100-1514	Washer	1
28	100-1515	Feed regulator screw	1
29	100-1516	Rubber ring	1
30	100-1517	Feed dial	1
31	100-1518	Connecting link	1
32	100-1167	Walking foot pin	1
33	100-1519	Screw	1
34	100-1520	Stopper pin	1
35	100-1158	Stopper pin spring	1
36	100-1521	Connecting rod	1
37	100-1522	Bar	1
38	100-1523	Walking foot pin	1
39	100-1165	Walking foot link	2
40	100-1129	Screw	1
41	100-1524	Slide block	1



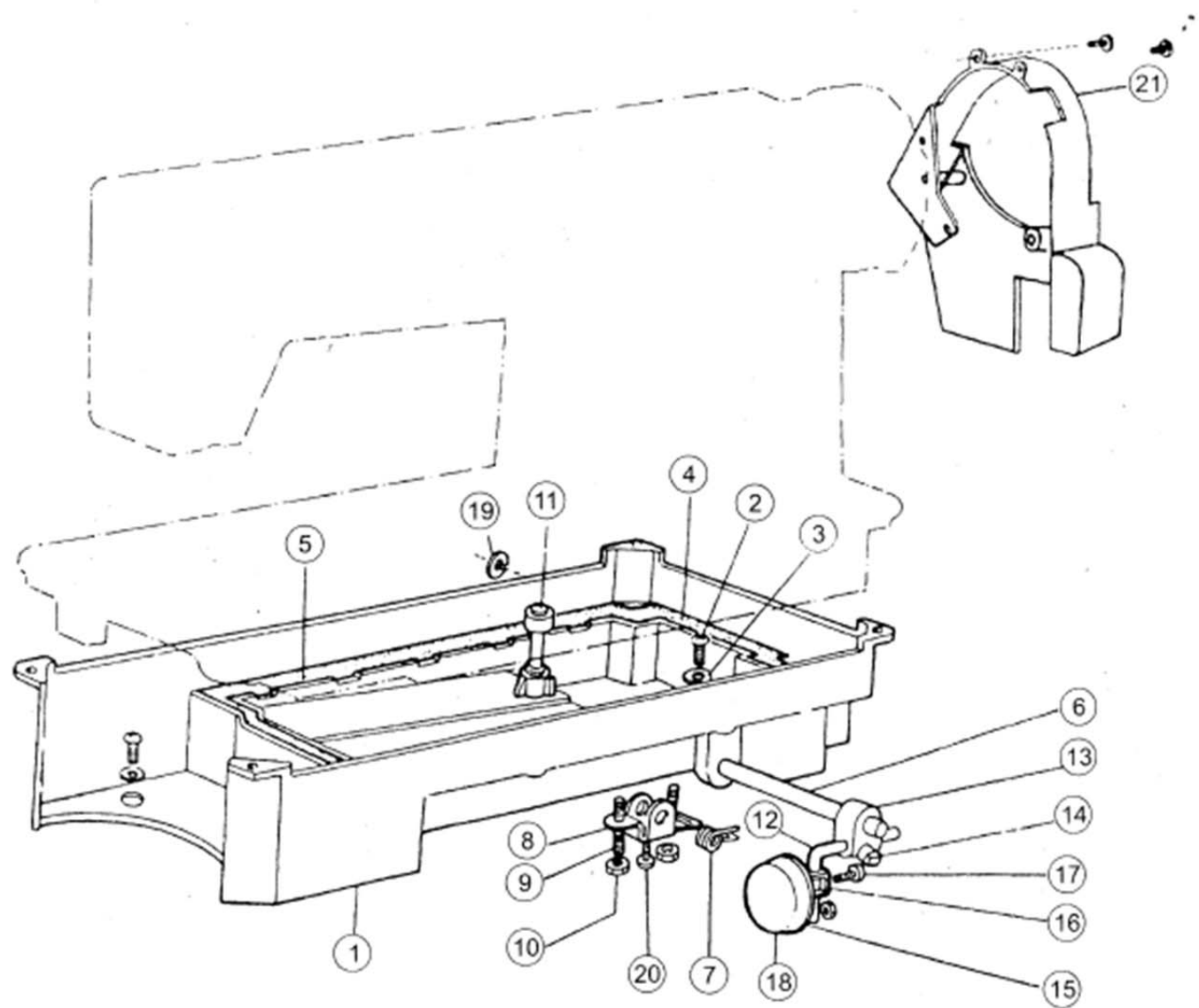
## 7. PRESSER COMPONENTS

Ref. No	Part No.	Name	Qty
1	100-1525	Hand lifter lever	1
2	100-1054	Hand lifter lever screw	1
3	100-1526	Hand lifter cam asm	1
4	100-1513	Rubber ring	1
5	100-1528	Hand lifter protecting spring	1
6	100-1094	Lifting lever link shaft (left)	1
7	100-1529	Tension release plate	1
8	100-1096	Lifting lever link shaft screw (left)	1
9	100-1097	Screw	2
10	100-1530	Lifting lever connecting rod	1
11	100-1531	Tension released plate screw	1
12	100-1532	Release rod	1
13	100-1100	Lifting lever link shaft (right)	1
14	100-1101	Lifting lever link shaft spring (right)	1
15	100-1533	Lifting lever connecting rod	1
16	100-1103	Spring pin	1
17	100-1534	Presser lever shaft bushing	1
18	100-1535	Presser lever	1
19	100-1536	Guided bracket for pressing lever	1
20	100-1025	Guided rack, s screw of pressing lever	1
21	100-1537	Guided pole	1
22	100-1538	Spring of pressing lever	1
23	100-1539	Presser spring regulator	1
24	100-1540	Nut	1
25	700-1292	Hand lifter screw	1
26	100-1541	Presser components	1
27	100-1542	Line hook	1
28	100-1027	Screw	1
29	100-1543	Screw	1



## 8. OIL PUMP ASM

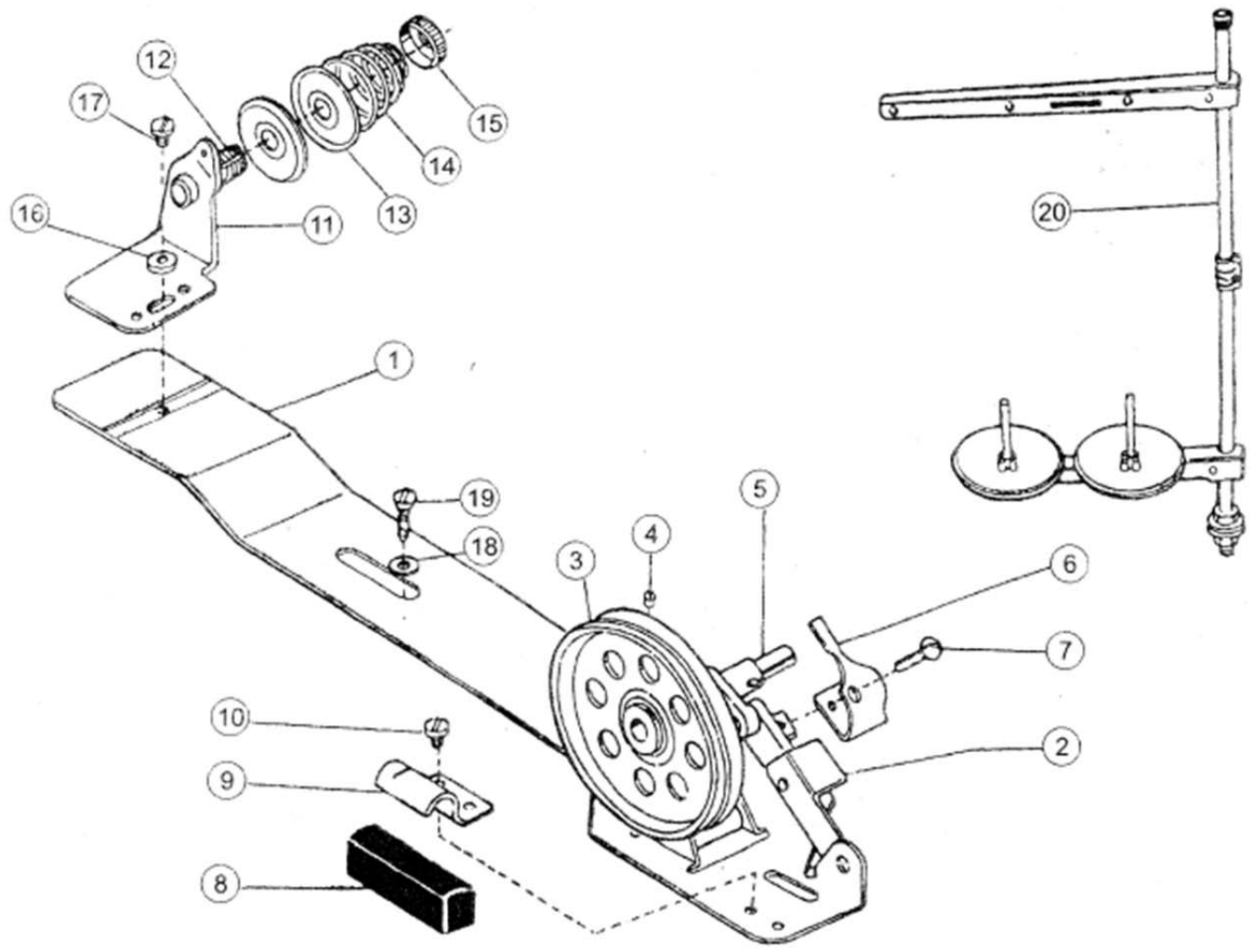
Ref. No	Part No.	Name	Qty
1	100-1544	Oil pump	1
2	100-1545	Oil pump impeller	1
3	100-1546	Oil pump impeller screw	1
4	100-1547	Oil pump adjusting base	3
5	100-1548	Spring gasket	1
6	100-1549	Lubricating oil pump cover	1
7	100-1275	Oil adjusting plate	1
8	100-1550	Oil pump filter asm	1
9	100-1277	Oil pump screw	3
10	100-1551	Lower shaft oil tube	1
11	100-1552	Components of locating board for oil line	1
12	100-1112	Screw of locating board for oil line	2
13	100-1281	Upper shaft oil tube components	1
14	100-1553	Oil return tube	1
15	100-1554	Tapis of oil return tube	1
16	100-1555	Oil return tube holder	1





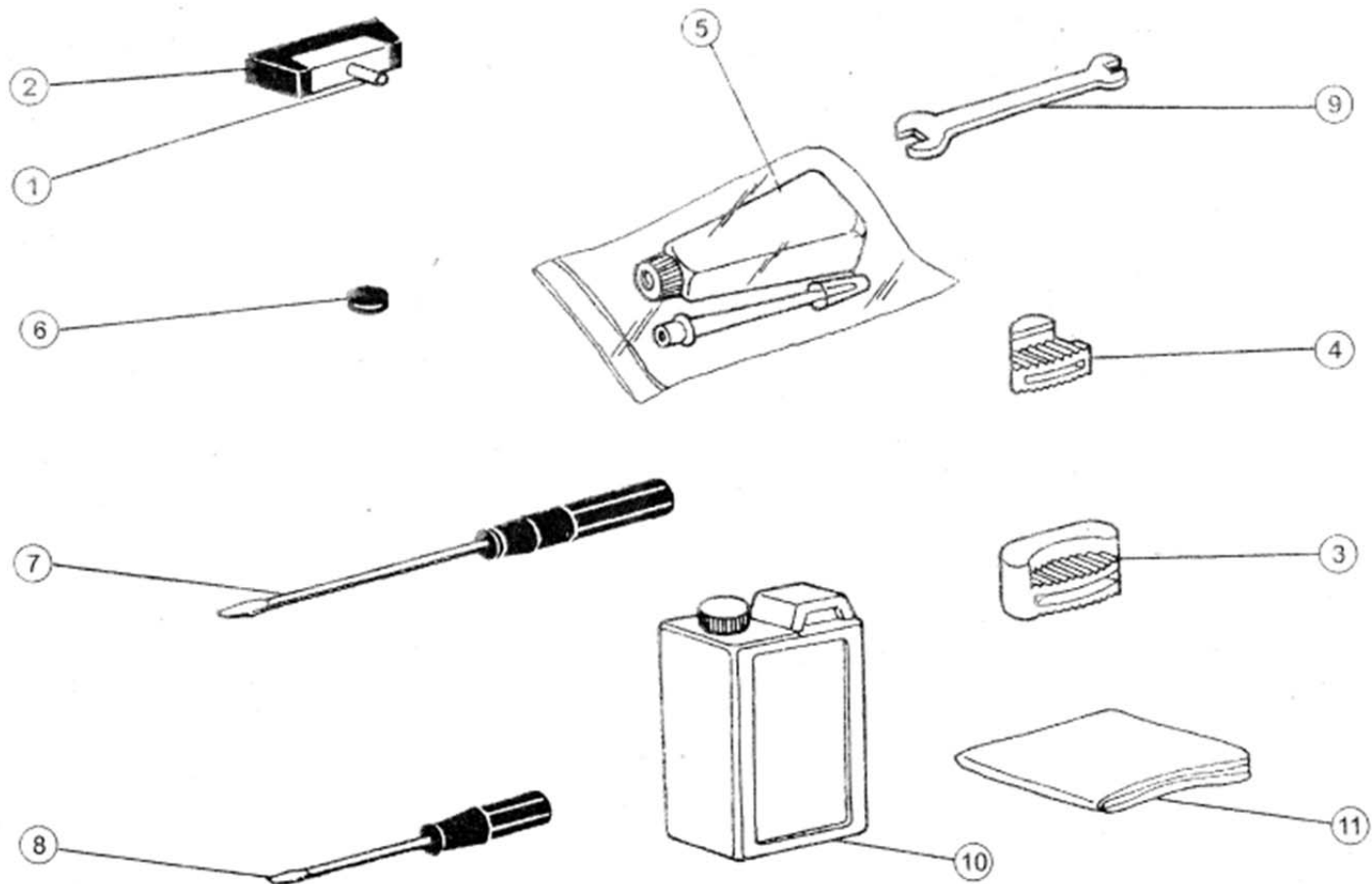
## 9. OIL RESERVOIR COMPONENTS

Ref. No	Part No.	Name	Qty
1	100-1556	Oil reservoir asm	1
2	200-1371	Oil drain screw	1
3	100-1305	Oil drain cap gasket	1
4	100-1557	Gasket (big)	1
5	100-1558	Gasket (small)	1
6	100-1321	Knee press rod	1
7	100-1322	Spring	1
8	100-1323	Knee-controlled throttling frame	1
9	100-1324	Screw	2
10	100-1325	Nut	2
11	100-1559	Knee-controlled lifting standing lever	1
12	100-1329	Knee-lifter plate rod	1
13	100-1327	Bearing bracket	1
14	100-1560	Screw	2
15	100-1330	Knee press plate	1
16	100-1331	Knee press plate frame	1
17	100-1332	Screw	1
18	100-1333	Knee press plate cover	1
19	100-1410	Thrust ring	1
20	100-1326	Screw	1
21	100-1562	Belt cover asm	1



## 10. BOBBIN WINDER COMPONENTS

Ref. No	Part No.	Name	Qty
1	100-1563	Bobbin winder base asm	1
2	100-1564	Bobbin winder swing lever asm	1
3	100-1565	Bobbin winder asm	1
4	100-1566	Set screw	1
5	100-1567	Bobbin winder shaft	1
6	100-1568	Bobbin winder frame rod	1
7	100-1569	Screw	1
8	100-1570	Rubber brake stopper	1
9	100-1571	Locating hook	1
10	100-1572	Screw	1
11	100-1573	Thread tension bracket	1
12	100-1574	Hinge screw	1
13	100-1019	Tension disc	2
14	100-1575	Spring	1
15	100-1576	Tension stud-nut	1
16	100-1577	Washer	1
17	100-1027	Screw	1
18	100-1577	Wood screw washer	2
19	100-1579	Wood screw	2
20	100-1580	Thread frame components	1



## 11. ATTACHMENTS

Ref. No	Part No.	Name	Qty
1	100-1310	Machine hinge	2
2	100-1311	Machine hinge plate	2
3	200-1356	Vibration-proof cushion (big)	2
4	200-1357	Vibration-proof cushion (small)	2
5	100-1581	Small oil reservoir	1
6	100-1308	Magnet	1
7	100-1582	Screw driver (big)	1
8	100-1583	Screw driver (small)	1
9	100-1584	Double end wrench	1
10	100-1585	Oil Tank	1
11	200-1367	Vinyl cover	1
12	100-1586	Rest pin	1