

Nexus® WASHLET®+ S550e Close Coupled Toilet - 1.28 GPF

FEATURES

- Concealed supply connection for seamless installation
- TORNADO FLUSH® system, high-efficiency (1.28 GPF/4.8 LPF)
- CEFIONTECT® ceramic glaze prevents debris and mold from sticking to ceramic surfaces
- Completely skirted design for a sleek and understated look that's easier to clean
- Universal Height
- 12" Rough-in
- Chrome plated trip lever
- Elongated front bowl and WASHLET+ S550e and tank set
- EWATER+® auto-cleans wand and bowl
- On-demand remote function cleans wand with EWATER+
- PREMIST of bowl before each use
- Remote control operated
- Auto Flush available as upgrade
- Auto Open / Close Lid
- Night light

MODELS & COMPONENTS

- **MW4423056CEFGA (#01)**
With CEFIONTECT ceramic glaze, WASHLET+ S550e with contemporary design and Auto Flush
 - **CT442CUFGT40**
Elongated bowl with CEFIONTECT
 - **ST442EA**
Tank and cover only
 - **SW3056AT40**
WASHLET+ S550e - Auto Flush compatible
 - **9AU321-A**
WASHLET Adapter
 - **THU767**
Auto Flush Kit
 - **MW4423056CEFG (#01)**
Same as MW4423056CEFGA without Auto Flush
 - **CT442CUFGT40**
Elongated bowl with CEFIONTECT
 - **ST442EA**
Tank and cover only
 - **SW3056T40**
WASHLET+ S550e - Non Auto Flush compatible
 - **9AU321-A**
WASHLET Adapter
- Optional Components**
- **TSU010W.14**
14" Unifit Rough-In
 - **THU750#01**
Trip Lever - Cotton
 - **THU750#PN**
Trip Lever - Polished Nickel
 - **THU750#BN**
Trip Lever - Brushed Nickel

COLORS/FINISHES

- #01 Cotton



- **TORNADO FLUSH**
- **EWATER+**
- **CEFIONTECT**
- **Auto Flush**
- **Universal Height**

PRODUCT SPECIFICATION

The two-piece high-efficiency TORNADO FLUSH system toilet shall be 1.28 GPF/4.8 LPF. Toilet shall be 12" Unifit rough-in. Toilet shall have CEFIONTECT ceramic glaze and be at Universal Height. Toilet shall have elongated front bowl and Polished Chrome trip lever. Toilet shall be TOTO Model MW4423056CEFG_____.

See SW3056(A)T40 Specification Sheet for details on included WASHLET.

CODES/STANDARDS

- Meets or exceeds ASME A112.19.2/CSA B45.1
- Certifications: IAPMO(cUPC), EPA Watersense, State of Massachusetts, City of Los Angeles, and others
- Code compliance: UPC, IPC, NSPC, NPC Canada, and others
- Legislative Compliance: California AB715, California Green Building Code, City of Los Angeles Water Efficiency Ordinance
- ADA compliant (when installed with trip lever located on the approach side)
- Complies with CA Prop 65 warning requirements



MW4423056CEFG(A)

Nexus® WASHLET®+ S550e Close Coupled Toilet - 1.28 GPF

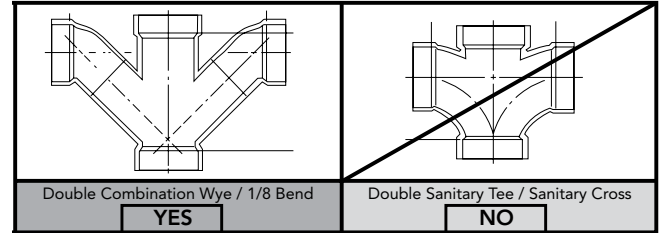
SPECIFICATIONS

Water Use	1.28 GPF (4.8 LPF)
Flush System	TORNADO FLUSH®
Min. Water Pressure	8 psi (Static)
Water Surface	6-5/8" x 9-1/8"
Trap Diameter	2-1/8"
Rough-in	12" (14" Optional)
Trap Seal	2-1/4"
Warranty	One Year Limited Warranty
Material	Vitreous China
Shipping Weight	CT442CUF(G)T40 87 lbs
	ST442EA 25 lbs
Shipping Dimensions	CT442CUF(G)T40 29-3/4" L x 18-1/4" W x 18-3/4" H
	ST442EA 17-1/4" L x 7-7/8" W x 17-1/2" H

INSTALLATION NOTES

Back-to-Back Toilet Installations:

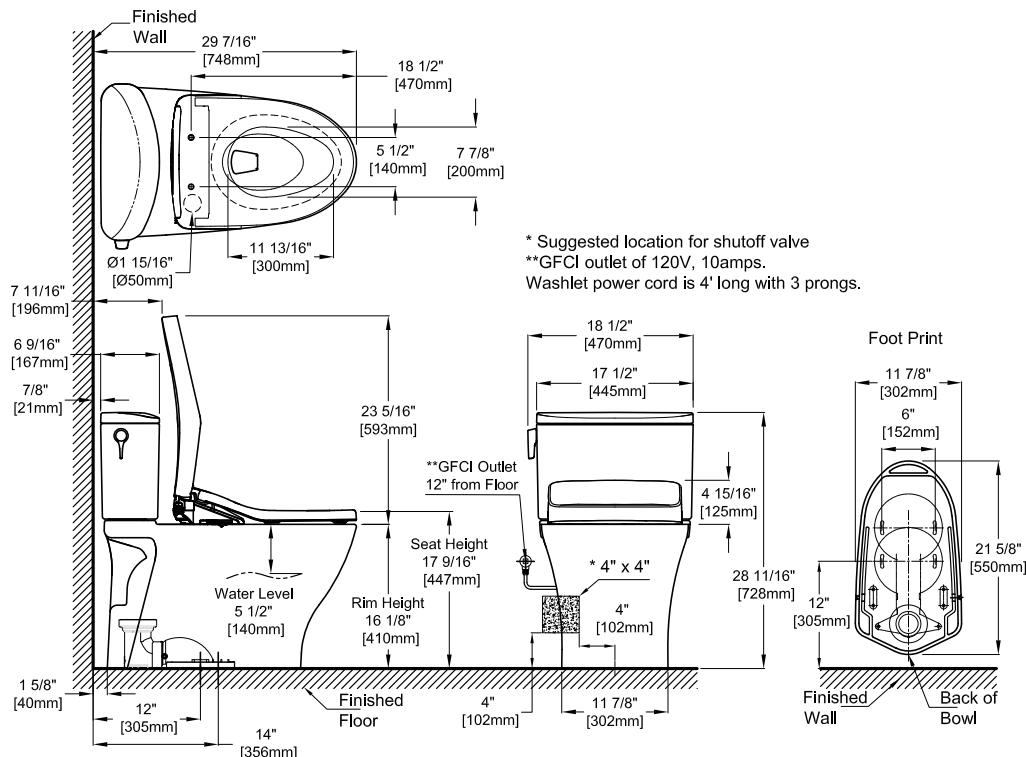
TOTO recommends the use of a nationally listed, double sanitary tee-wye only, in vertical waste stacks, in accordance with the stipulations noted in the majority of nationally recognized plumbing codes.



To maintain adequate wall gap between the back of the tank and wall, mount the floor flange at a nominal 12" rough-in distance.

See SW3056(A)T40 Specification Sheet for details on included WASHLET.

DIMENSIONS



TOTO®

These dimensions and specifications are subject to change without notice