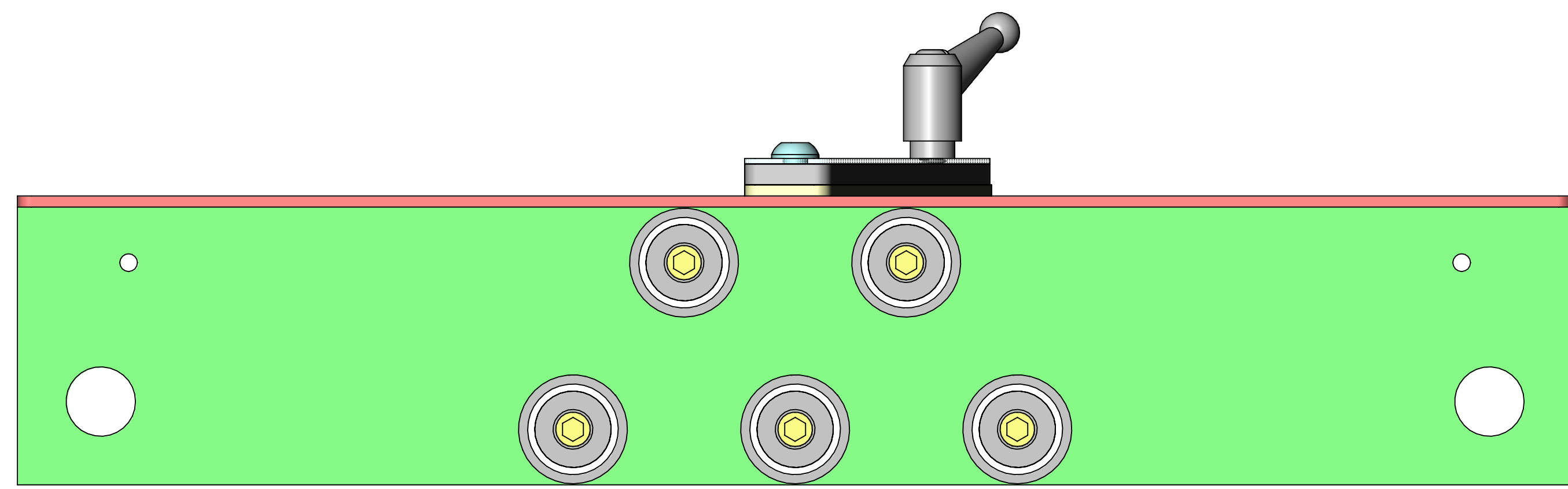
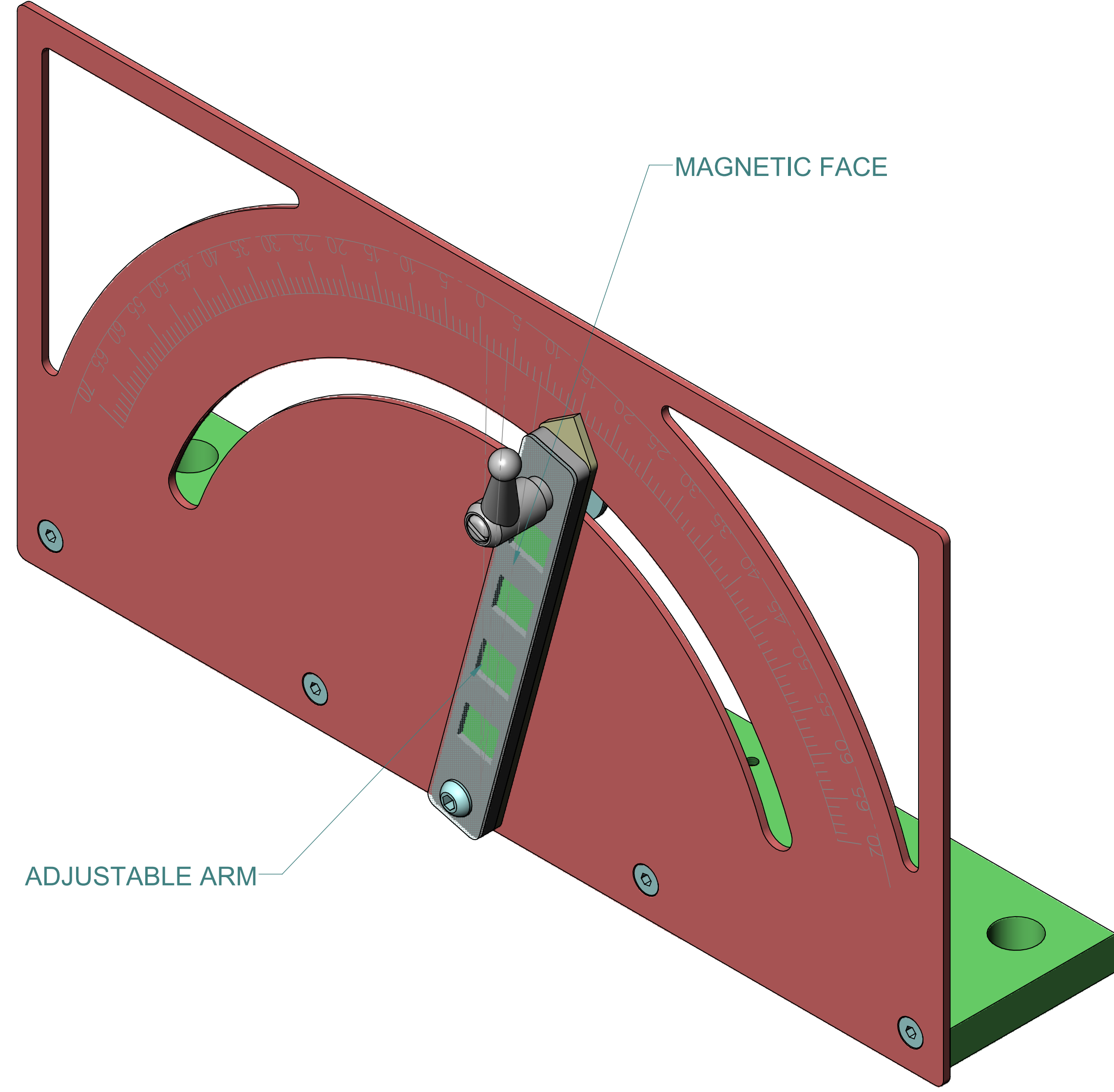


MAGNETIC FACE



APPROXIMATE WEIGHT: 5 LBS

ALL DIMENSIONS ARE IN INCHES EXCEPT AS NOTED.				SHEET 1 OF 1	
<small>This drawing and all of the elements thereof, including the design and principles of construction disclosed, is the sole and exclusive property of Industrial Magnetics, Inc. and is being submitted by Industrial Magnetics, Inc. for the limited purpose of assisting the designated recipient to evaluate the services of Industrial Magnetics, Inc. This drawing may not be used for any other purpose, nor may it be copied, reproduced, loaned, transferred, or communicated to any other person, either verbally or in writing, without the written consent of Industrial Magnetics, Inc.</small>					
TOLERANCES EXCEPT AS NOTED		RELEASE DATE	R & D	DESCRIPTION	
DECIMAL	ANGULAR	7/13/2018	SCALE	MAGNETIC SQUARING ARM	
.00" = ±.030"	±1°	D. DEWEY	FULL	INDUSTRIAL MAGNETICS, INC. 01385 M-75 SOUTH BOYNE CITY, MICHIGAN 49712-9689 (231) 582-3100	
.000" = ±.015"		E. PASCOE	DATE	PART NO.	DRAWING NO.
			9/26/2016	MSAP01	23757