

### FEATURES

- TORNADO FLUSH® system, high-efficiency (1.28 GPF/4.8 LPF)
- CEFIONTECT® ceramic glaze prevents debris and mold from sticking to ceramic surfaces
- Specially designed to accommodate a WASHLET®+
- Completely skirted design for a sleek and understated look that's easier to clean
- Universal Height
- Elongated front bowl and seat
- 12" Rough-in
- Chrome plated trip lever

### MODELS

- **MS642124CEFG** (#01, #03, #11, #12)  
With CEFIONTECT® ceramic glaze & includes SS124 SoftClose seat
- **MS642124CEF** (#51)  
Same as MS642124CEFG without CEFIONTECT ceramic glaze

### OPTIONAL COMPONENTS

- **TSU10W.14**  
14" Unifit Rough-in
- **THU750#01**  
Trip Lever - Cotton
- **THU750#BN**  
Trip Lever - Brushed Nickel
- **THU750#PN**  
Trip Lever - Polished Nickel

### COLORS/FINISHES

- |                    |                      |                      |
|--------------------|----------------------|----------------------|
| • #01 Cotton       | <b>Made to Order</b> | • #03 Bone           |
| • #12 Sedona Beige |                      | • #11 Colonial White |
|                    |                      | • #51 Ebony          |

### PRODUCT SPECIFICATION

The one-piece high-efficiency TORNADO FLUSH system toilet shall be 1.28 GPF/4.8 LPF. Toilet shall be 12" Unifit rough-in. Toilet shall have optional CEFIONTECT ceramic glaze and be at Universal Height. Toilet shall have elongated front bowl with SoftClose seat and Polished Chrome trip lever. Toilet shall be TOTO Model MS642124CEF\_\_\_\_\_.



- **TORNADO FLUSH**
- **Skirted Design**
- **CEFIONTECT**
- **Universal Height**

### CODES/STANDARDS

- Meets or exceeds ASME A112.19.2/CSA B45.1
- Certifications: IAPMO(cUPC), EPA Watersense, State of Massachusetts, City of Los Angeles, and others
- Code compliance: UPC, IPC, NSPC, NPC Canada, and others
- Legislative Compliance: California AB715, California Green Building Code, City of Los Angeles Water Efficiency Ordinance
- ADA compliant (when installed with trip lever located on the approach side)
- Complies with CA Prop 65 warning requirements



# MS642124CEF(G)

## Nexus® One-Piece Toilet, 1.28 GPF

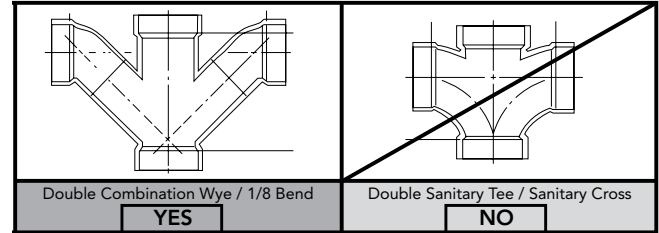
### SPECIFICATIONS

<b>Water Use</b>	1.28 GPF (4.8 LPF)
<b>Flush System</b>	TORNADO FLUSH®
<b>Min. Water Pressure</b>	8 psi (Static)
<b>Water Surface</b>	6-5/8" x 9-1/8"
<b>Trap Diameter</b>	2-1/8"
<b>Rough-in</b>	12" (14" Optional)
<b>Trap Seal</b>	2-1/4"
<b>Warranty</b>	One Year Limited Warranty
<b>Material</b>	Vitreous China
<b>Shipping Weight</b>	117 lbs
<b>Shipping Dimensions</b>	18-1/2"W x 21-3/4" H1 x 27-1/2" H2 x 29-1/2" L

### INSTALLATION NOTES

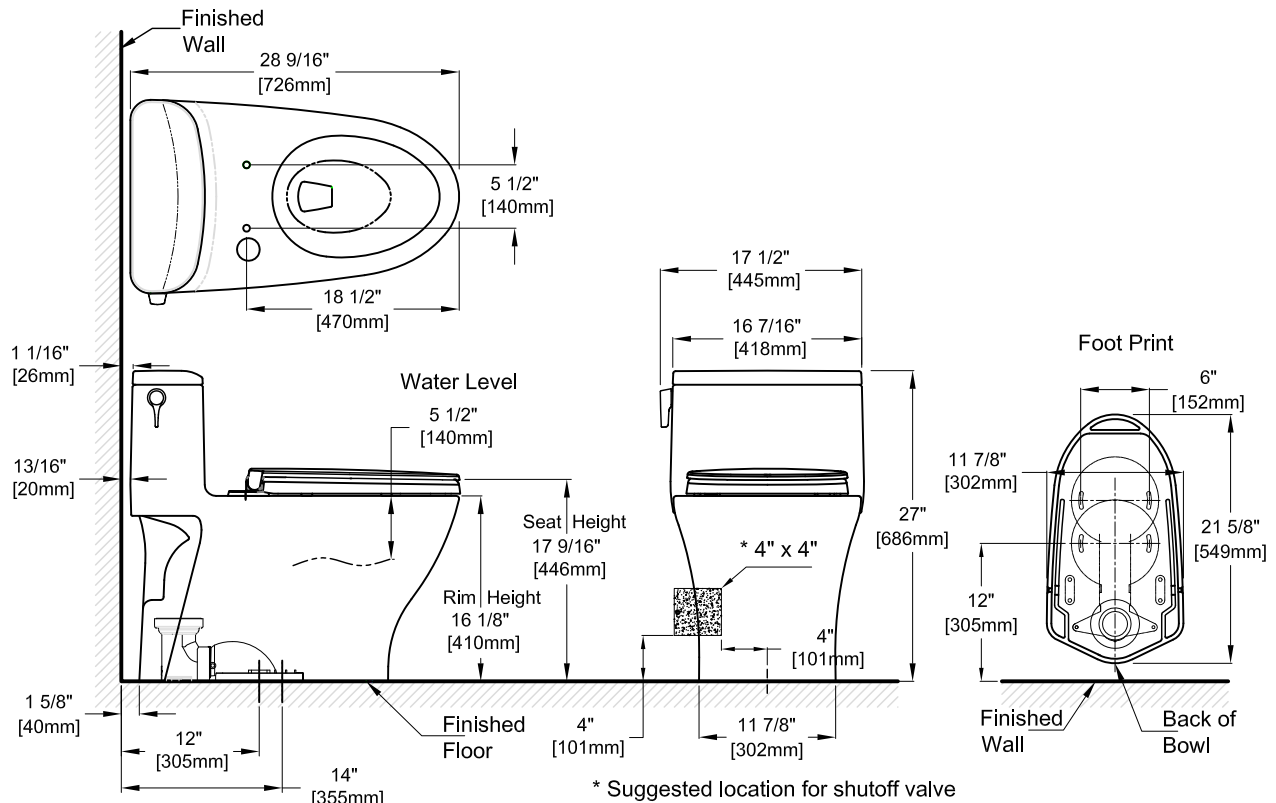
#### Back-to-Back Toilet Installations:

TOTO recommends the use of a nationally listed, double sanitary tee-wye only, in vertical waste stacks, in accordance with the stipulations noted in the majority of nationally recognized plumbing codes.



To maintain adequate wall gap between the back of the tank and wall, mount the floor flange at a nominal 12" rough-in distance.

### DIMENSIONS



**TOTO®**

*These dimensions and specifications are subject to change without notice*