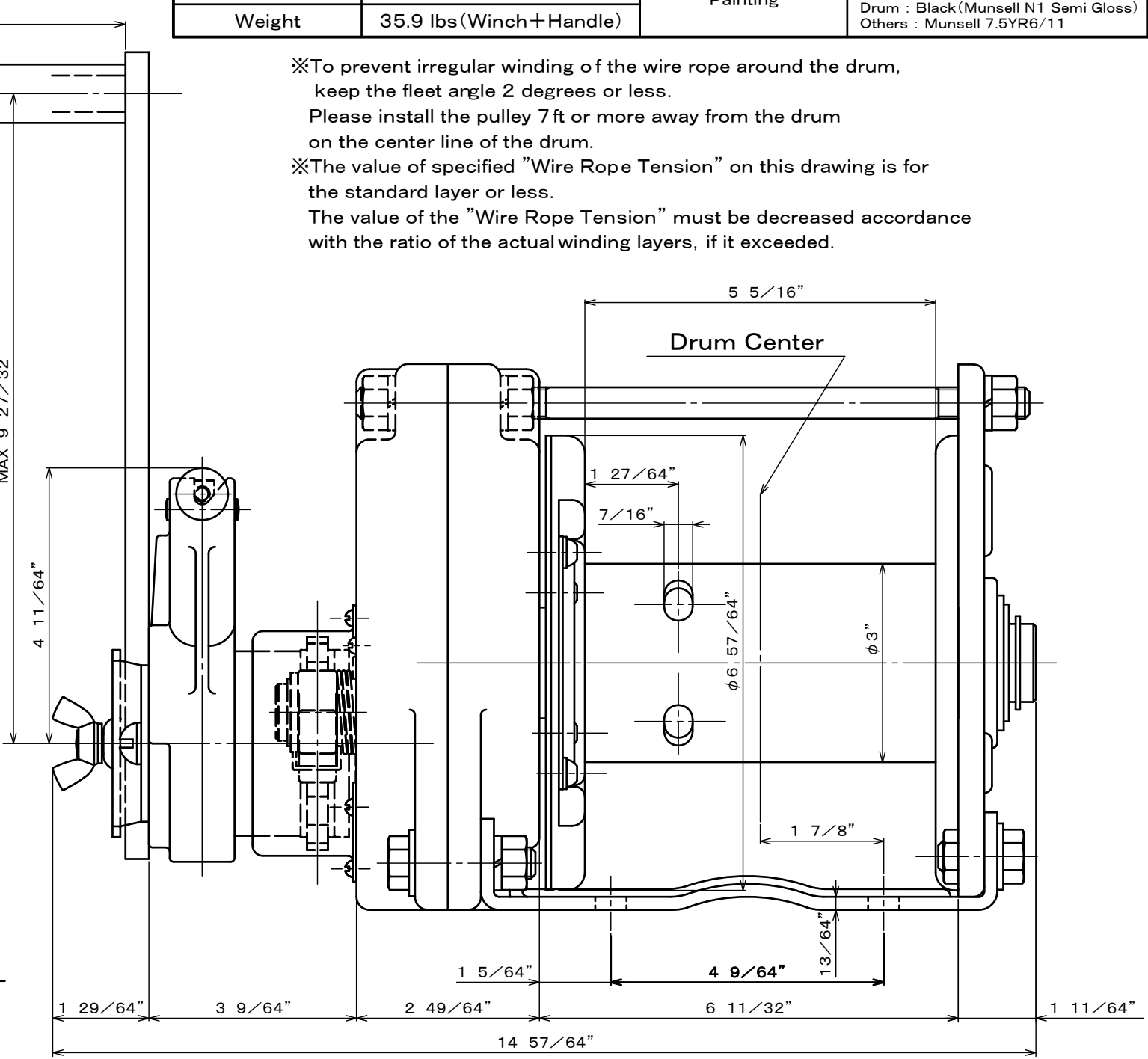
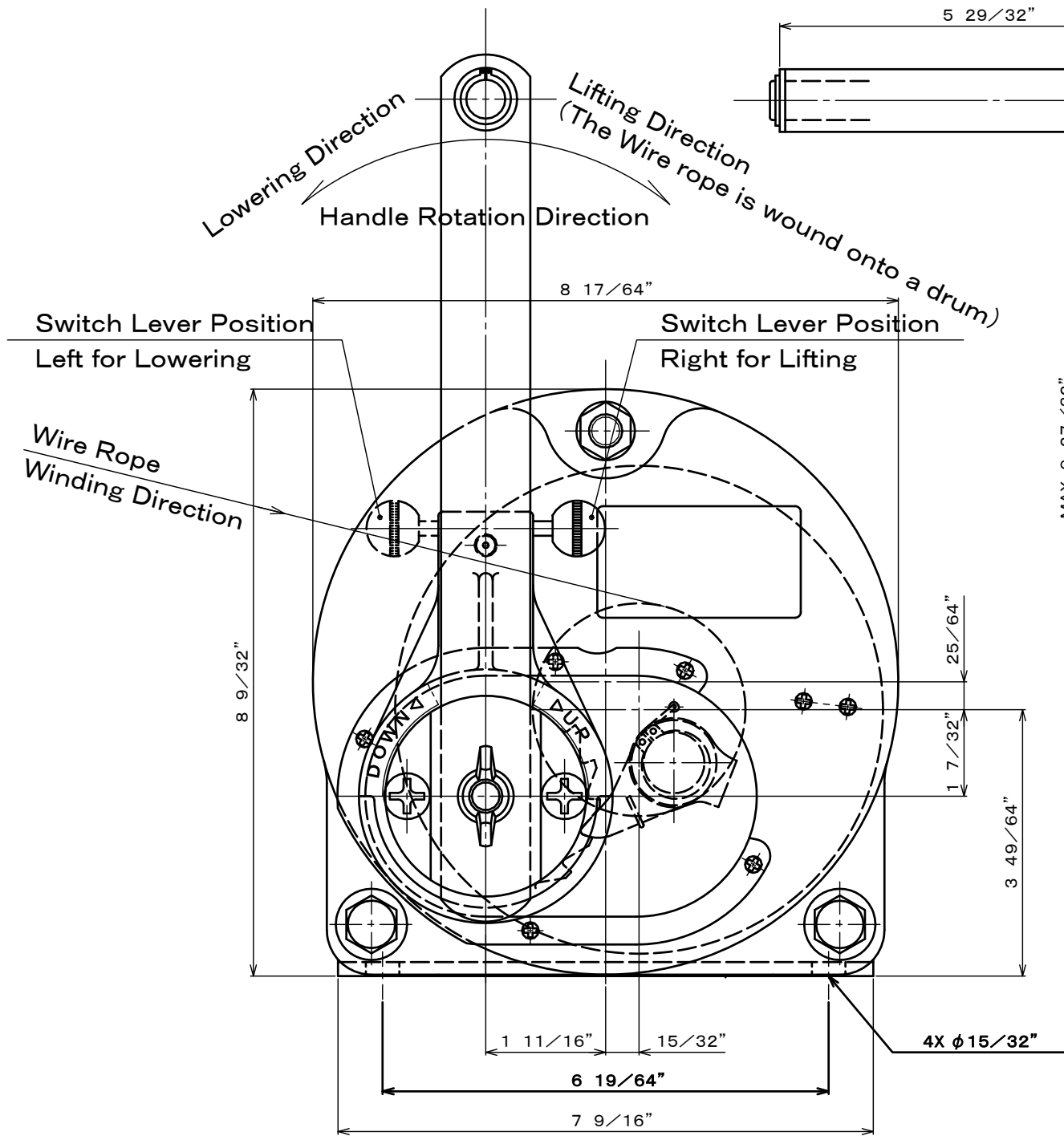


Specifications		(The wire rope composition is a manufacturer recommendation.)		
Load Rating	1,100 lbs (=500 kgf)	Handle Force	Handle Length	Number of Wire Rope Winding Layer
Wire Rope Tension	5th Layer(Standard Layer)		9 27/32"	
Drum Capacity	Wire Rope 6-Layer Windings φ 1/4" (6 × 36) × 131 ft		Wire Rope Tension	3rd Layer 31.7lbs(=14.4kgf)
Gear Ratio	1/8.9	Standard Accesories		5th Layer 39.0lbs(=17.7kgf)
Effective Handle Length	9 27/32" (Maximum)	Painting		One Handle
Weight	35.9 lbs (Winch+Handle)			One Hex Wrench for Anchoring the Wire Rope
				Melamine Resin Coating At Two Layers
				Painting Color
				Drum : Black (Munsell N1 Semi Gloss)
				Others : Munsell 7.5YR6/11

※To prevent irregular winding of the wire rope around the drum, keep the fleet angle 2 degrees or less. Please install the pulley 7 ft or more away from the drum on the center line of the drum.

※The value of specified "Wire Rope Tension" on this drawing is for the standard layer or less. The value of the "Wire Rope Tension" must be decreased accordance with the ratio of the actual winding layers, if it exceeded.



4 ×		図面番号/DRAWING No.	MR5SI-180402-01U	改訂番号/REVISION No.	00	お客様/CUSTOMER		符号/MARK	項目/PARTICULARS	材料/MATERIAL	数量/QTY	単体重量(kg)/TOTAL WEIGHT	備考/REMARKS
3 ×		承認/APPROVED	設計部	検閲/CHECKED	設計部	作成/DRAWN	設計部	投影法/PROJECTION METHOD	第三角法/THIRD ANGLE PROJECTION	尺度/SCALE	台数/QTY		
2 ×			'18.04.05		'18.04.05		'18.04.05						
1 ×			米澤		松嶺		武松						
改訂/REVISION								MAXPULL WINCH STOPPER ARMLESS RATCHET TYPE MODEL MR-5-SI				MAXPULL MACHINERY & ENGINEERING CO., LTD. マックスプル工業株式会社	